



SERVICE MANUAL

SERVICE MANUAL

MODELS : T515C/T515CT

SERVICE MANUAL

**T515C/
T515CT**

DVD VIDEO PLAYER

T515C/T515CT
DVD VIDEO PLAYER

T515C/T515CT

T515C/T515CT
DVD VIDEO PLAYER

© NAD 2006

**NAD ELECTRONICS INTERNATIONAL
TORONTO**

CONTENTS

SECTION 1SUMMARY

SECTION 2CABINET & MAIN CHASSIS

SECTION 3ELECTRICAL

SECTION 4a. . . .REPLACEMENT PARTS LIST C

SECTION 4b. . . .REPLACEMENT PARTS LIST CT

SECTION 1

SUMMARY

CONTENTS

PRODUCT SAFETY SERVICING GUIDELINES FOR VIDEO PRODUCTS	1-3
SERVICING PRECAUTIONS	1-4
• General Servicing Precautions	
• Insulation Checking Prodedure	
• Electrostatically Sensitive Devices	
SERVICE INFORMATION FOR EEPROM	1-5
SPECIFICATIONS	1-6

PRODUCT SAFETY SERVICING GUIDELINES FOR VIDEO PRODUCTS

CAUTION : DO NOT ATTEMPT TO MODIFY THIS PRODUCT IN ANY WAY, NEVER PERFORM CUSTOMIZED INSTALLATIONS WITHOUT MANUFACTURER'S APPROVAL. UNAUTHORIZED MODIFICATIONS WILL NOT ONLY VOID THE WARRANTY, BUT MAY LEAD TO YOUR BEING LIABLE FOR ANY RESULTING PROPERTY DAMAGE OR USER INJURY.

SERVICE WORK SHOULD BE PERFORMED ONLY AFTER YOU ARE THOROUGHLY FAMILIAR WITH ALL OF THE FOLLOWING SAFETY CHECKS AND SERVICING GUIDELINES. TO DO OTHERWISE, INCREASES THE RISK OF POTENTIAL HAZARDS AND INJURY TO THE USER.

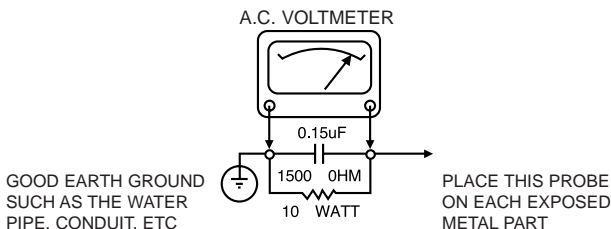
WHILE SERVICING, USE AN ISOLATION TRANSFORMER FOR PROTECTION FROM A.C. LINE SHOCK.

SAFETY CHECKS

AFTER THE ORIGINAL SERVICE PROBLEM HAS BEEN CORRECTED, A CHECK SHOULD BE MADE OF THE FOLLOWING.

SUBJECT : FIRE & SHOCK HAZARD

1. BE SURE THAT ALL COMPONENTS ARE POSITIONED IN SUCH A WAY AS TO AVOID POSSIBILITY OF ADJACENT COMPONENT SHORTS. THIS IS ESPECIALLY IMPORTANT ON THOSE MODULES WHICH ARE TRANSPORTED TO AND FROM THE REPAIR SHOP.
2. NEVER RELEASE A REPAIR UNLESS ALL PROTECTIVE DEVICES SUCH AS INSULATORS, BARRIERS, COVERS, SHIELDS, STRAIN RELIEFS, POWER SUPPLY CORDS, AND OTHER HARDWARE HAVE BEEN REINSTALLED PER ORIGINAL DESIGN. BE SURE THAT THE SAFETY PURPOSE OF THE POLARIZED LINE PLUG HAS NOT BEEN DEFEATED.
3. SOLDERING MUST BE INSPECTED TO DISCOVER POSSIBLE COLD SOLDER JOINTS, SOLDER SPLASHES OR SHARP SOLDER POINTS. BE CERTAIN TO REMOVE ALL LOOSE FOREIGN PARTICLES.
4. CHECK FOR PHYSICAL EVIDENCE OF DAMAGE OR DETERIORATION TO PARTS AND COMPONENTS. FOR FRAYED LEADS, DAMAGED INSULATION (INCLUDING A.C. CORD), AND REPLACE IF NECESSARY FOLLOW ORIGINAL LAYOUT, LEAD LENGTH AND DRESS.
5. NO LEAD OR COMPONENT SHOULD TOUCH A RECEIVING TUBE OR A RESISTOR RATED AT 1 WATT OR MORE. LEAD TENSION AROUND PROTRUDING METAL SURFACES MUST BE AVOIDED.
6. ALL CRITICAL COMPONENTS SUCH AS FUSES, FLAMEPROOF RESISTORS, CAPACITORS, ETC. MUST BE REPLACED WITH EXACT FACTORY TYPES, DO NOT USE REPLACEMENT COMPONENTS OTHER THAN THOSE SPECIFIED OR MAKE UNRECOMMENDED CIRCUIT MODIFICATIONS.
7. AFTER RE-ASSEMBLY OF THE SET ALWAYS PERFORM AN A.C. LEAKAGE TEST ON ALL EXPOSED METALLIC PARTS OF THE CABINET, (THE CHANNEL SELECTOR KNOB, ANTENNA TERMINALS, HANDLE AND SCREWS) TO BE SURE THE SET IS SAFE TO OPERATE WITHOUT DANGER OF ELECTRICAL SHOCK. DO NOT USE A LINE ISOLATION TRANSFORMER DURING THIS TEST USE AN A.C. VOLT-METER, HAVING 5000 OHMS PER VOLT OR MORE SENSITIVITY, IN THE FOLLOWING MANNER; CONNECT A 1500 OHM 10 WATT RESISTOR, PARALLELED BY A .15 MFD. 150.V A.C TYPE CAPACITOR BETWEEN A KNOWN GOOD EARTH GROUND (WATER PIPE, CONDUIT, ETC.) AND THE EXPOSED METALLIC PARTS, ONE AT A TIME. MEASURE THE A.C. VOLTAGE ACROSS THE COMBINATION OF 1500 OHM RESISTOR AND .15 MFD CAPACITOR. REVERSE THE A.C. PLUG AND REPEAT A.C. VOLTAGE MEASUREMENTS FOR EACH EXPOSED METALLIC PART. VOLTAGE MEASURED MUST NOT EXCEED 75 VOLTS R.M.S. THIS CORRESPONDS TO 0.5 MILLIAMPS A.C ANY VALUE EXCEEDING THIS LIMIT CONSTITUTES A POTENTIAL SHOCK HAZARD AND MUST BE CORRECTED IMMEDIATELY.



SUBJECT: GRAPHIC SYMBOLS



THE LIGHTNING FLASH WITH ARROWHEAD SYMBOL, WITHIN AN EQUILATERAL TRIANGLE, IS INTENDED TO ALERT THE SERVICE PERSONNEL TO THE PRESENCE OF UNINSULATED "DANGEROUS VOLTAGE" THAT MAY BE OF SUFFICIENT MAGNITUDE TO CONSTITUTE A RISK OF ELECTRIC SHOCK.



THE EXCLAMATION POINT WITHIN AN EQUILATERAL TRIANGLE IS INTENDED TO ALERT THE SERVICE PERSONNEL TO THE PRESENCE OF IMPORTANT SAFETY INFORMATION IN SERVICE LITERATURE.

SUBJECT : X-RADIATION

1. BE SURE PROCEDURES AND INSTRUCTIONS TO ALL SERVICE PERSONNEL COVER THE SUBJECT OF X-RADIATION. THE ONLY POTENTIAL SOURCE OF X-RAYS IN CURRENT T.V. RECEIVERS IS THE PICTURE TUBE. HOWEVER, THIS TUBE DOES NOT EMIT X-RAYS WHEN THE HIGH VOLTAGE IS AT THE FACTORY SPECIFIED LEVEL. THE PROPER VALUE IS GIVEN IN THE APPLICABLE SCHEMATIC. OPERATION AT HIGHER VOLTAGES MAY CAUSE A FAILURE OF THE PICTURE TUBE OR HIGH VOLTAGE SUPPLY AND, UNDER CERTAIN CIRCUMSTANCES, MAY PRODUCE RADIATION IN EXCESS OF DESIRABLE LEVELS.
2. ONLY FACTORY SPECIFIED C.R.T. ANODE CONNECTORS MUST BE USED. DEGAUSSING SHIELDS ALSO SERVE AS X-RAY SHIELD IN COLOR SETS, ALWAYS RE-INSTALL THEM.
3. IT IS ESSENTIAL THAT SERVICE PERSONNEL HAVE AVAILABLE AN ACCURATE AND RELIABLE HIGH VOLTAGE METER. THE CALIBRATION OF THE METER SHOULD BE CHECKED PERIODICALLY AGAINST A REFERENCE STANDARD, SUCH AS THE ONE AVAILABLE AT YOUR DISTRIBUTOR.
4. WHEN THE HIGH VOLTAGE CIRCUITRY IS OPERATING PROPERLY THERE IS NO POSSIBILITY OF AN X-RADIATION PROBLEM. EVERY TIME A COLOR CHASSIS IS SERVICED, THE BRIGHTNESS SHOULD BE RUN UP AND DOWN WHILE MONITORING THE HIGH VOLTAGE WITH A METER TO BE CERTAIN THAT THE HIGH VOLTAGE DOES NOT EXCEED THE SPECIFIED VALUE AND THAT IT IS REGULATING CORRECTLY, WE SUGGEST THAT YOU AND YOUR SERVICE ORGANIZATION REVIEW TEST PROCEDURES SO THAT VOLTAGE REGULATION IS ALWAYS CHECKED AS A STANDARD SERVICING PROCEDURE. AND THAT THE HIGH VOLTAGE READING BE RECORDED ON EACH CUSTOMER'S INVOICE.
5. WHEN TROUBLESHOOTING AND MAKING TEST MEASUREMENTS IN A PRODUCT WITH A PROBLEM OF EXCESSIVE HIGH VOLTAGE, AVOID BEING UNNECESSARILY CLOSE TO THE PICTURE TUBE AND THE HIGH VOLTAGE SUPPLY. DO NOT OPERATE THE PRODUCT LONGER THAN IS NECESSARY TO LOCATE THE CAUSE OF EXCESSIVE VOLTAGE.
6. REFER TO HV. B+ AND SHUTDOWN ADJUSTMENT PROCEDURES DESCRIBED IN THE APPROPRIATE SCHEMATIC AND DIAGRAMS (WHERE USED).

SUBJECT: IMPLOSION

1. ALL DIRECT VIEWED PICTURE TUBES ARE EQUIPPED WITH AN INTEGRAL IMPLOSION PROTECTION SYSTEM, BUT CARE SHOULD BE TAKEN TO AVOID DAMAGE DURING INSTALLATION, AVOID SCRATCHING THE TUBE. IF SCRATCHED REPLACE IT.
2. USE ONLY RECOMMENDED FACTORY REPLACEMENT TUBES.

SUBJECT : TIPS ON PROPER INSTALLATION

1. NEVER INSTALL ANY PRODUCT IN A CLOSED-IN RECESS, CUBBY-HOLE OR CLOSELY FITTING SHELF SPACE. OVER OR CLOSE TO HEAT DUCT, OR IN THE PATH OF HEATED AIR FLOW.
2. AVOID CONDITIONS OF HIGH HUMIDITY SUCH AS: OUTDOOR PATIO INSTALLATIONS WHERE DEW IS A FACTOR, NEAR STEAM RADIATORS WHERE STEAM LEAKAGE IS A FACTOR, ETC.
3. AVOID PALCEMENT WHERE DRAPERIES MAY OBSTRUCT REAR VENTING. THE CUSTOMER SHOULD ALSO AVOID THE USE OF DECORATIVE SCARVES OR OTHER COVERINGS WHICH MIGHT OBSTRUCT VENTILATION.
4. WALL AND SHELF MOUNTED INSTALLATIONS USING A COMMERCIAL MOUNTING KIT. MUST FOLLOW THE FACTORY APPROVED MOUNTING INSTRUCTIONS A PRODUCT MOUNTED TO A SHELF OR PLATFORM MUST RETAIN ITS ORIGINAL FEET (OR THE EQUIVALENT THICKNESS IN SPACERS) TO PROVIDE ADEQUATE AIR FLOW ACROSS THE BOTTOM, BOLTS OR SCREWS USED FOR FASTENERS MUST NOT TOUCH ANY PARTS OR WIRING. PERFORM LEAKAGE TEST ON CUSTOMIZED INSTALLATIONS.
5. CAUTION CUSTOMERS AGAINST THE MOUNTING OF A PRODUCT ON SLOPING SHELF OR A TILTED POSITION, UNLESS THE PRODUCT IS PROPERLY SECURED.
6. A PRODUCT ON A ROLL-ABOUT CART SHOULD BE STABLE ON ITS MOUNTING TO THE CART. CAUTION THE CUSTOMER ON THE HAZARDS OF TRYING TO ROLL A CART WITH SMALL CASTERS ACROSS THRESHOLDS OR DEEP PILE CARPETS.
7. CAUTION CUSTOMERS AGAINST THE USE OF A CART OR STAND WHICH HAS NOT BEEN LISTED BY UNDERWRITERS LABORATORIES, INC. FOR USE WITH THEIR SPECIFIC MODEL OF TELEVISION RECEIVER OR GENERALLY APPROVED FOR USE WITH T.V.'S OF THE SAME OR LARGER SCREEN SIZE.
8. CAUTION CUSTOMERS AGAINST THE USE OF EXTENSION CORDS, EXPLAIN THAT A FOREST OF EXTENSIONS SPROUTING FROM A SINGLE OUTLET CAN LEAD TO DISASTROUS CONSEQUENCES TO HOME AND FAMILY.

SERVICING PRECAUTIONS

CAUTION : Before servicing the DVD covered by this service data and its supplements and addends, read and follow the **SAFETY PRECAUTIONS**. **NOTE :** if unforeseen circumstances create conflict between the following servicing precautions and any of the safety precautions in this publication, always follow the safety precautions.

Remembers Safety First:

General Servicing Precautions

1. Always unplug the DVD AC power cord from the AC power source before:
 - (1) Removing or reinstalling any component, circuit board, module, or any other assembly.
 - (2) Disconnection or reconnecting any internal electrical plug or other electrical connection.
 - (3) Connecting a test substitute in parallel with an electrolytic capacitor.
Caution : A wrong part substitution or incorrect polarity installation of electrolytic capacitors may result in an explosion hazard.
2. Do not spray chemicals on or near this DVD or any of its assemblies.
3. Unless specified otherwise in this service data, clean electrical contacts by applying an appropriate contact cleaning solution to the contacts with a pipe cleaner, cotton-tipped swab, or comparable soft applicator. Unless specified otherwise in this service data, lubrication of contacts is not required.
4. Do not defeat any plug/socket B+ voltage interlocks with which instruments covered by this service manual might be equipped.
5. Do not apply AC power to this DVD and/or any of its electrical assemblies unless all solid-state device heat sinks are correctly installed.
6. Always connect test instrument ground lead to the appropriate ground before connection the test instrument positive lead. Always remove the test instrument ground lead last.

Insulation Checking Procedure

Disconnect the attachment plug from the AC outlet and turn the power on. Connect an insulation resistance meter(500V) to the blades of the attachment plug. The insulation resistance between each blade of the attachment plug and accessible conductive parts (Note 1) should be more than 1M-ohm.

Note 1 : Accessible Conductive Parts including Metal panels, Input terminals, Earphone jacks, etc.

Electrostatically Sensitive (ES) Devices

Some semiconductor (solid state) devices can be damaged easily by static electricity. Such components commonly are called Electrostatically Sensitive (ES) Devices. Examples of typical ES devices are integrated circuits and some field effect transistors and semiconductor chip components.

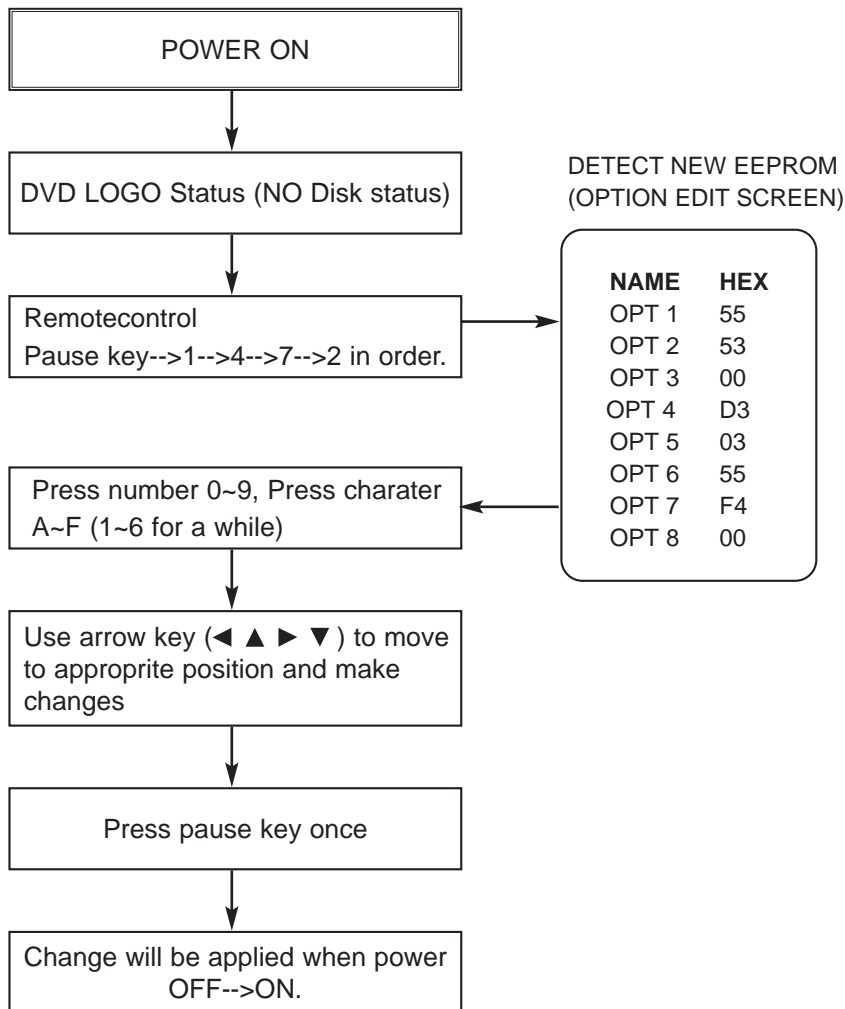
The following techniques should be used to help reduce the incidence of component damage caused by static electricity.

1. Immediately before handling any semiconductor component or semiconductor-equipped assembly, drain off any electrostatic charge on your body by touching a known earth ground. Alternatively, obtain and wear a commercially available discharging wrist strap device, which should be removed for potential shock reasons prior to applying power to the unit under test.
2. After removing an electrical assembly equipped with ES devices, place the assembly on a conductive surface such as aluminum foil, to prevent electrostatic charge buildup or exposure of the assembly.
3. Use only a grounded-tip soldering iron to solder or unsolder ES devices.
4. Use only an anti-static solder removal device. Some solder removal devices not classified a "anti-static" can generate electrical charges sufficient to damage ES devices.
5. Do not use freon-propelled chemicals. These can generate electrical charge sufficient to damage ES devices.
6. Do not remove a replacement ES device from its protective package until immediately before you are ready to install it. (Most replacement ES devices are packaged with leads electrically shorted together by conductive foam, aluminum foil, or comparable conductive material).
7. Immediately before removing the protective material from the leads of a replacement ES device, touch the protective material to the chassis or circuit assembly into which the device will be installed.

Caution : Be sure no power is applied to the chassis or circuit, and observe all other safety precautions.

8. Minimize bodily motions when handling unpackaged replacement ES devices. (Normally harmless motion such as the brushing together of your clothes fabric or the lifting of your foot from a carpeted floor can generate static electricity sufficient to damage an ES device.)

SERVICE INFORMATION FOR EEPROM



SPECIFICATIONS

• GENERAL

Power requirements	Power requirements: AC 120 V, 60 Hz NTSC Region 1, 200-240 50/60 Hz PAL Region 2
Power consumption	10 W
Dimensions (approx.)	435 x 45 x 250 mm (W x H x D) with feet and RCA plugs
Weight (approx.)	2 kg (4.4 lb)
Operating temperature	5 °C to 35 °C (41 °F to 95 °F)
Operating humidity	5 % to 90 %

• SYSTEM

Laser	Semiconductor laser, wavelength 650 nm
Signal system	NTSC for 120V North American version, NTSC/PAL for 230V European version
Frequency response	DVD (PCM 96 kHz): 8 Hz to 44 kHz DVD (PCM 48 kHz): 8 Hz to 22 kHz CD: 8 Hz to 20 kHz
Signal-to-noise ratio	More than 100 dB (ANALOG OUT connectors only)
Harmonic distortion	Less than 0.008%
Dynamic range	More than 90 dB (DVD/CD)

• OUTPUTS

VIDEO OUT	1 Vp-p 75 Ω, sync negative, RCA jack x 1
S-VIDEO OUT	(Y) 1.0 V (p-p), 75 Ω, negative sync, Mini DIN 4-pin x 1 (North American version only) (C) 0.3 V (p-p) 75 Ω
COMPONENT VIDEO OUT	(Y) 1.0 V (p-p), 75 Ω, negative sync, RCA jack x 1 (Cb/Pb)/(Cr/Pr) 0.7 V (p-p), 75 Ω, RCA jack x 2
AUDIO OUT	2.0 Vrms (1 KHz, 0 dB), 600 Ω, RCA jack (L, R) x 2
DIGITAL OUT (COAXIAL)	0.5 V (p-p), 75 Ω, RCA jack x 1
DIGITAL OUT (OPTICAL)	3 V (p-p), 75 Ω, Optical Connector x 1
DIGITAL OUT (HDMI)	2-channel 48 kHz PCM/Bitstream
HDMI VIDEO OUT	HDCP 480p (NTSC) HDCP 576p (PAL)

SECTION 2
CABINET & MAIN CHASSIS

CONTENTS

EXPLODED VIEWS2-2

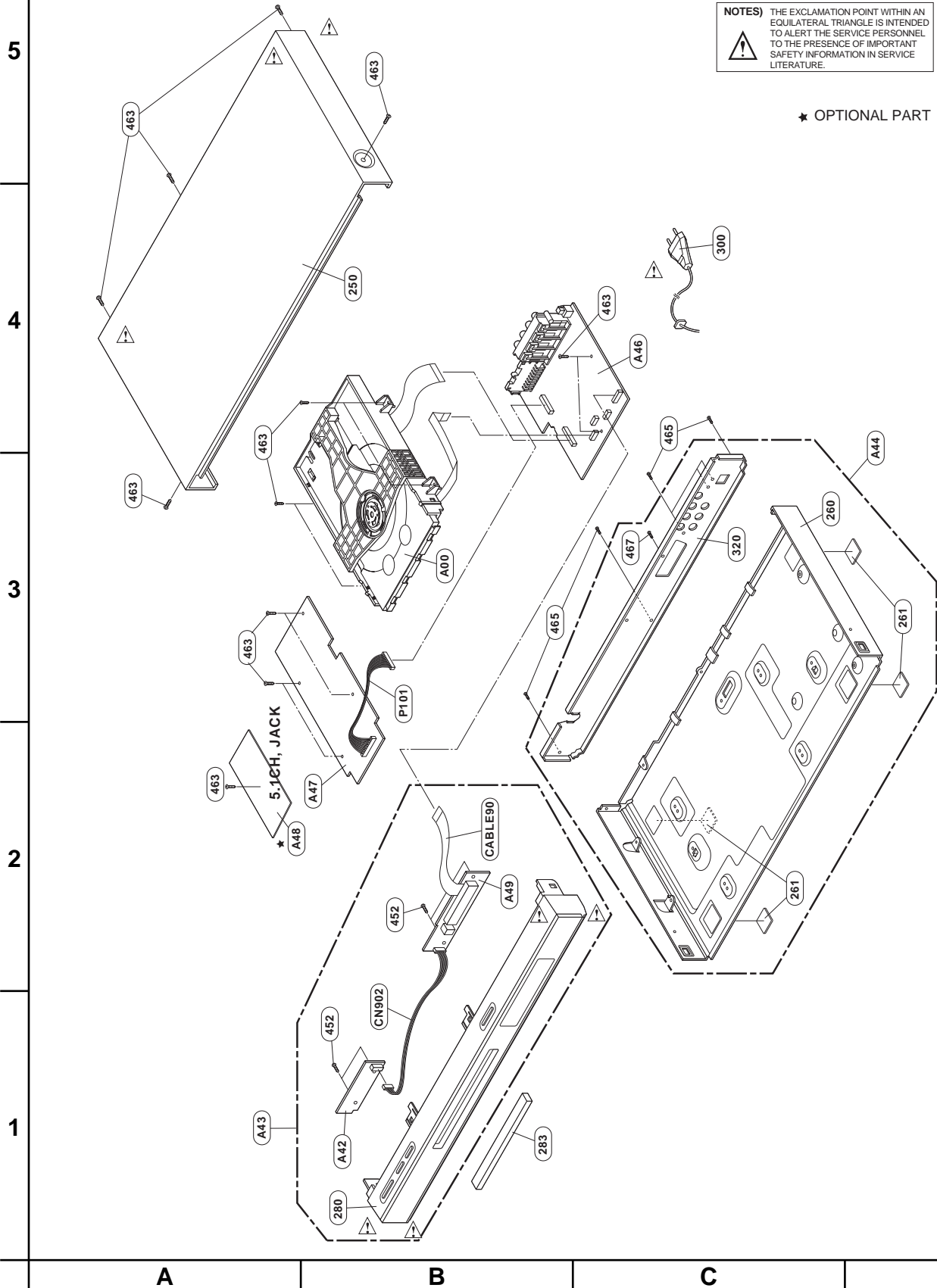
- 1. Cabinet and Main Frame Section2-2**
- 2. Deck Mechanism Section(DP-10).....2-3**
- 3. Packing Accessory Section2-4**

EXPLODED VIEWS

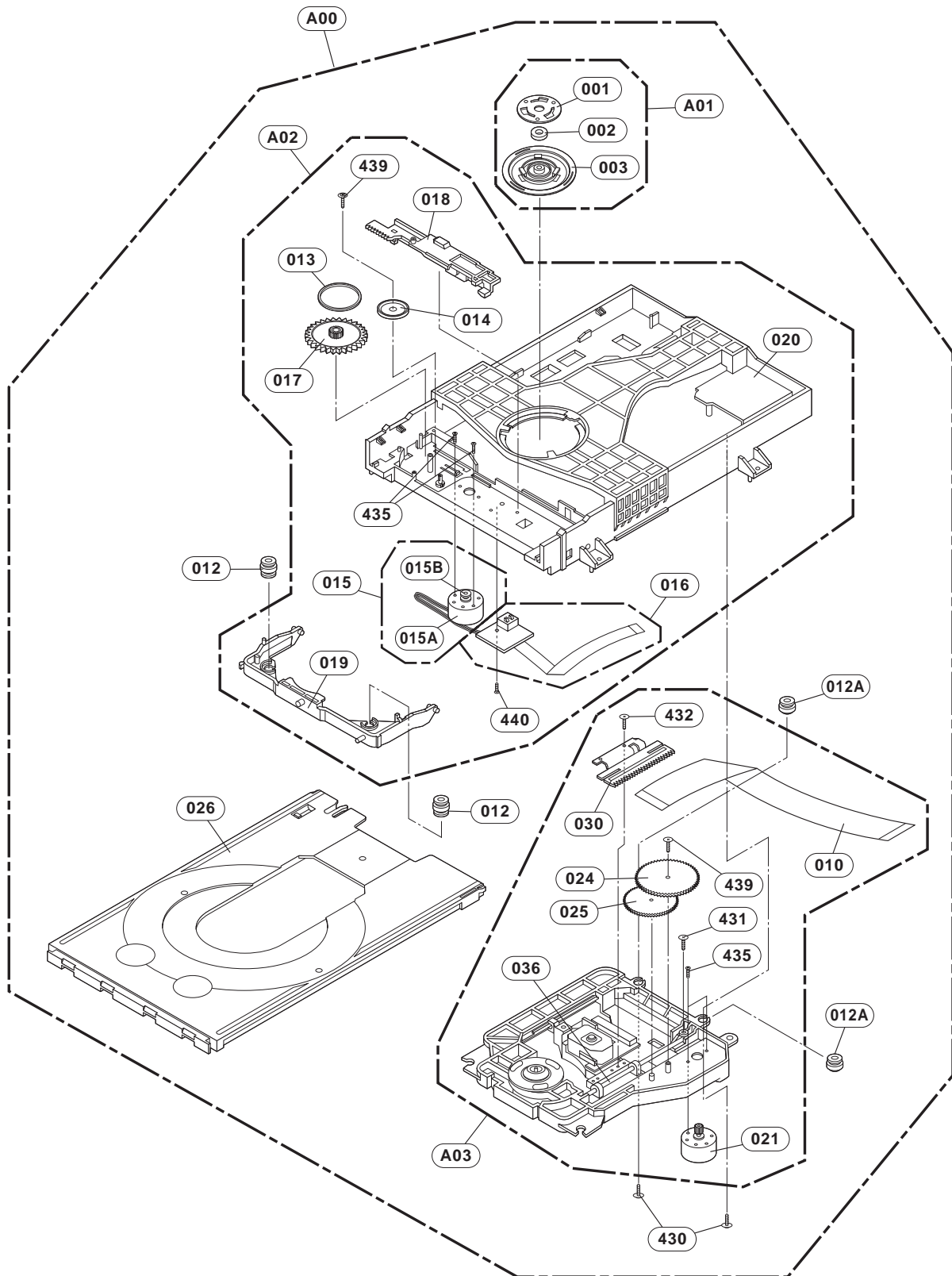
1. Cabinet and Main Frame Section

NOTES) THE EXCLAMATION POINT WITHIN AN EQUILATERAL TRIANGLE IS INTENDED TO ALERT THE SERVICE PERSONNEL TO THE PRESENCE OF IMPORTANT SAFETY INFORMATION IN SERVICE LITERATURE.

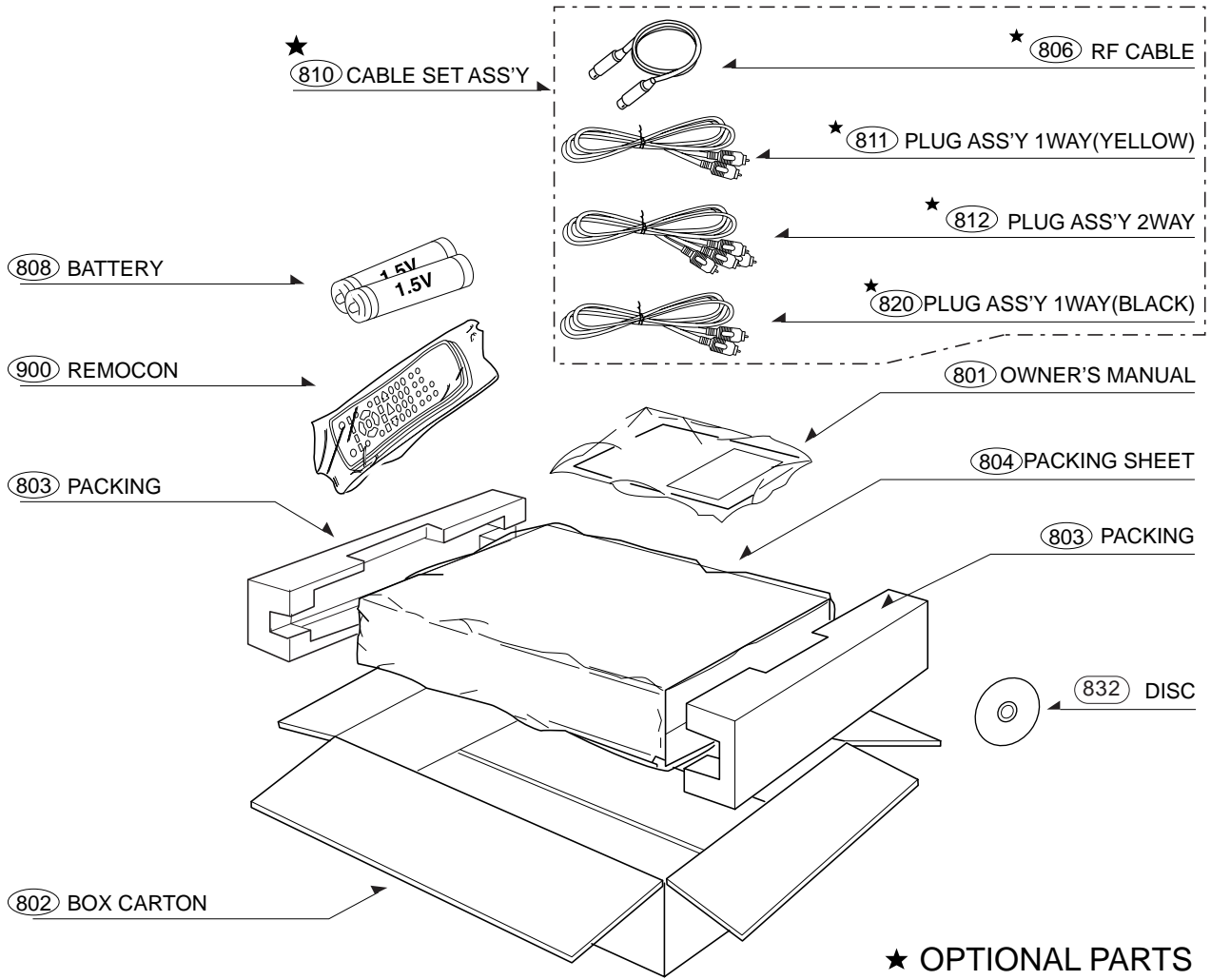
★ OPTIONAL PART



2. DECK MECHANISM SECTION(DP-10)



3. PACKING ACCESSORY SECTION

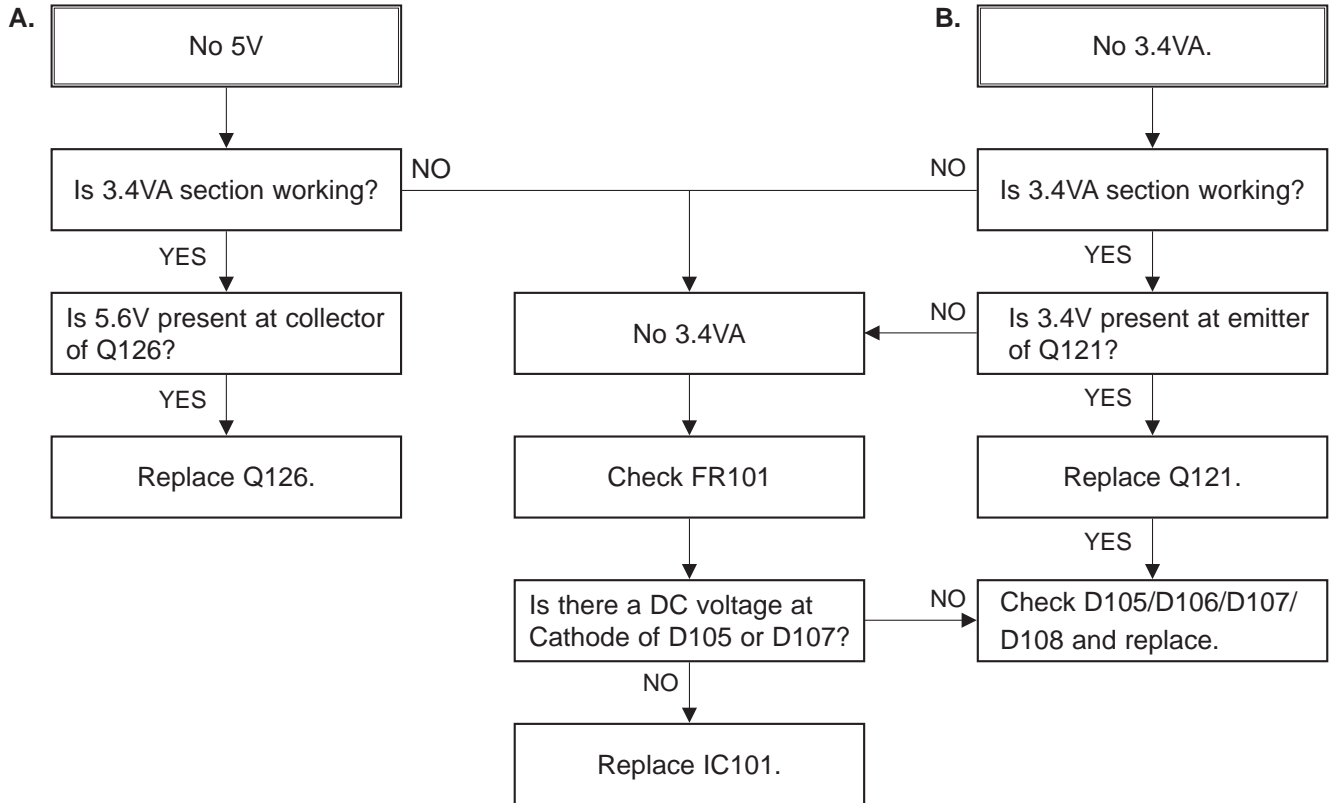


SECTION 3 ELECTRICAL CONTENTS

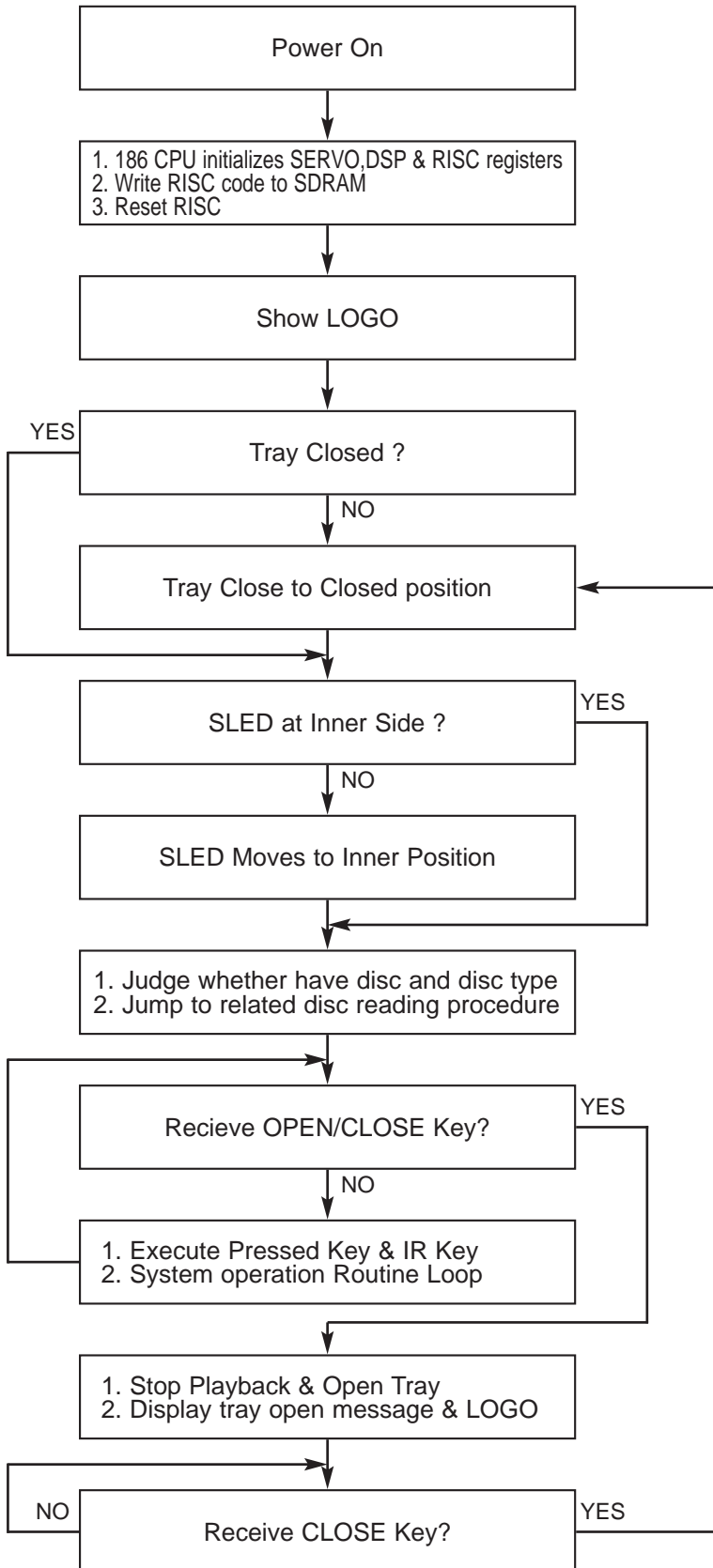
ELECTRICAL TROUBLESHOOTING GUIDE.....	3-2
1. POWER CHECK FLOW	3-2
2. SYSTEM OPERATION FLOW	3-3
3. TEST & DEBUG FLOW	3-4
4. KARAOKE FLOW (KARAOKE MODEL ONLY).....	3-10
DETAILS AND WAVEFORMS ON SYSTEM TEST AND DEBUGGING	3-11
1. SYSTEM 27MHZ CLOCK, RESET SIGNAL.....	3-11
2. SDRAM CLOCK.....	3-12
3. TRAY OPEN/CLOSE SIGNAL	3-12
4. SLED CONTROL RELATED SIGNAL(NO DISC CONDITION)	3-14
5. LENS CONTROL RELATED SIGNAL(NO DISC CONDITION)	3-14
6. LASER POWER CONTROL RELATED SIGNAL(NO DISC CONDITION).....	3-15
7. DISC TYPE JUDGEMENT WAVEFORM	3-15
8. FOCUS ON WAVEFORM.....	3-17
9. SPINDLE CONTROL WAVEFORM(NO DISC CONDITION	3-18
10. TRACKING CONTROL RELATED SIGNAL(SYSTEM CHECKING)	3-19
11. RF WAVEFORM	3-20
12. ZR36888 AUDIO OPTICAL AND COAXIAL OUTPUT(SPDIF).....	3-20
13. ZR36888 VIDEO OUTPUT WAVEFORM.....	3-21
14. AUDIO OUTPUT FROM AUDIO DAC	3-22
BLOCK DIAGRAMS	3-24
1. OVERALL BLOCK DIAGRAM.....	3-24
2. POWER(SMPS) BLOCK DIAGRAM.....	3-25
3. SERVO BLOCK DIAGRAM	3-26
4. MPEG & MEMORY BLOCK DIAGRAM	3-27
5. VIDEO & AUDIO BLOCK DIAGRAM	3-28
CIRCUIT DIAGRAMS	3-29
1. POWER(SMPS) CIRCUIT DIAGRAM.....	3-29
2. SYSTEM(MAIN) CIRCUIT DIAGRAM.....	3-31
3. SERVO CIRCUIT DIAGRAM	3-33
4. AV/JACKCIRCUIT DIAGRAM.....	3-35
5. MEMORY CARD CIRCUIT DIAGRAM	3-37
6. TIMER CIRCUIT DIAGRAM.....	3-39
7. KARAOKE CIRCUIT DIAGRAM (KARAOKE MODEL ONLY)	3-41
• CIRCUIT VOLTAGE CHART	3-43
PRINTED CIRCUIT DIAGRAMS	3-45
1. MAIN P.C.BOARD	3-45
2. KEY P.C.BOARD.....	3-47
3. TIMER P.C.BOARD	3-48
4. SCART P.C.BOARD.....	3-49
5. SMPS P.C.BOARD	3-50
6. KARAOKE P.C.BOARD(KARAOKE MODEL ONLY)(6, 7, 9 TOOL).....	3-51

ELECTRICAL TROUBLESHOOTING GUIDE

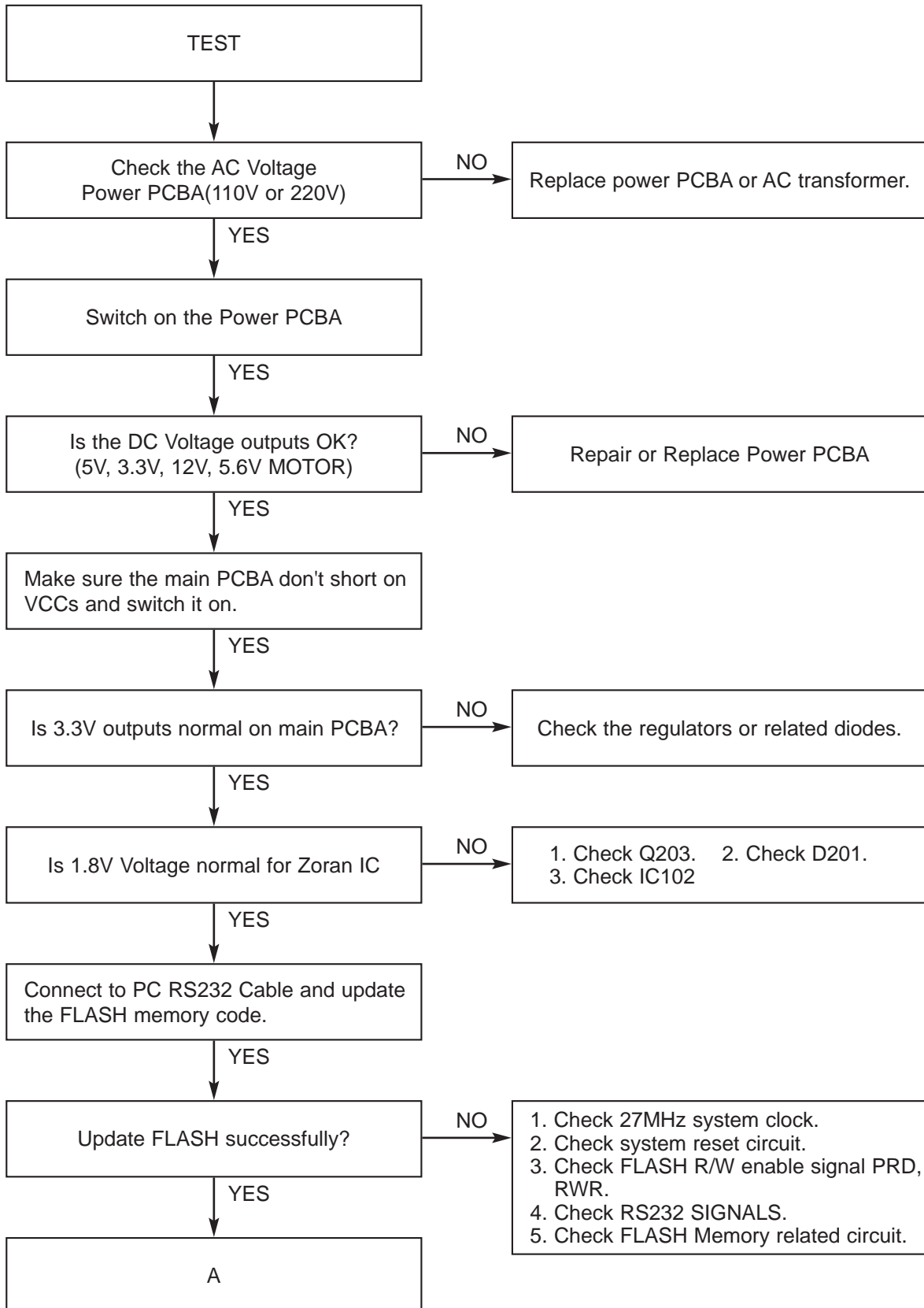
1. POWER CHECK FLOW

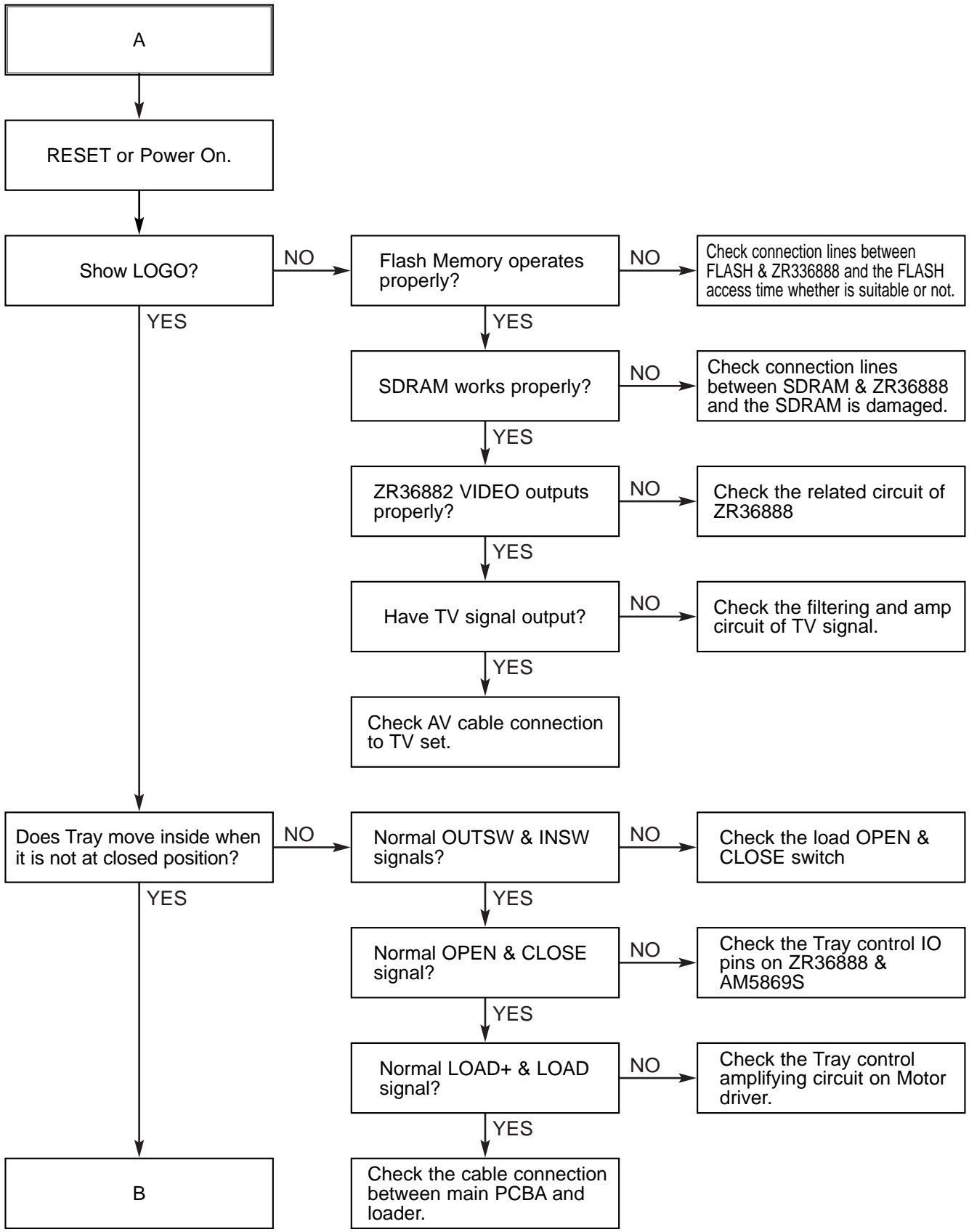


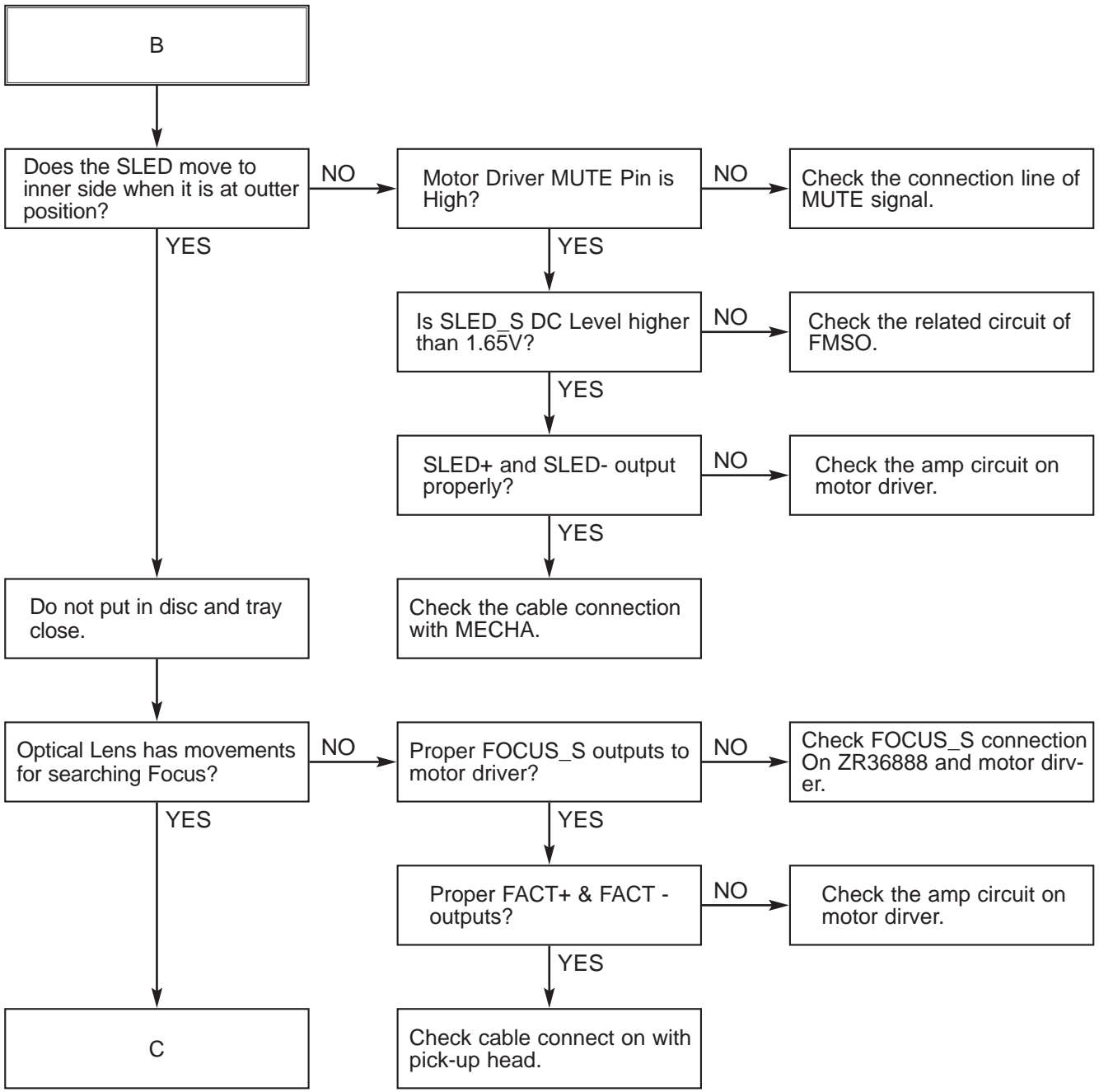
2. SYSTEM OPERATION FLOW

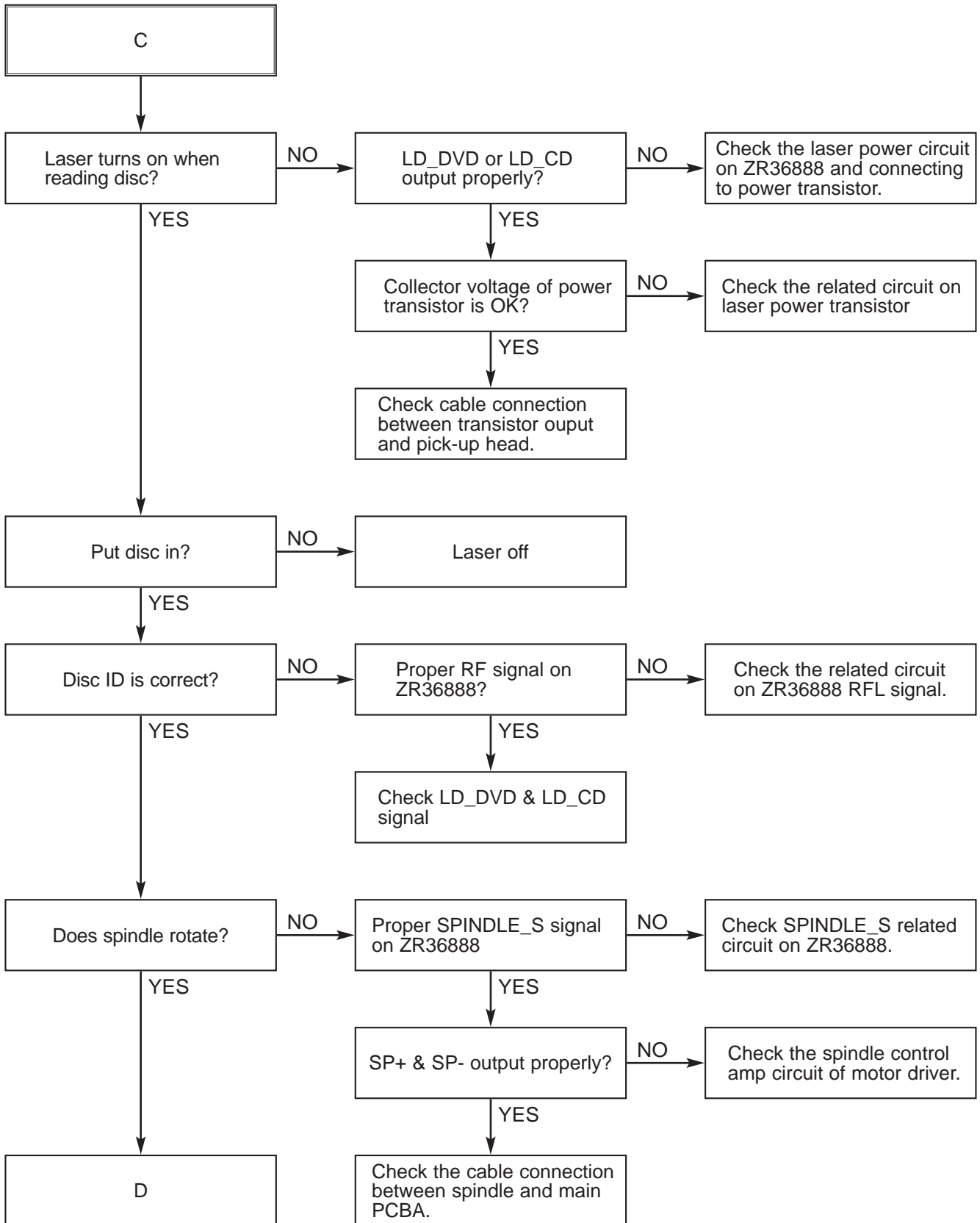


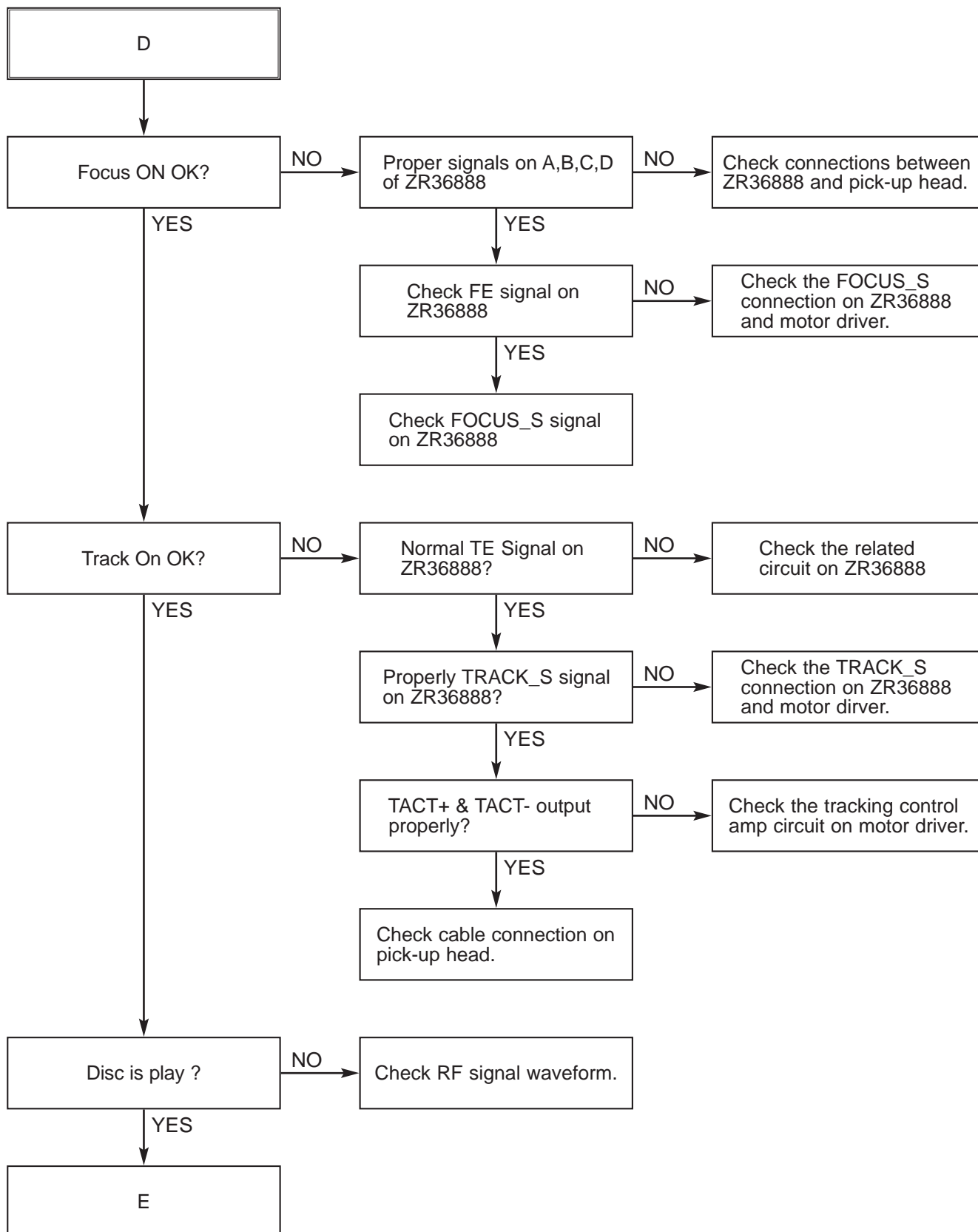
3. TEST & DEBUG FLOW

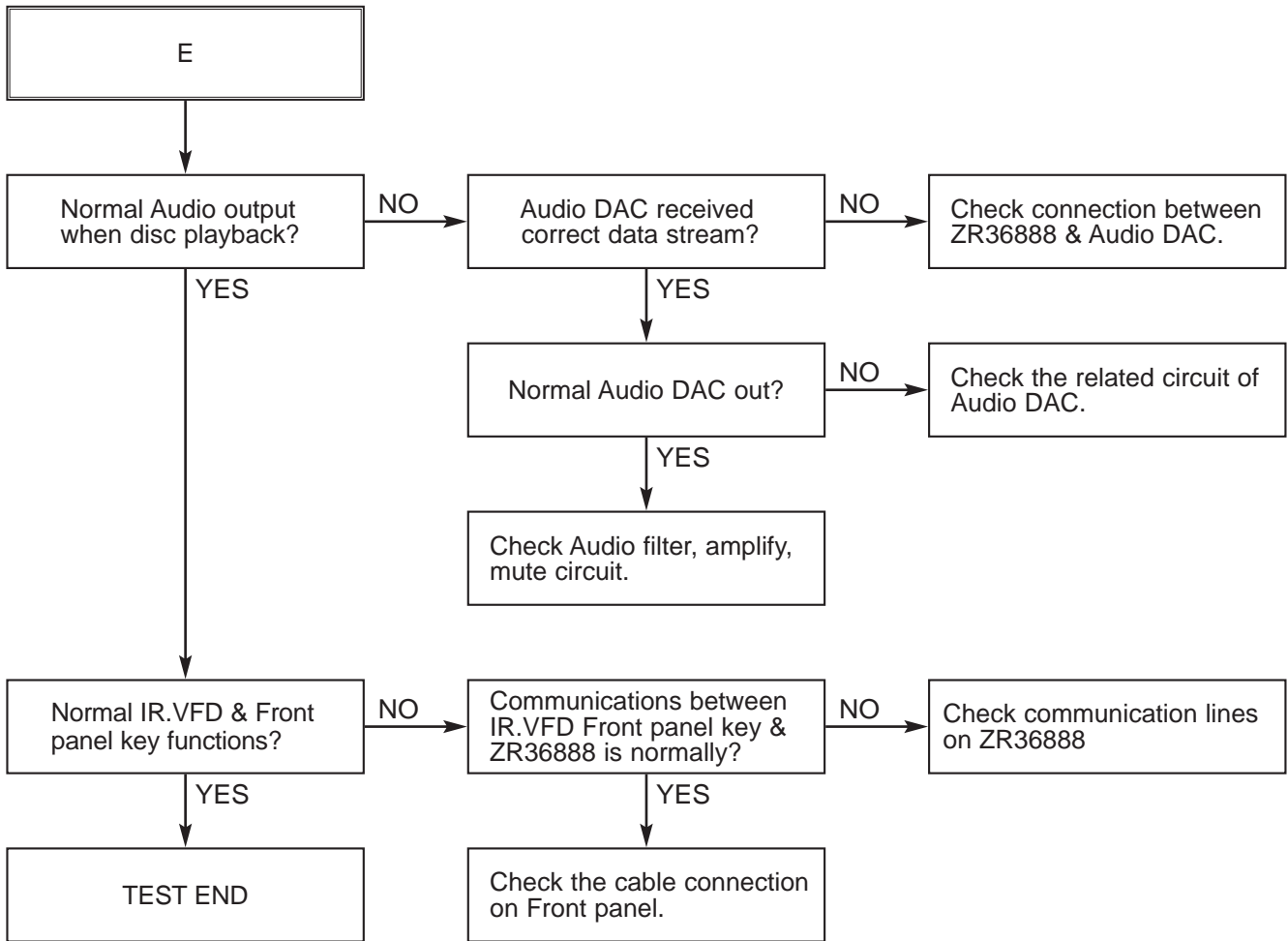




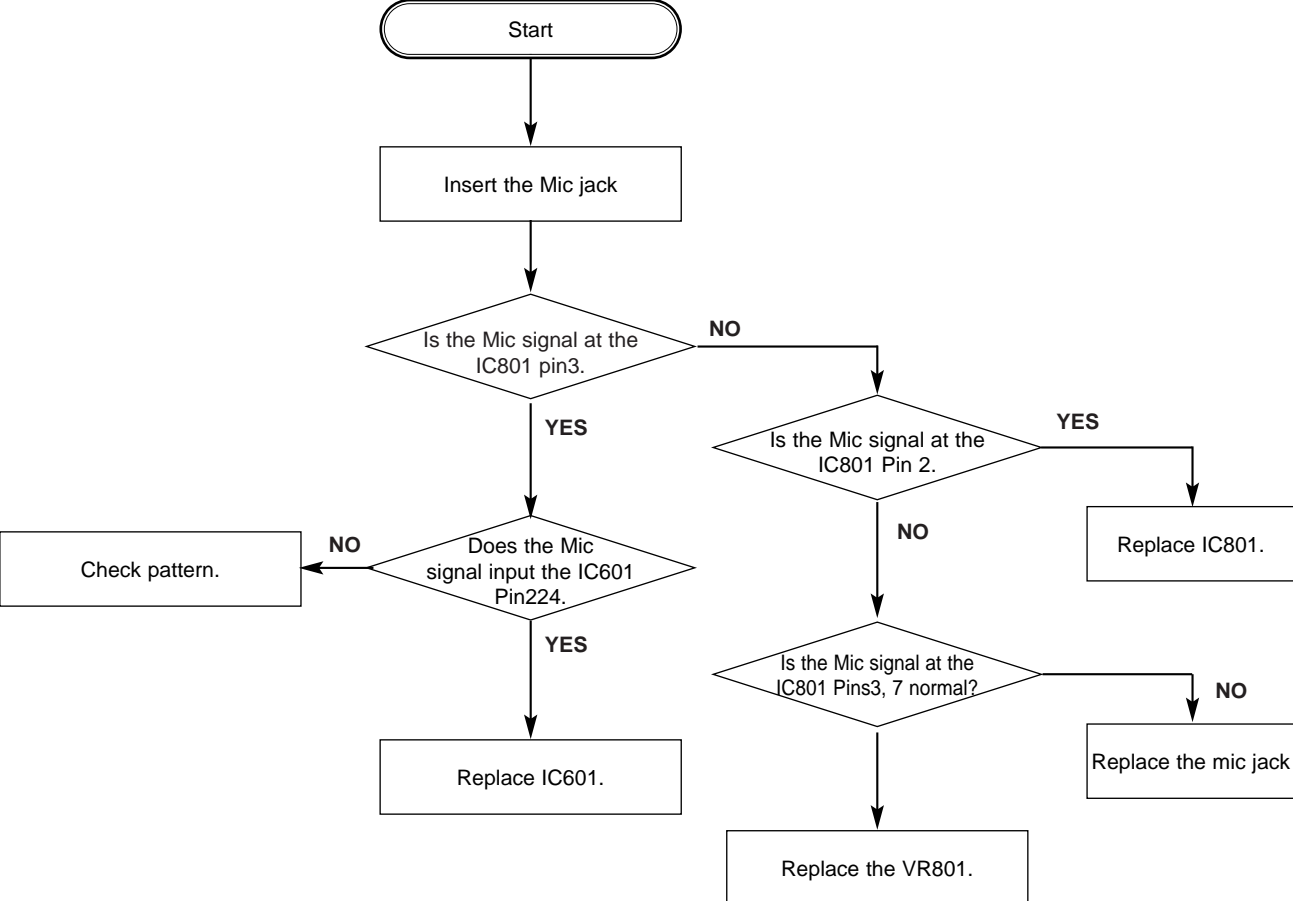








4. KARAOKE Flow (KARAOKE MODEL ONLY)



DETAILS AND WAVEFORMS ON SYSTEM TEST AND DEBUGGING

1. SYSTEM 27MHz CLOCK, RESET SIGNAL

1) ZR36882 main clock is at 27MH(X601)

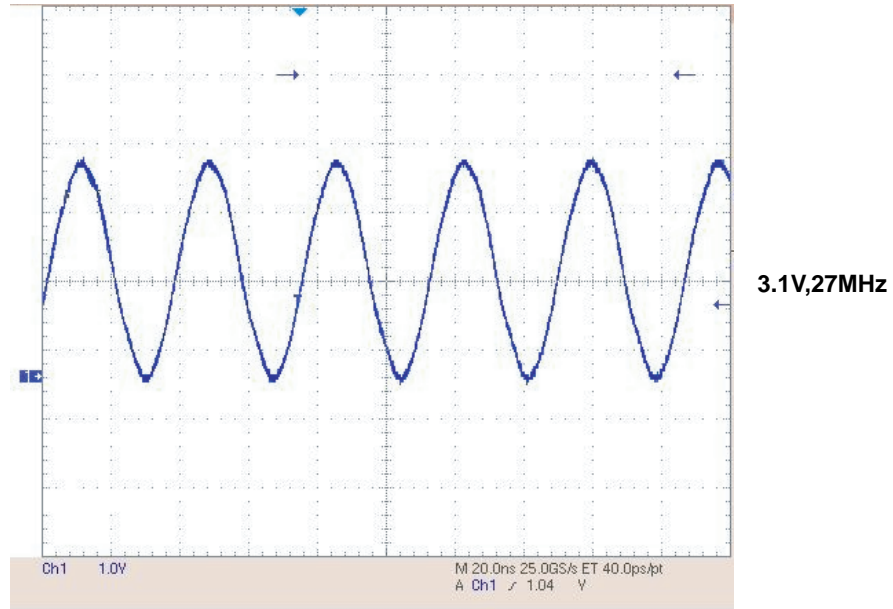


FIG 1-1

2) ZR3682 reset is low active

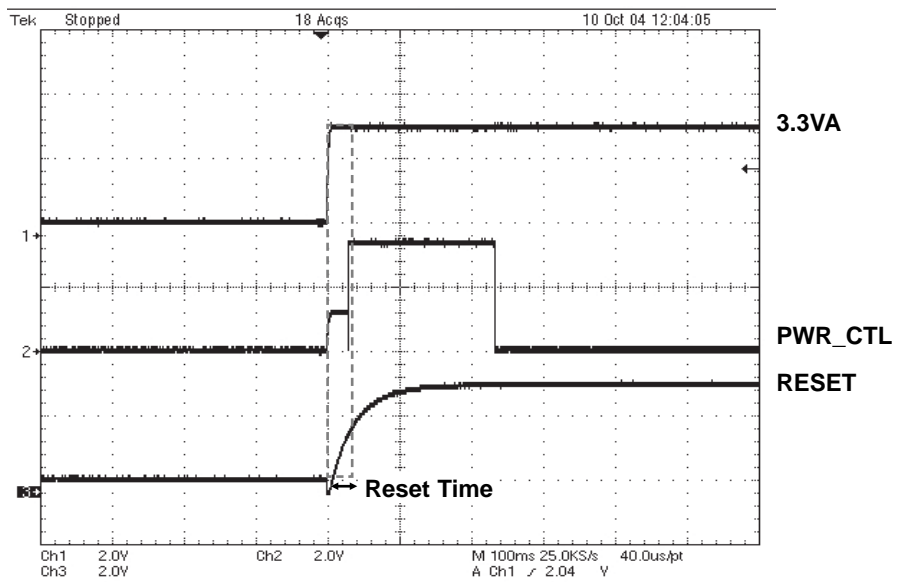


FIG 1-2

2. SDRAM CLOCK

1) SDRAM clock is at 143MHz

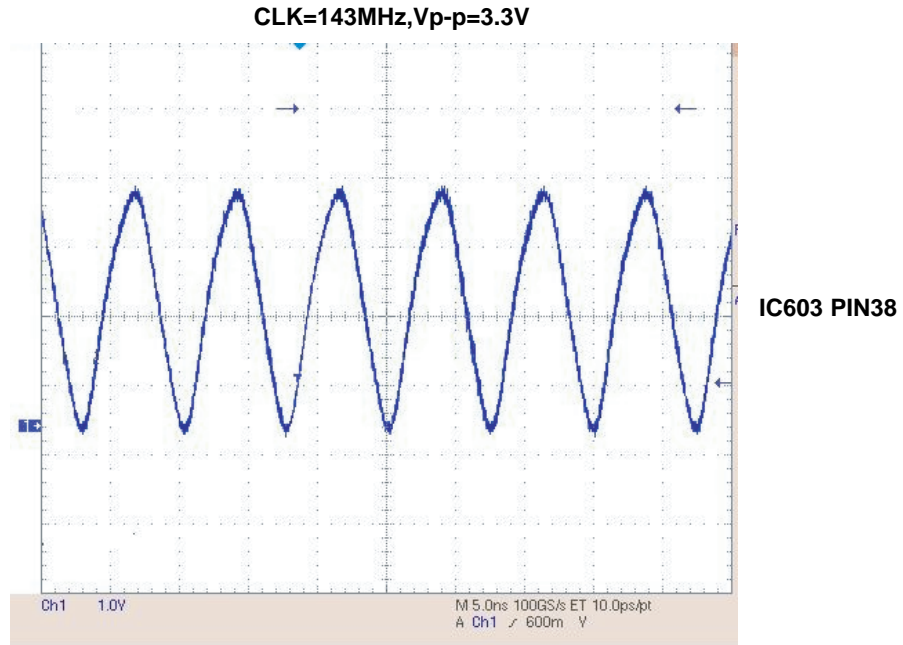


FIG 2-1

3. TRAY OPEN/CLOSE SIGNAL

1) Tray open/close waveform

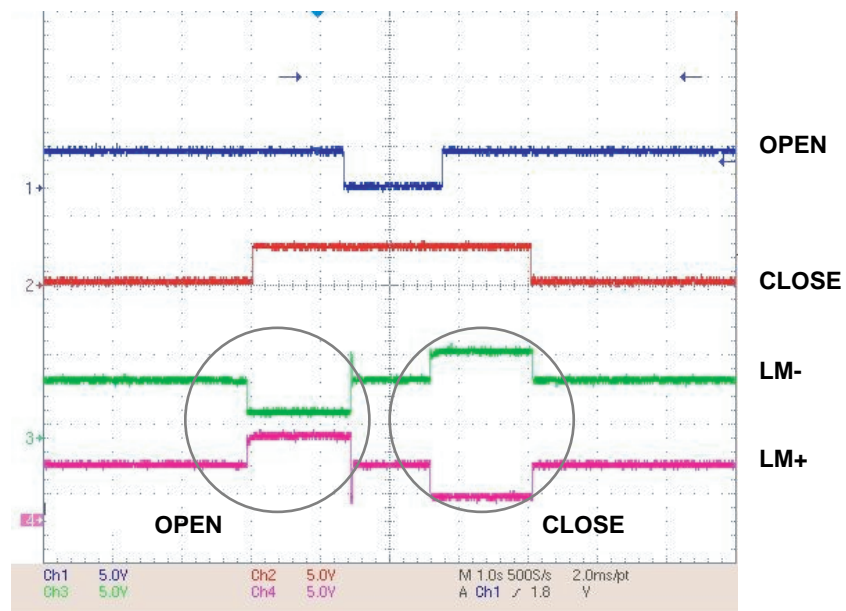


FIG 3-1

2) Tray open waveform

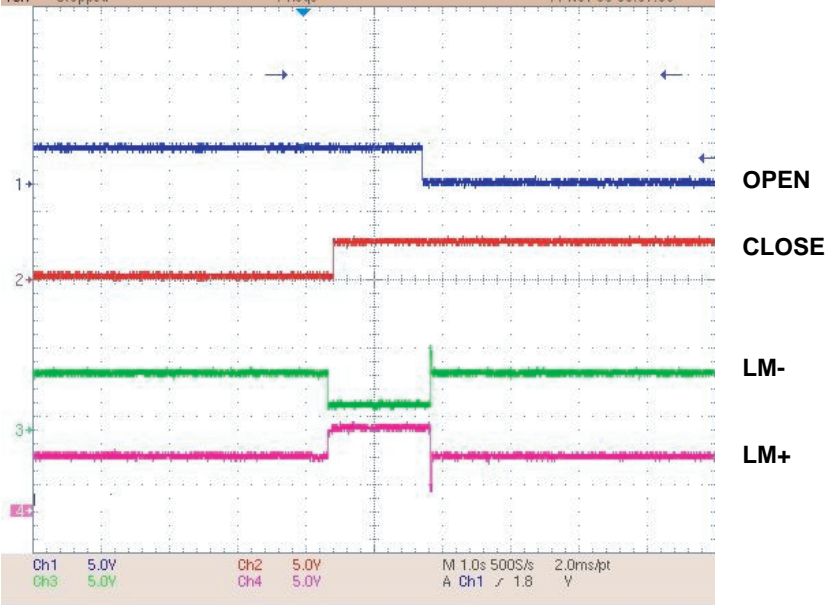


FIG 3-2

3) Tray close waveform

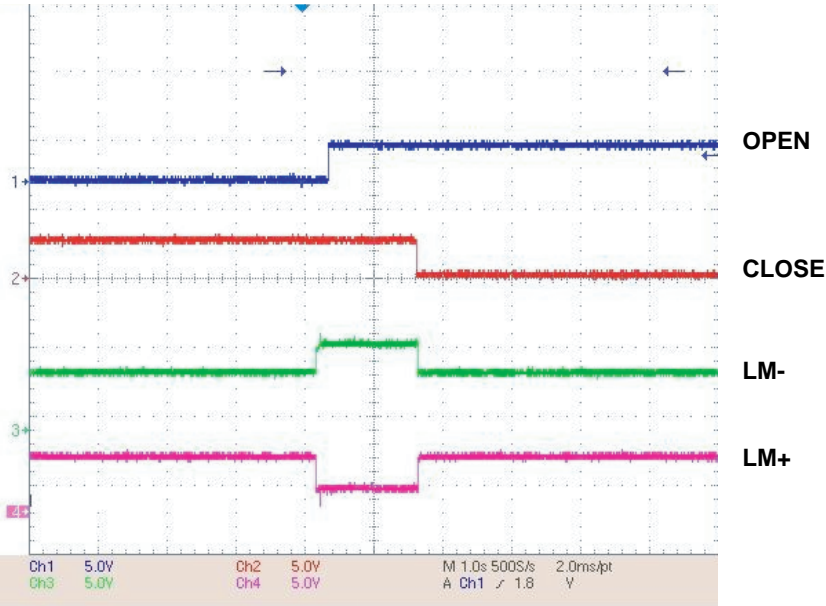


FIG 3-3

4. SLED CONTROL RELATED SIGNAL(NO DISC CONDITION)

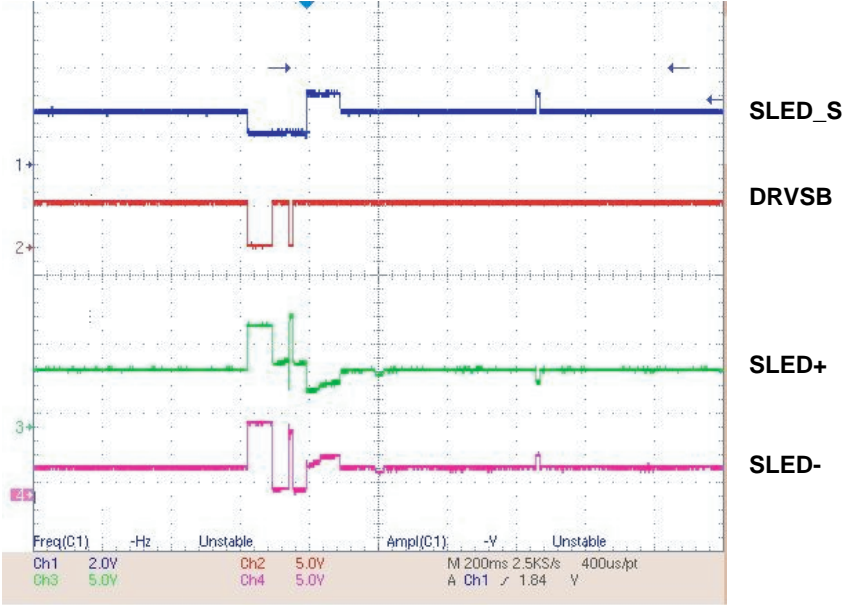


FIG 4-1

5. LENS CONTROL RELATED SIGNAL(NO DISC CONDITION)

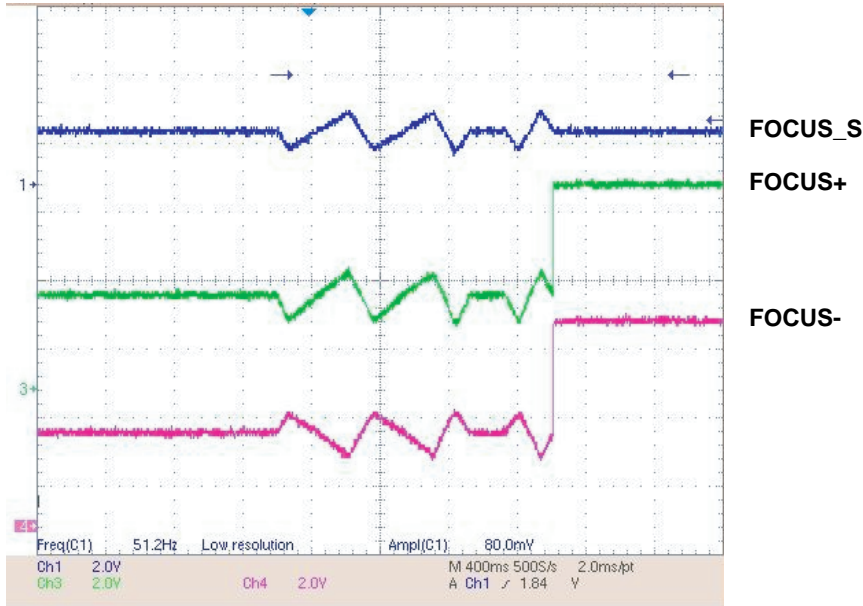


FIG 5-1

6. LASER POWER CONTROL RELATED SIGNAL(NO DISC CONDITION)

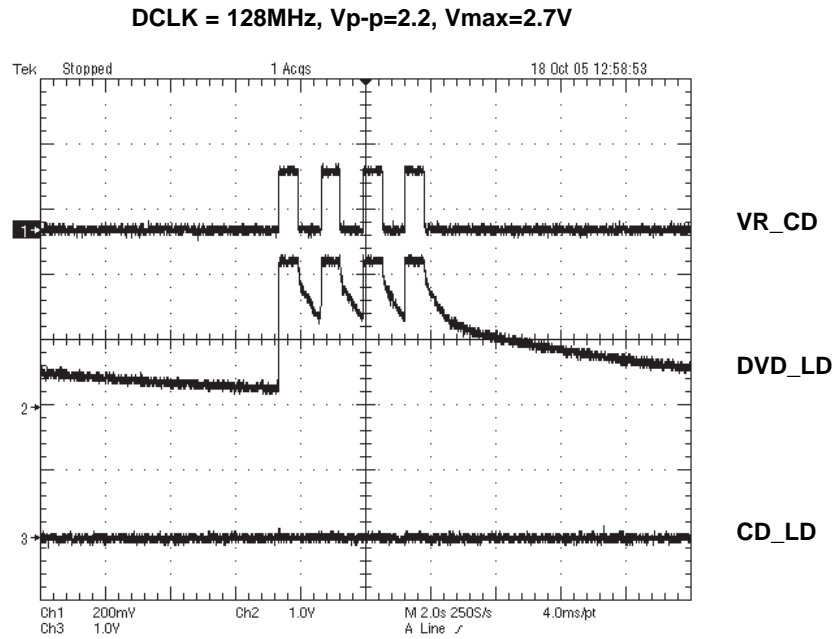


FIG 6-1

7. DISC TYPE JUDGEMENT WAVEFORM

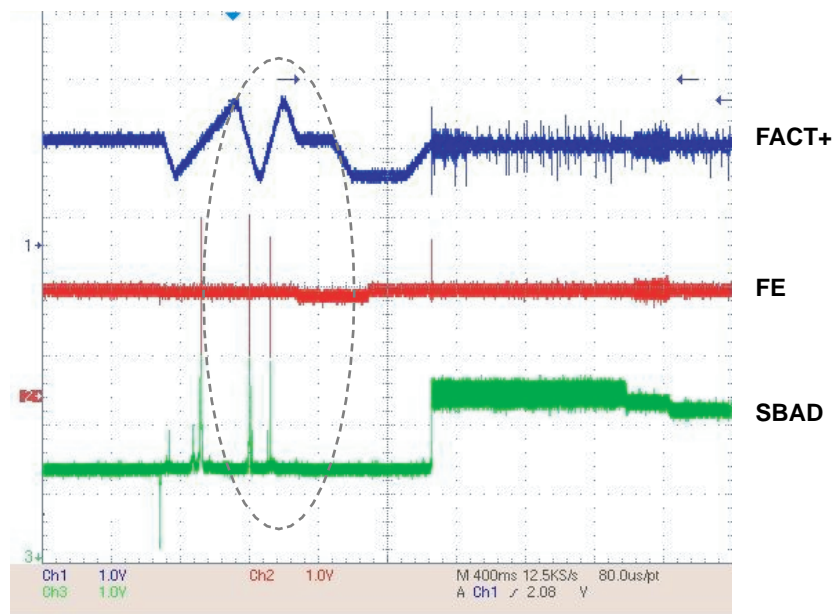


FIG 7-1(DVD)

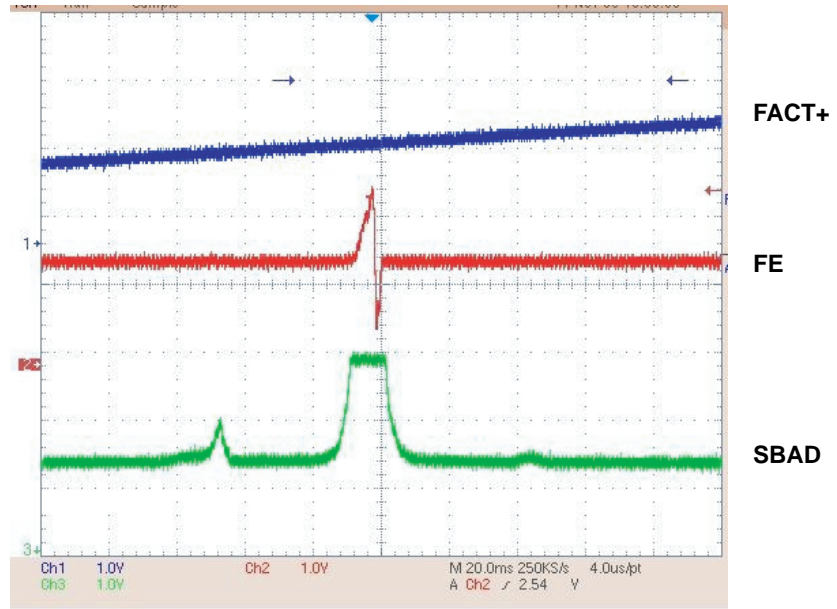


FIG 7-2 (DVD)

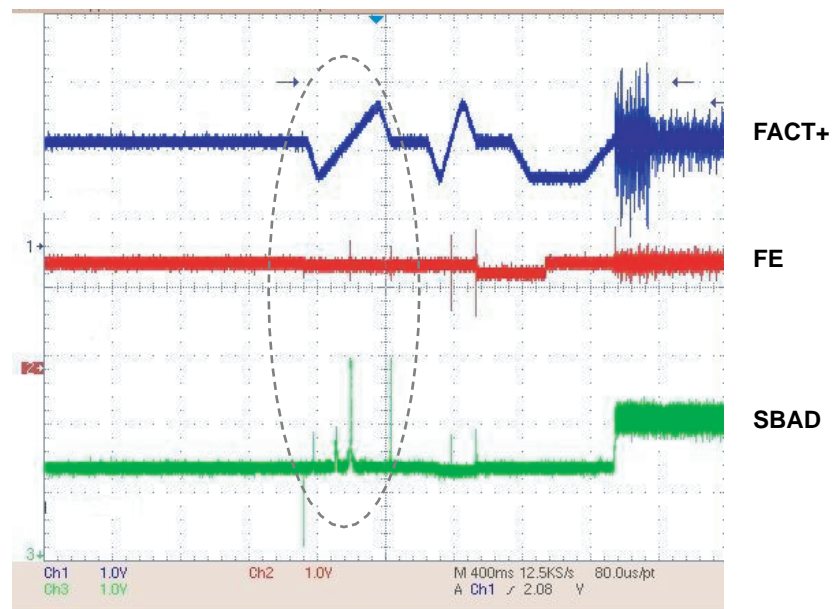


FIG 7-3 (CD)

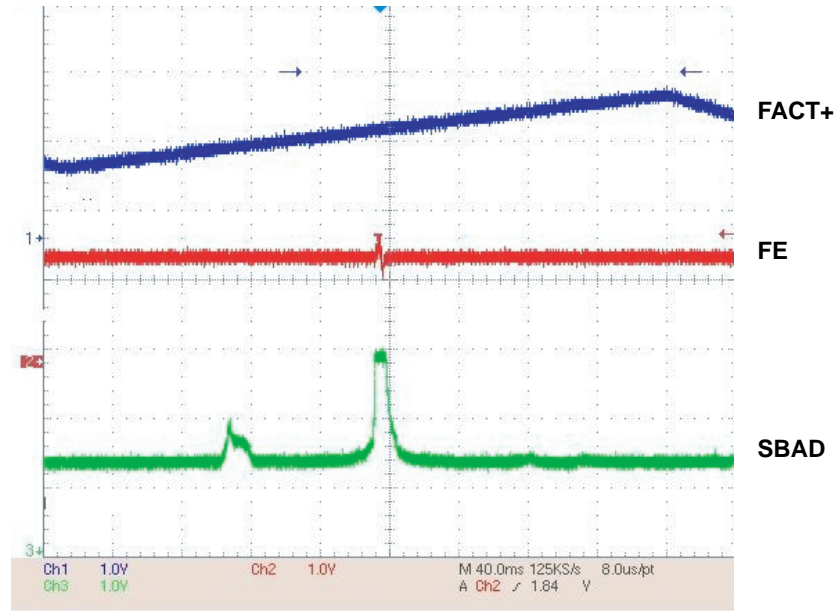


FIG 7-4 (CD)

8. FOCUS ON WAVEFORM

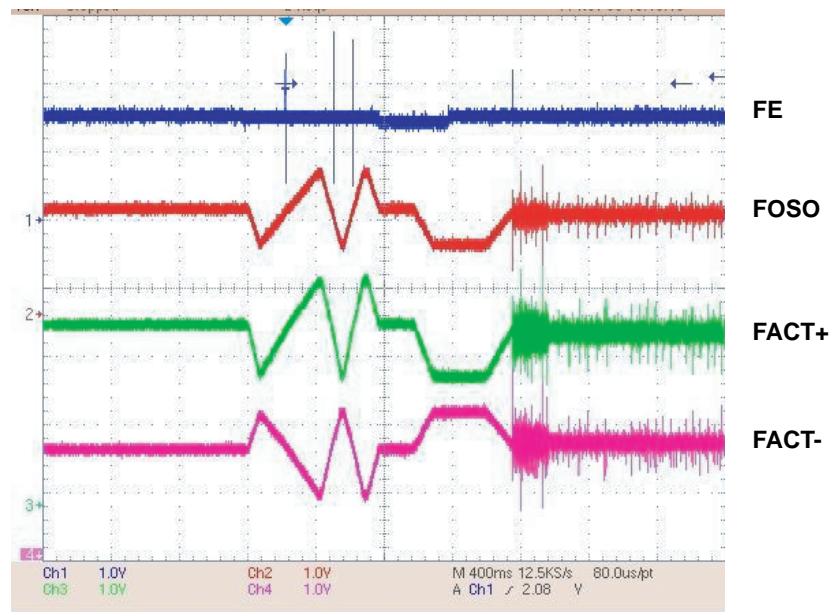


FIG 8-1 (DVD)

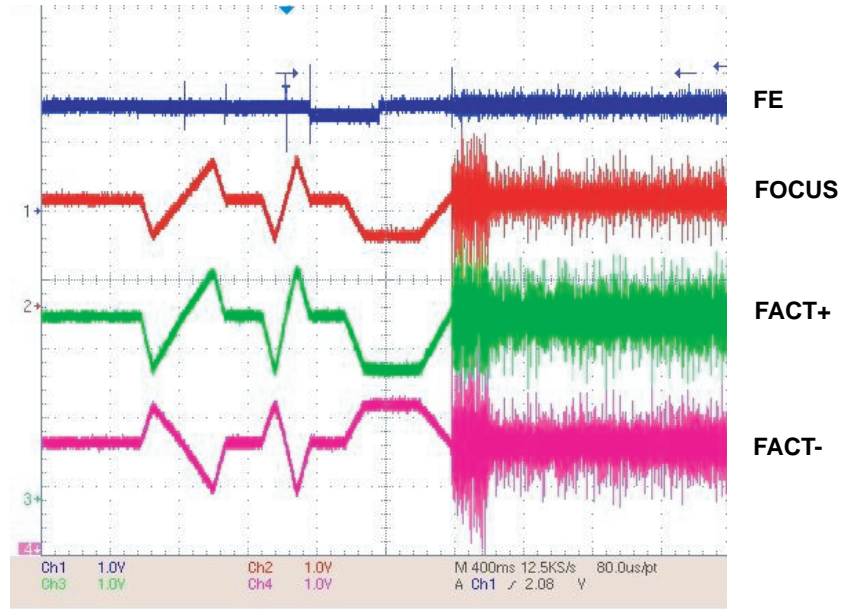


FIG 8-2 (CD)

9. SPINDLE CONTROL WAVEFORM(NO DISC CONDITION)

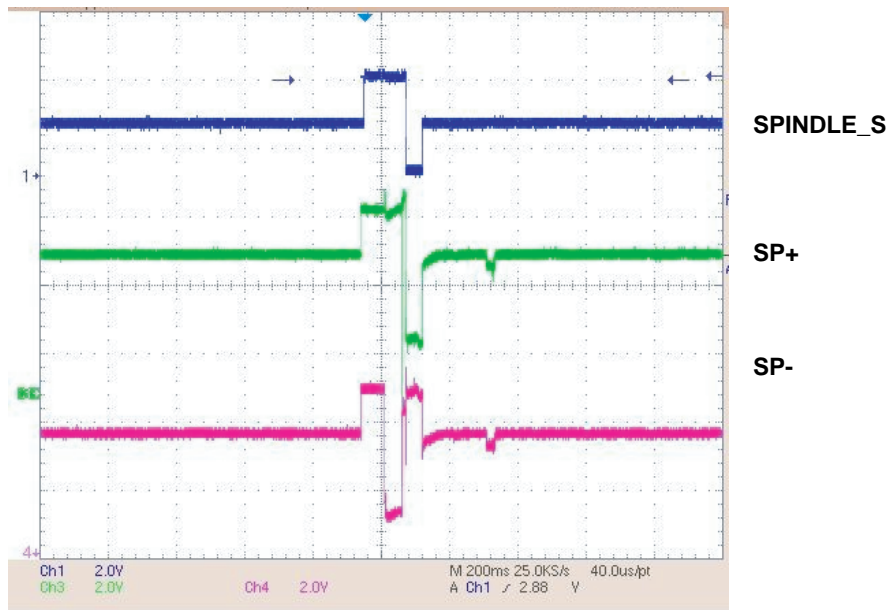


FIG 9-1 (DVD)

10. TRACKING CONTROL RELATED SIGNAL(System checking)

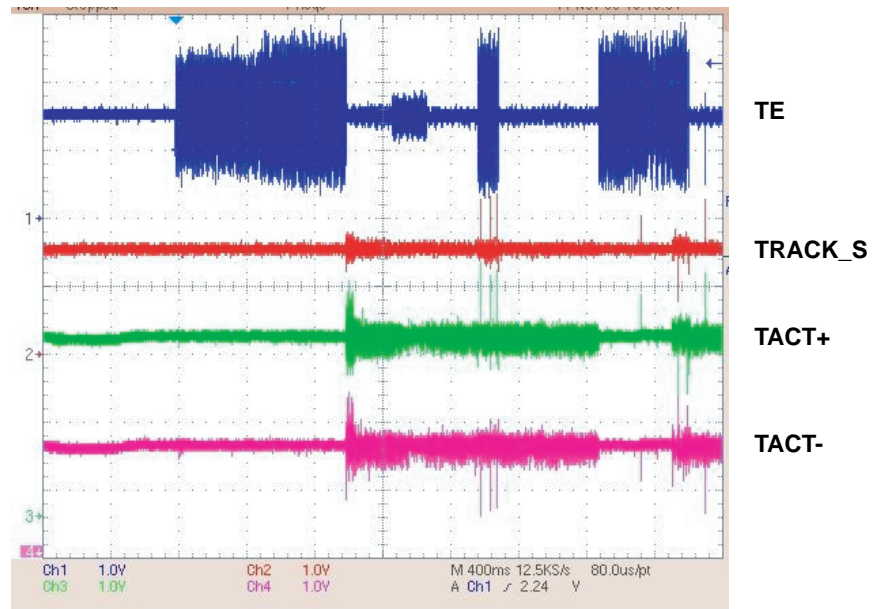


FIG 10-1 (DVD)

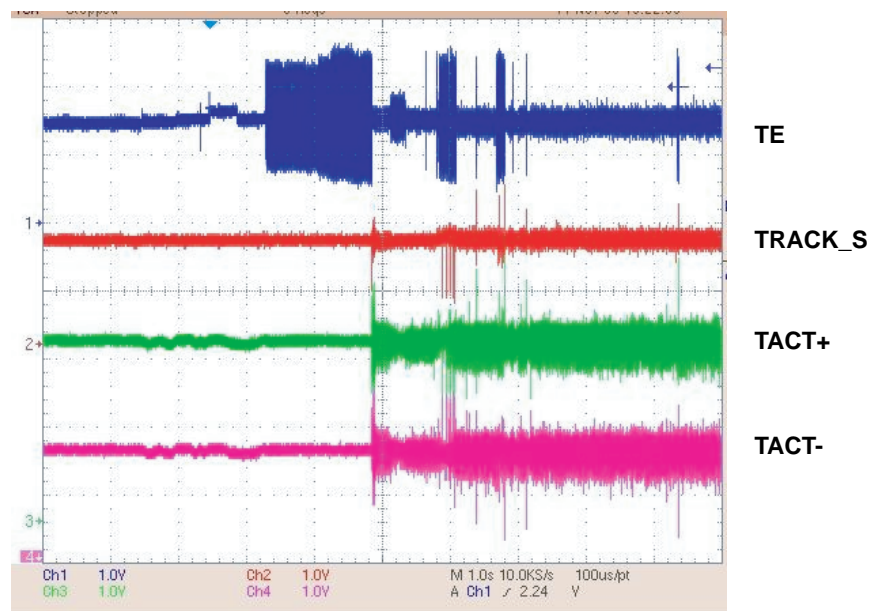


FIG 10-2 (CD)

11. RF WAVEFORM

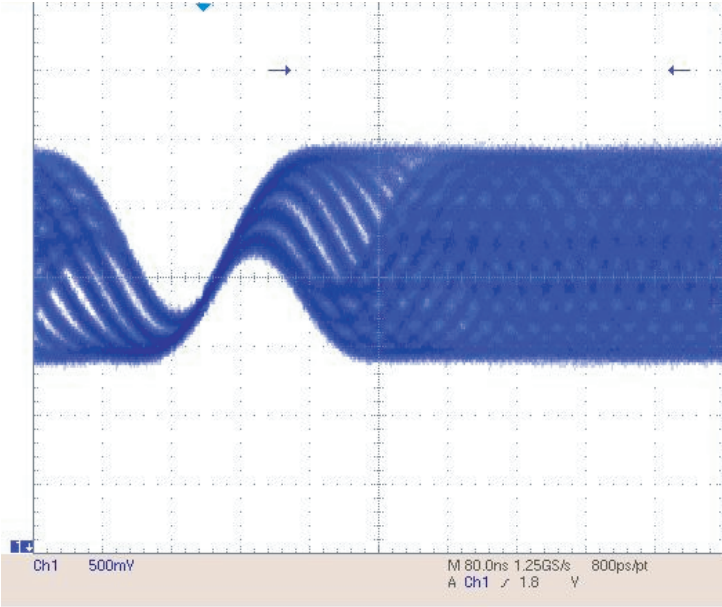


FIG 11-1

12. ZR36888 AUDIO OPTICAL AND COAXIAL OUTPUT(SPDIF)

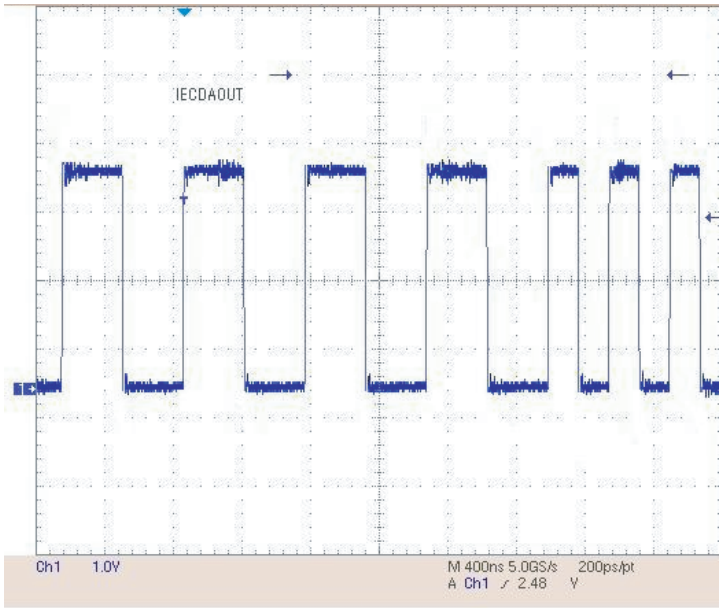


FIG 12-1

13. ZR36888 VIDEO OUTPUT WAVEFORM 1) Full colorbar signal(CVBS)

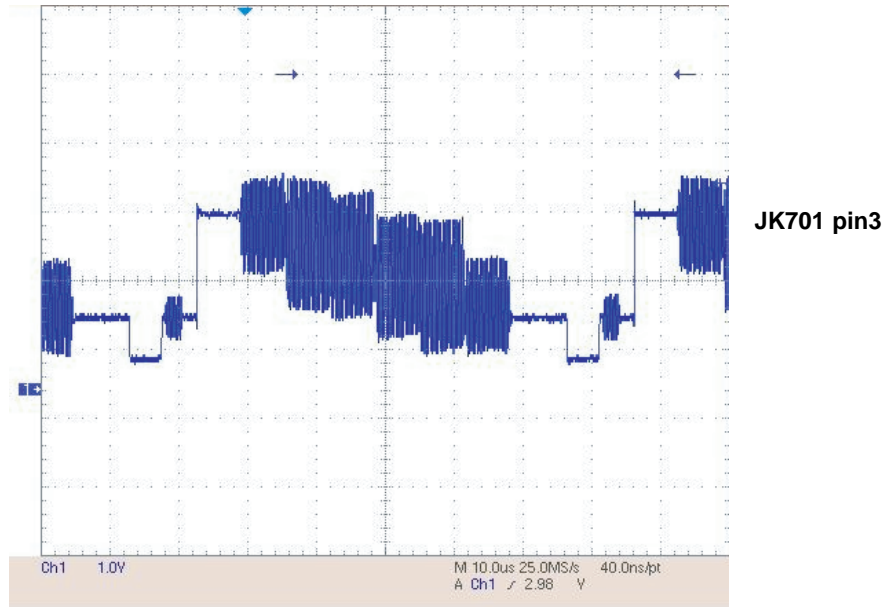


FIG 13-1

2) Y

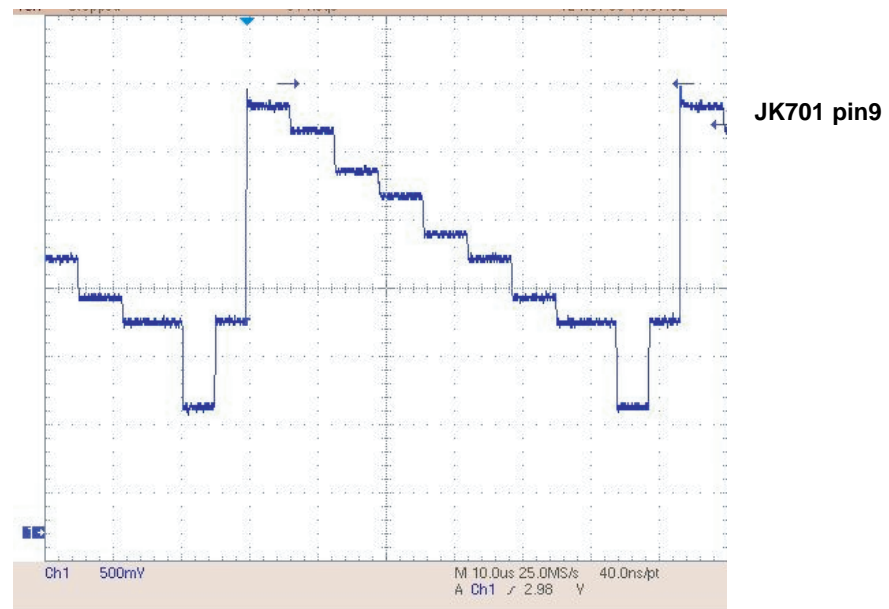


FIG 13-2

3) C

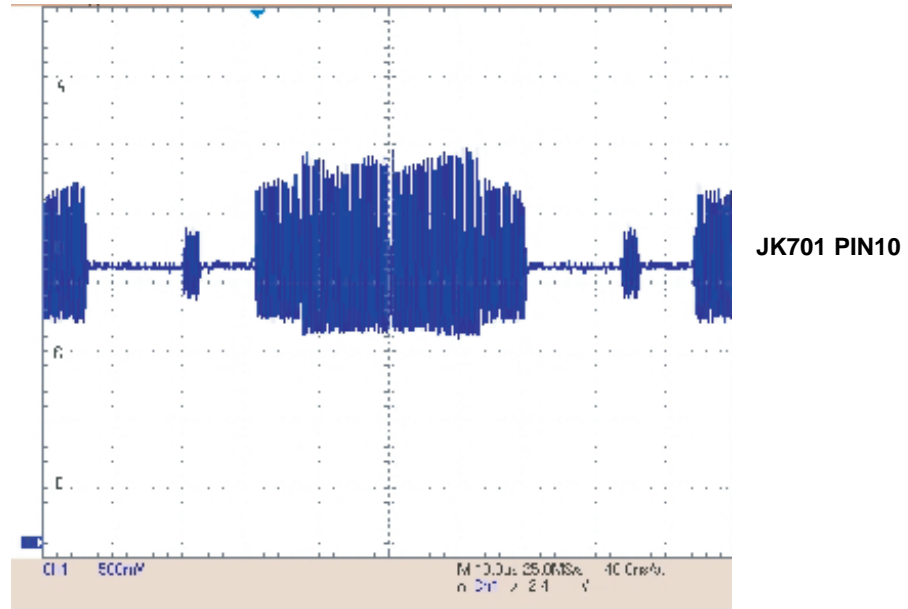


FIG 13-3

14. AUDIO OUTPUT FROM AUDIO DAC

1) AUDIO L/R

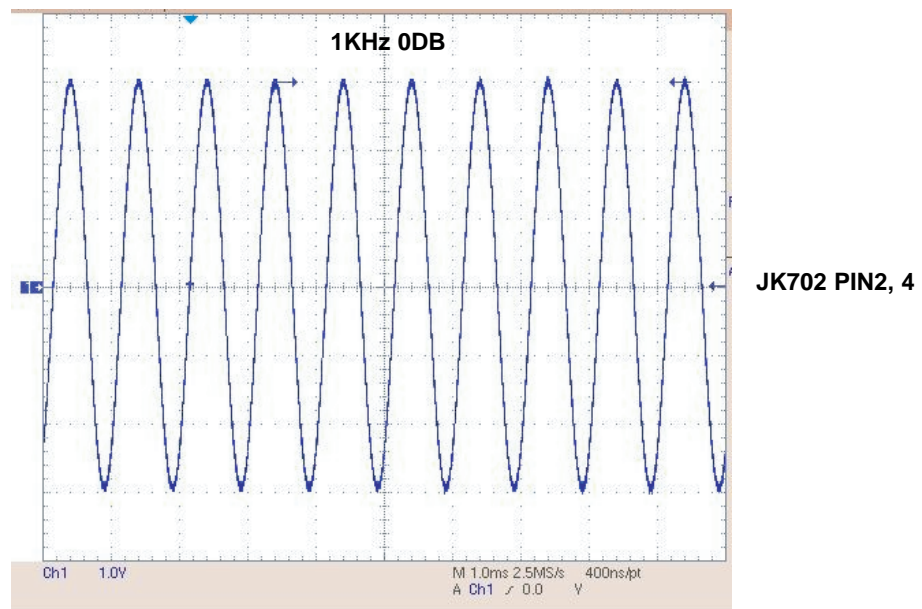


FIG 14-1

2) Audio Related Signal

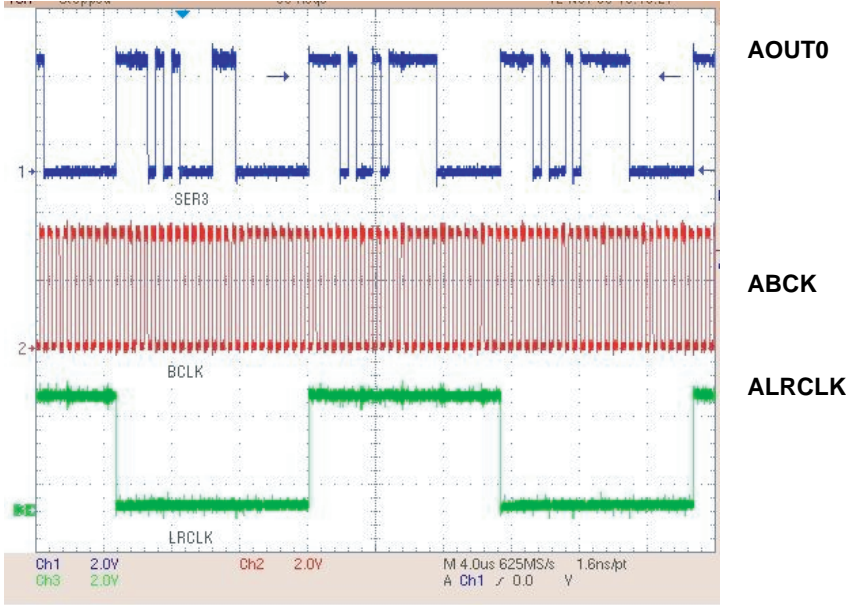
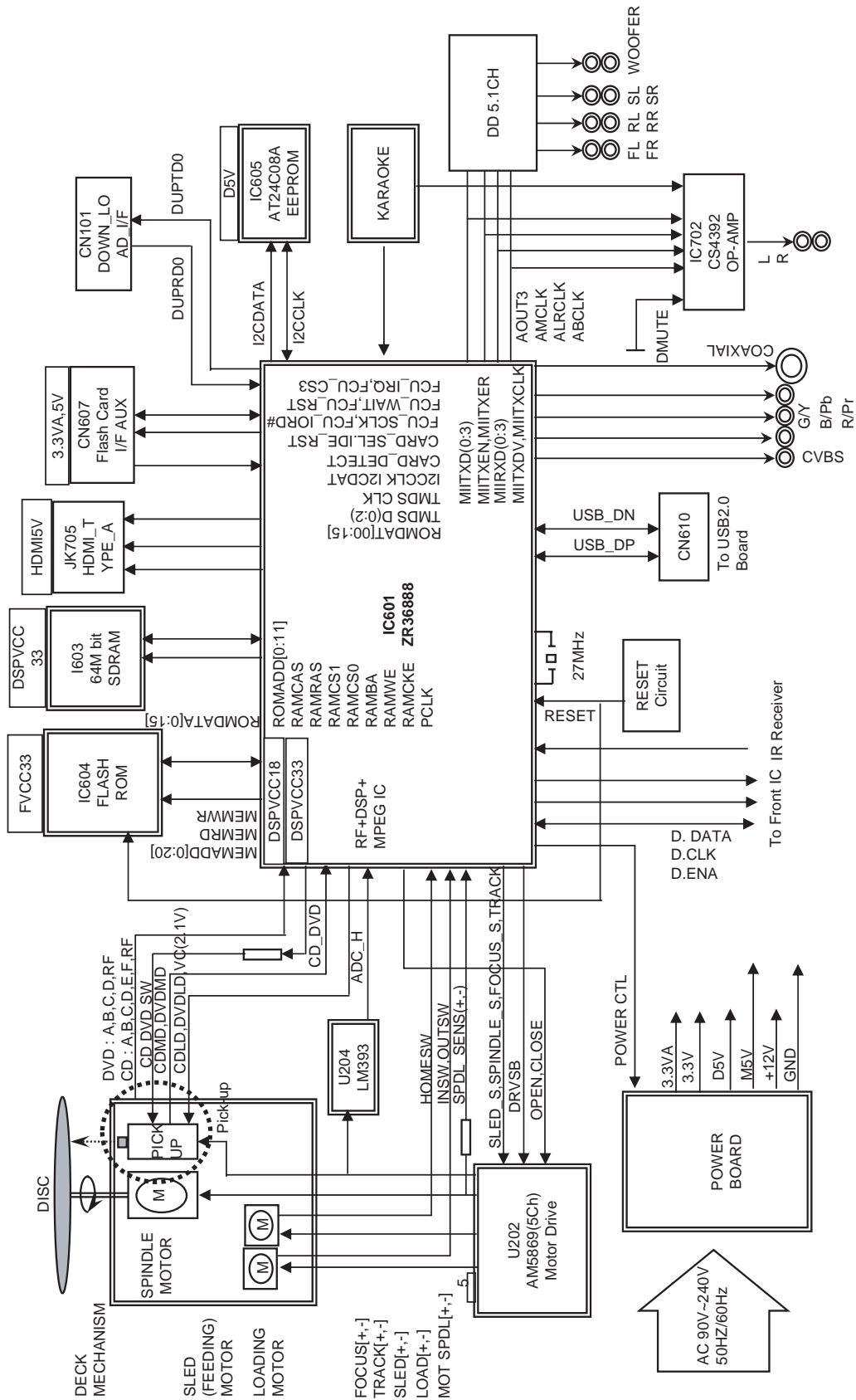


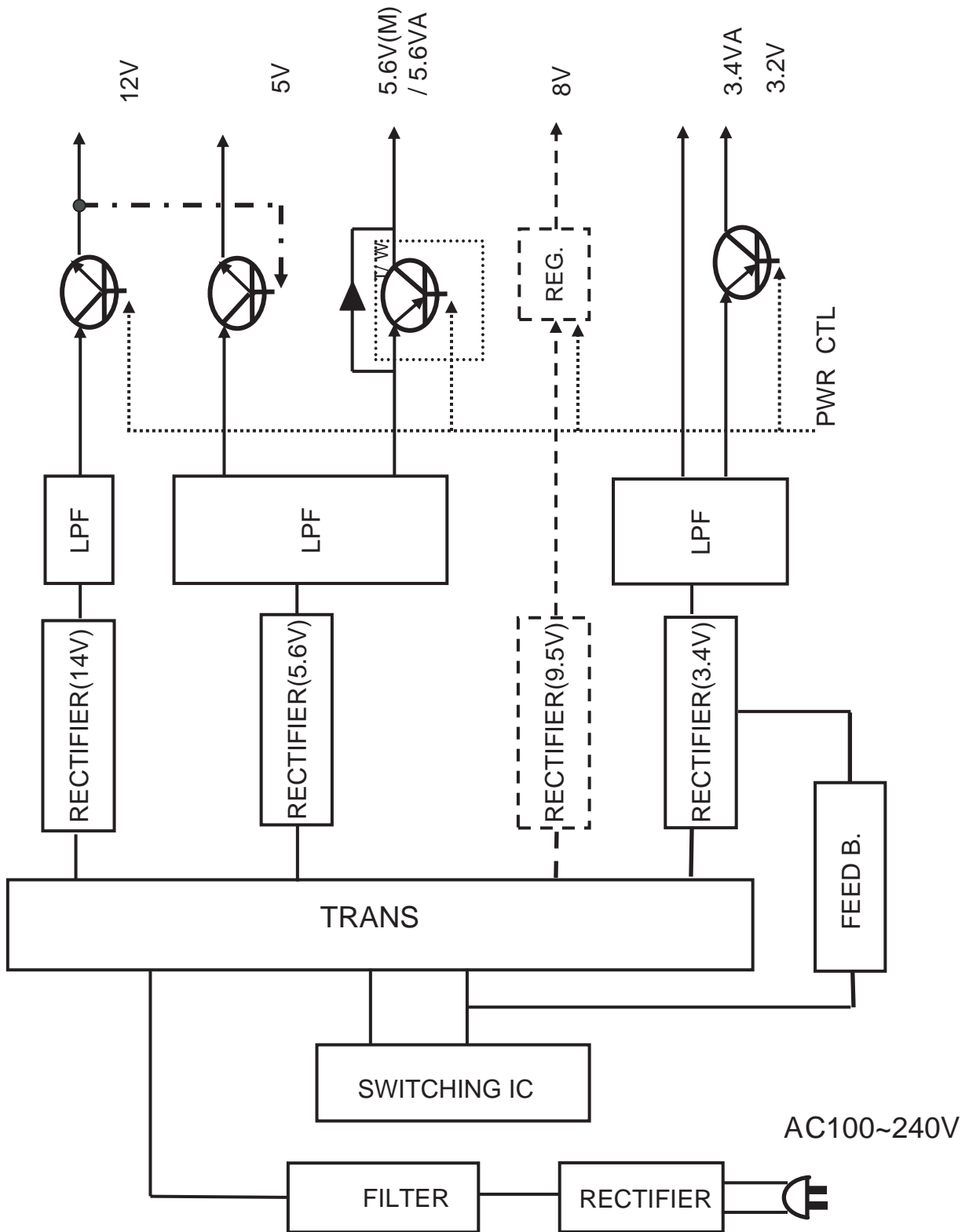
FIG 14-2

BLOCK DIAGRAMS

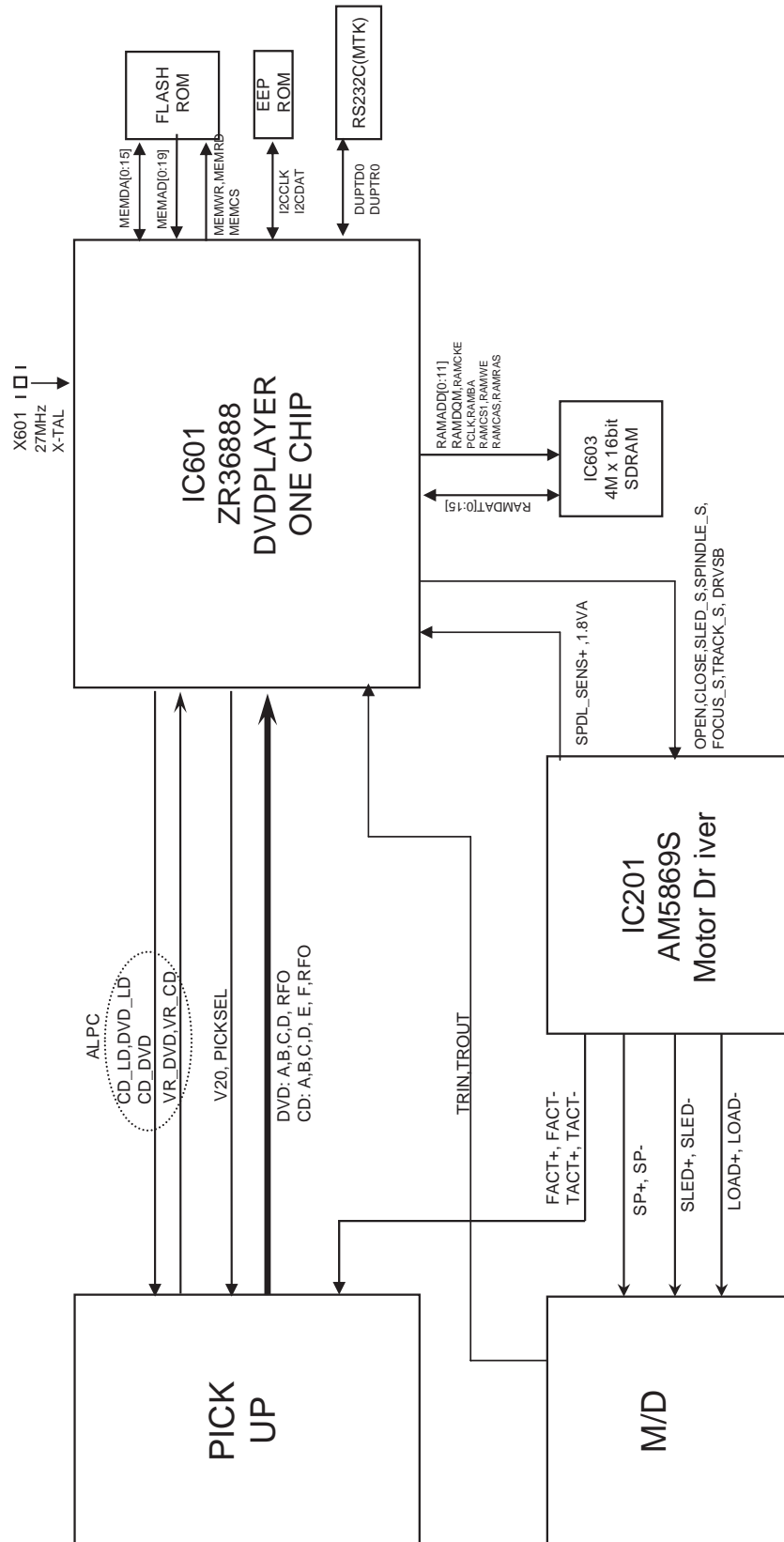
1. OVERALL BLOCK DIAGRAM



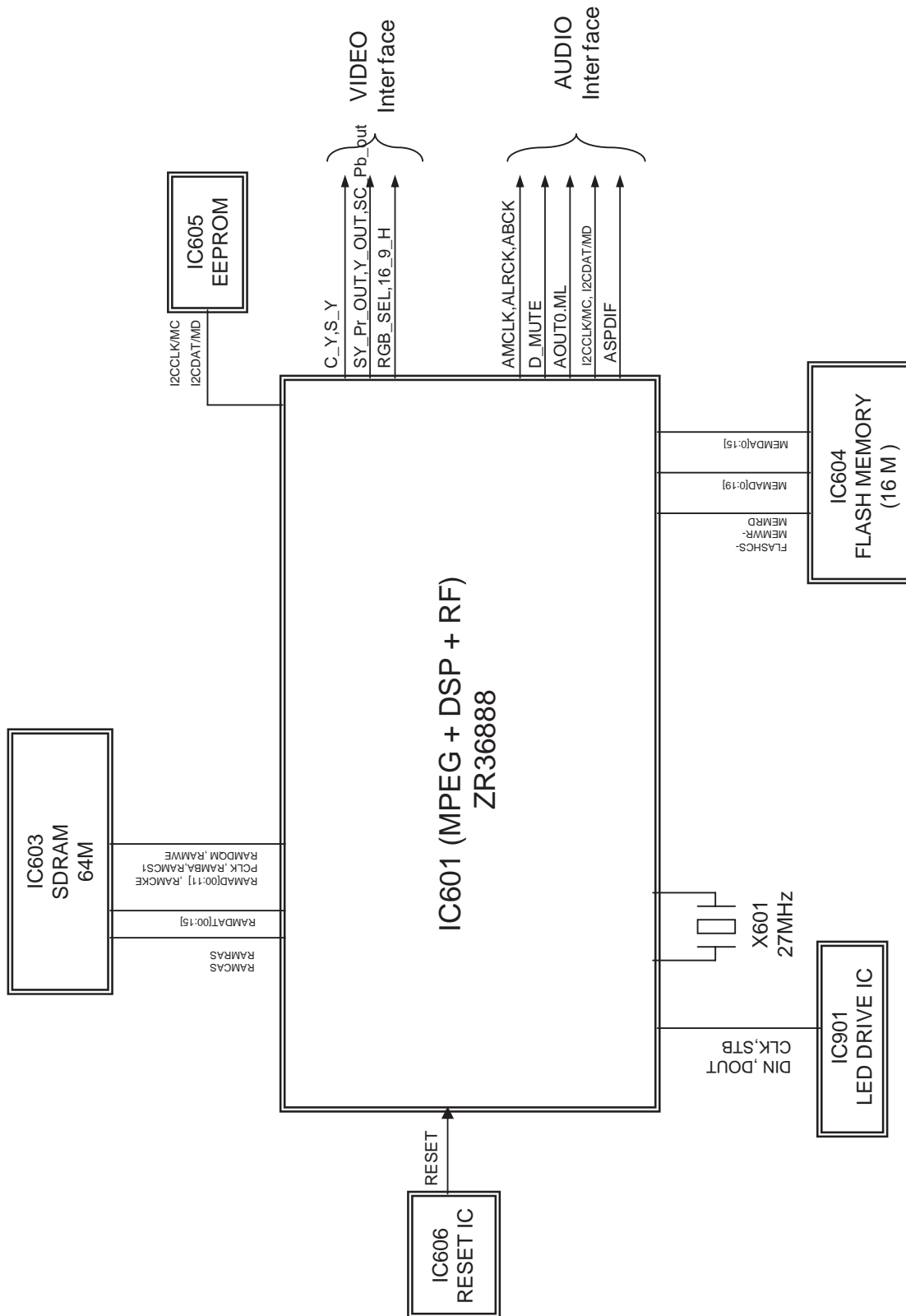
2. POWER(SMPS) BLOCK DIAGRAM



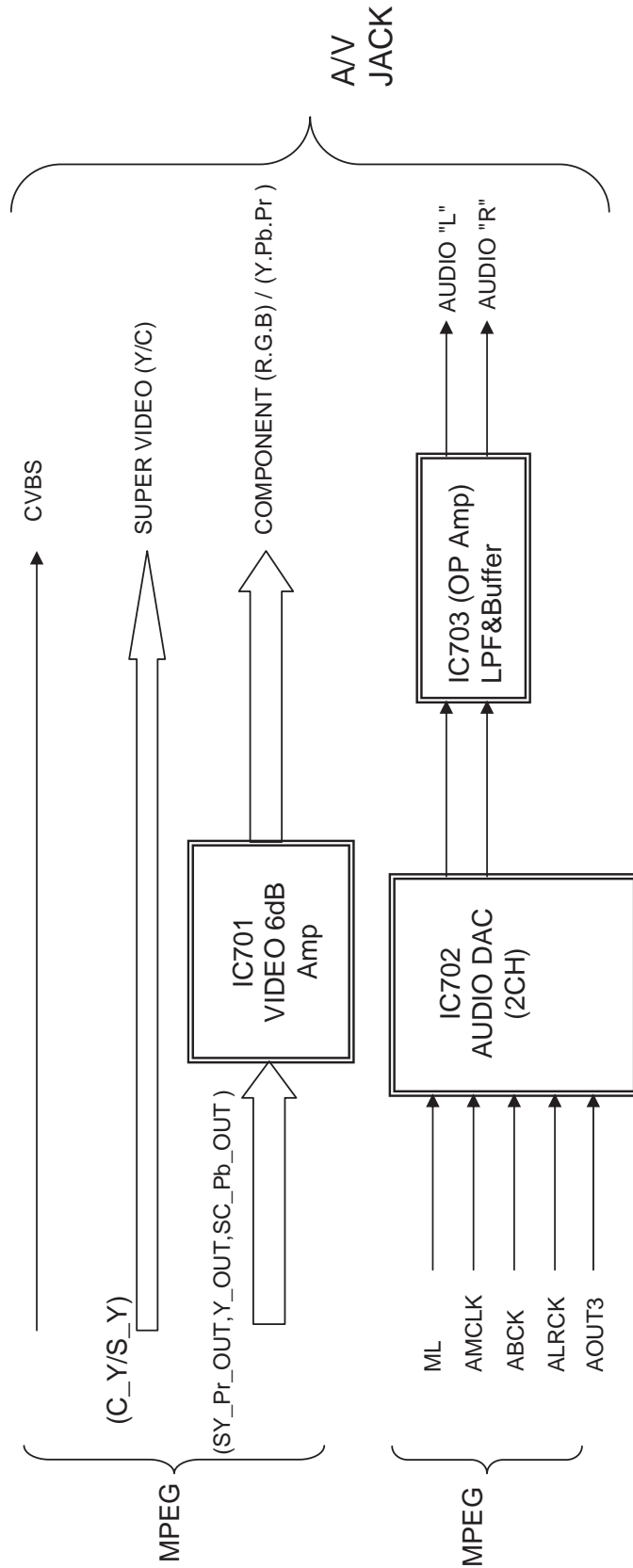
3. SERVO BLOCK DIAGRAM



4. MPEG & MEMORY BLOCK DIAGRAM



5. VIDEO & AUDIO BLOCK DIAGRAM



CIRCUIT DIAGRAMS

1. POWER(SMPS) CIRCUIT DIAGRAM

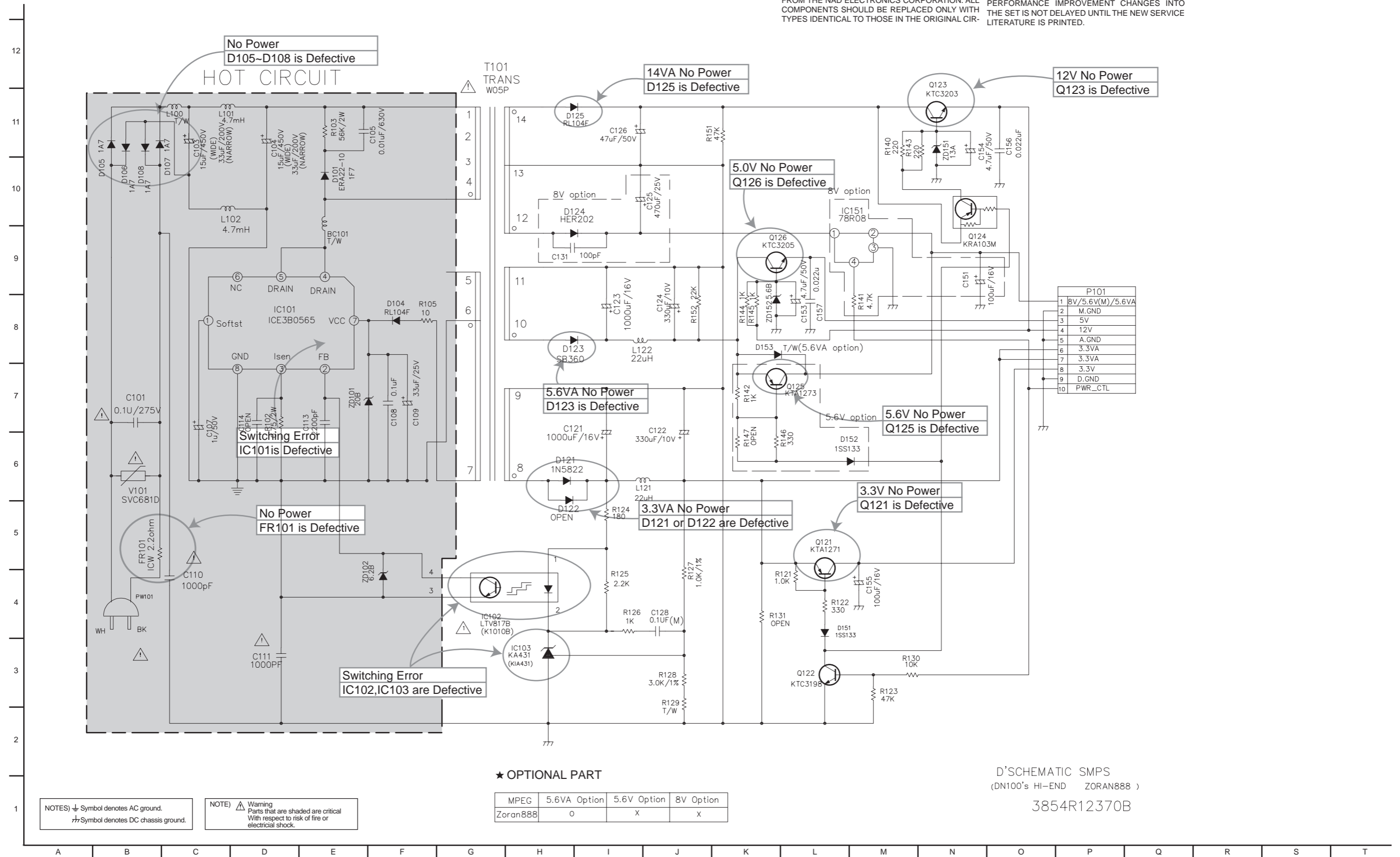
IMPORTANT SAFETY NOTICE

WHEN SERVICING THIS CHASSIS, UNDER NO CIRCUMSTANCES SHOULD THE ORIGINAL DESIGN BE MODIFIED OR ALTERED WITHOUT PERMISSION FROM THE NAD ELECTRONICS CORPORATION. ALL COMPONENTS SHOULD BE REPLACED ONLY WITH TYPES IDENTICAL TO THOSE IN THE ORIGINAL CIR-

CUIT. SPECIAL COMPONENTS ARE SHADED ON THE SCHEMATIC FOR EASY IDENTIFICATION. THIS CIRCUIT DIAGRAM MAY OCCASIONALLY DIFFER FROM THE ACTUAL CIRCUIT USED. THIS WAY, IMPLEMENTATION OF THE LATEST SAFETY AND PERFORMANCE IMPROVEMENT CHANGES INTO THE SET IS NOT DELAYED UNTIL THE NEW SERVICE LITERATURE IS PRINTED.

NOTE :

1. Shaded(■) parts are critical for safety. Replace only with specified part number.
2. Voltages are DC-measured with a digital voltmeter during Play mode.



NOTES) ⚡ Symbol denotes AC ground.
 ⚡ Symbol denotes DC chassis ground.

NOTE) ⚠ Warning
 Parts that are shaded are critical
 With respect to risk of fire or
 electrical shock.

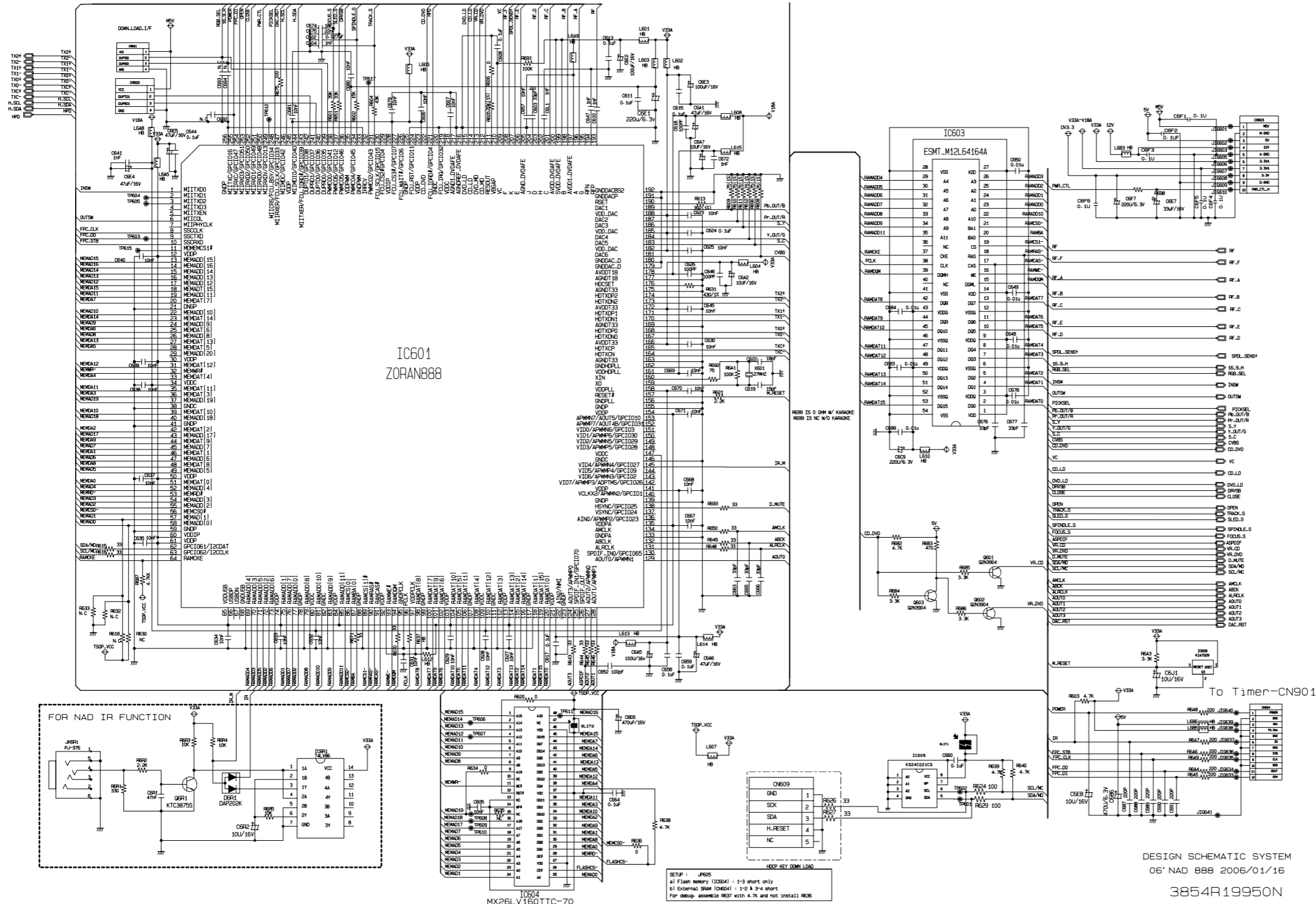
★ OPTIONAL PART

	MPEG	5.6VA Option	5.6V Option	8V Option
Zoran888		0	X	X

D'SCHEMATIC SMPS
 (DN100's HI-END ZORAN888)
 3854R12370B

2. SYSTEM(MAIN) CIRCUIT DIAGRAM

12
11
10
9
8
7
6
5
4
3
2
1

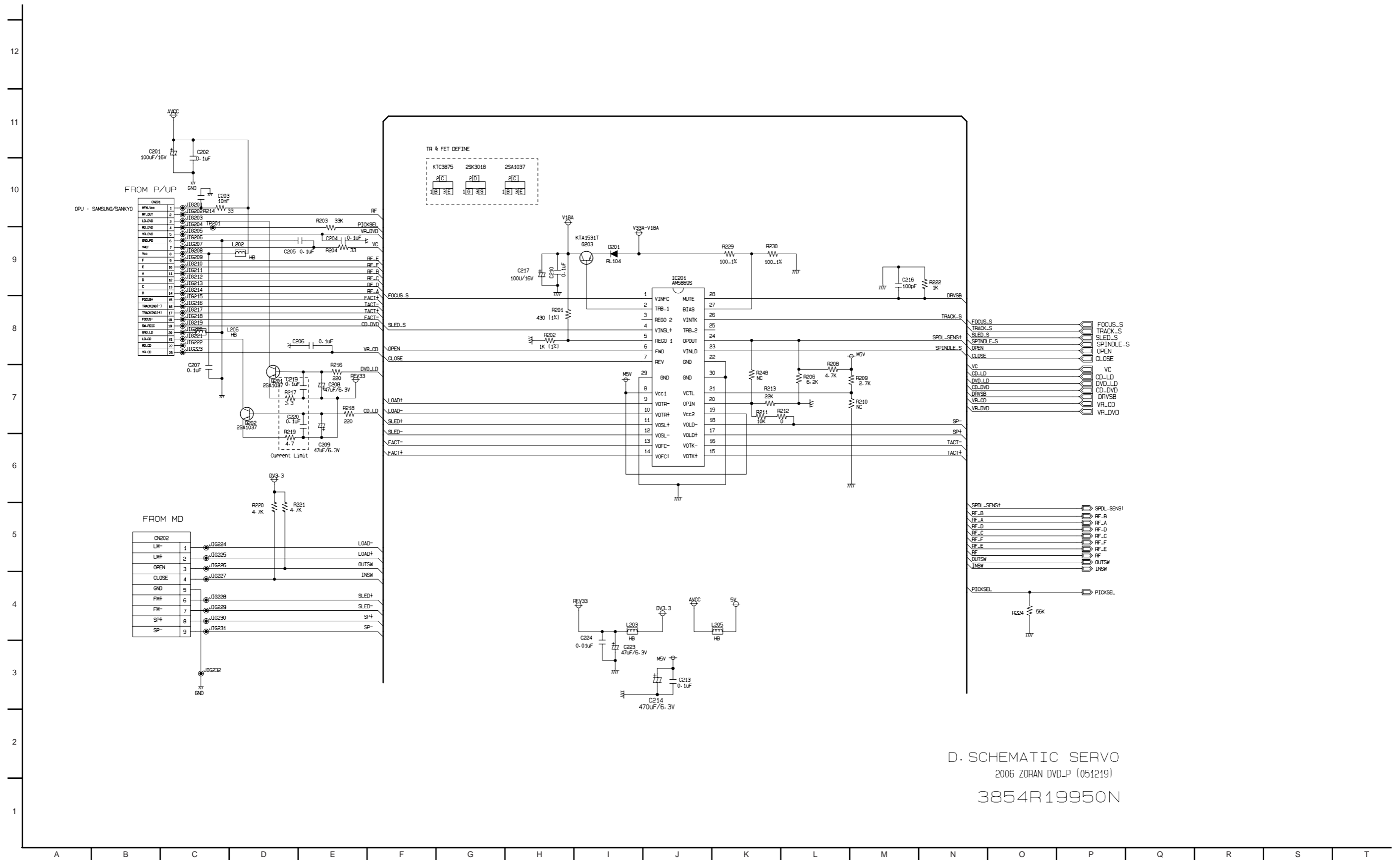


A B C D E F G H I J K L M N O P Q R S T

DESIGN SCHEMATIC SYSTEM
06' NAD 888 2006/01/16
3854R19950N

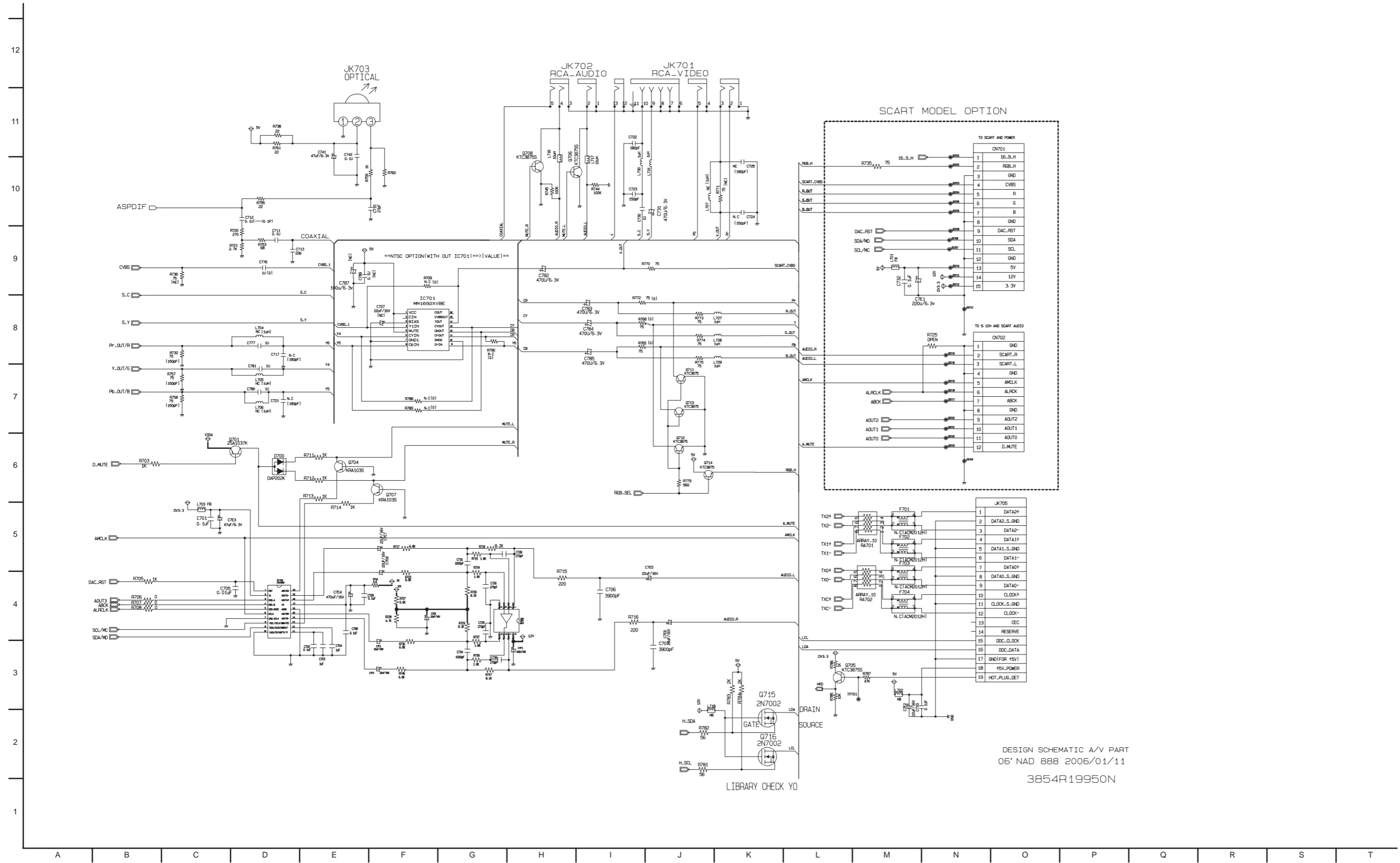
SETUP: .JPG05
a) Flash memory (IC604): 1-3 short only
b) External flash (IC604): 1-3 & 2-4 short
For setup, connect R101 with 4.7k and not install R102

3. SERVO CIRCUIT DIAGRAM

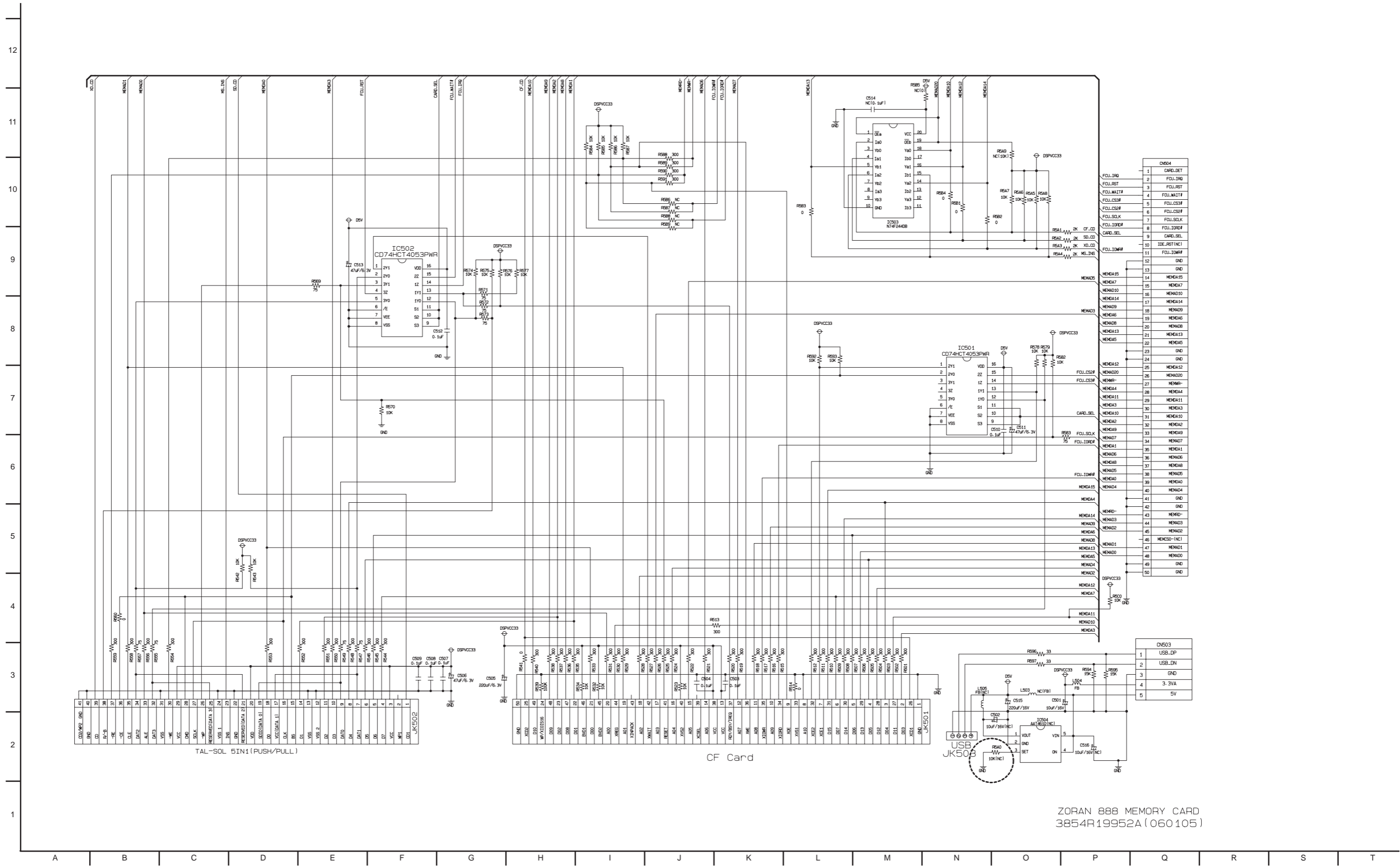


D. SCHEMATIC SERVO
2006 ZORAN DVD-P (051219)
3854R19950N

4. AV/JACK CIRCUIT DIAGRAM

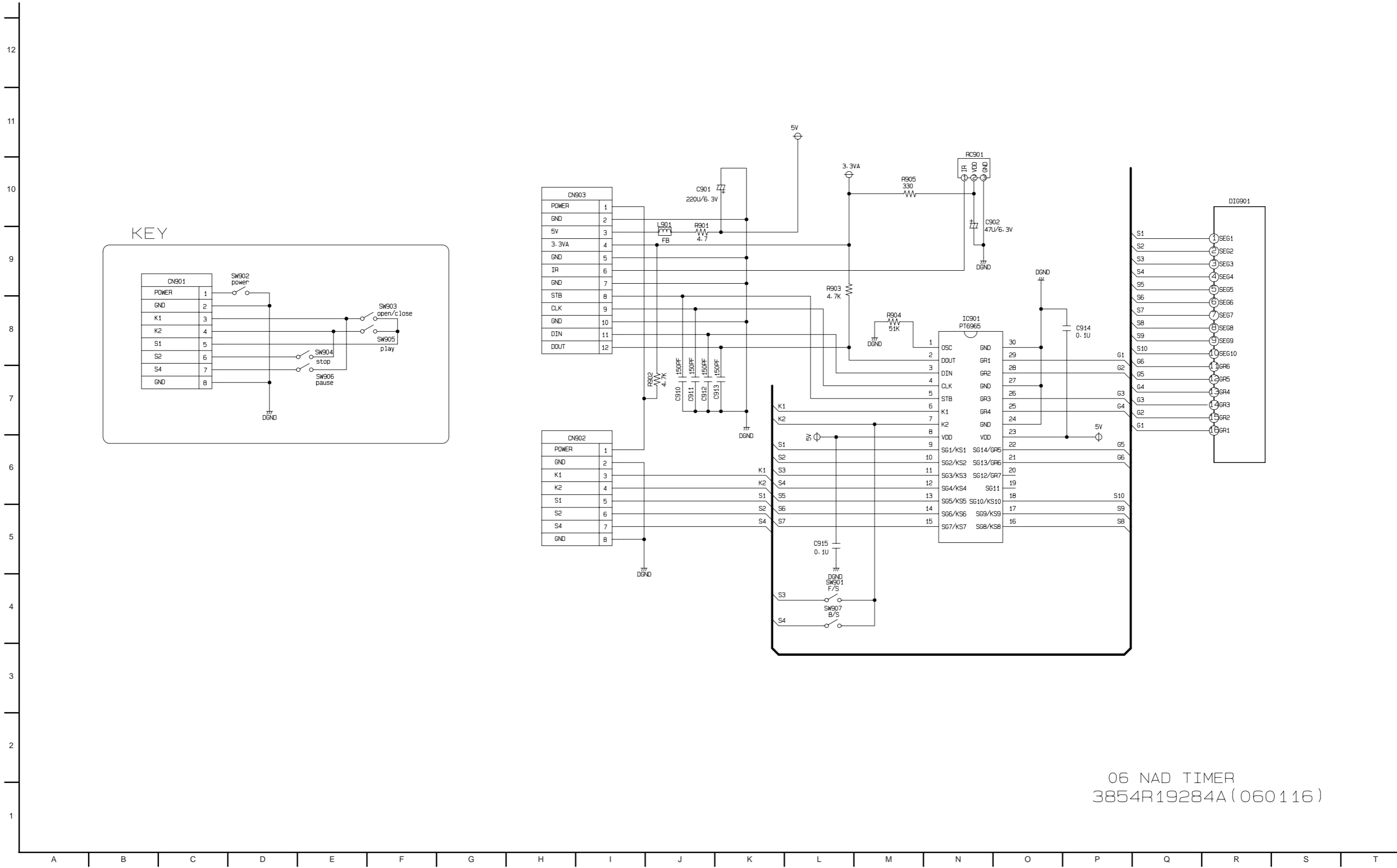


5. MEMORY CARD CIRCUIT DIAGRAM



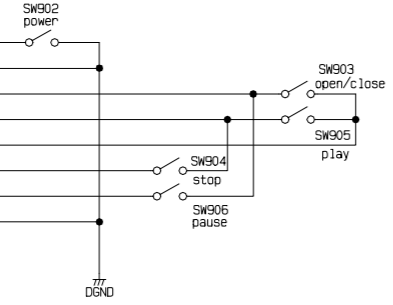
ZORAN 888 MEMORY CARD
3854R19952A (060105)

6. TIMER CIRCUIT DIAGRAM(9TOOL)



KEY

CN901	
POWER	1
GND	2
K1	3
K2	4
S1	5
S2	6
S4	7
GND	8



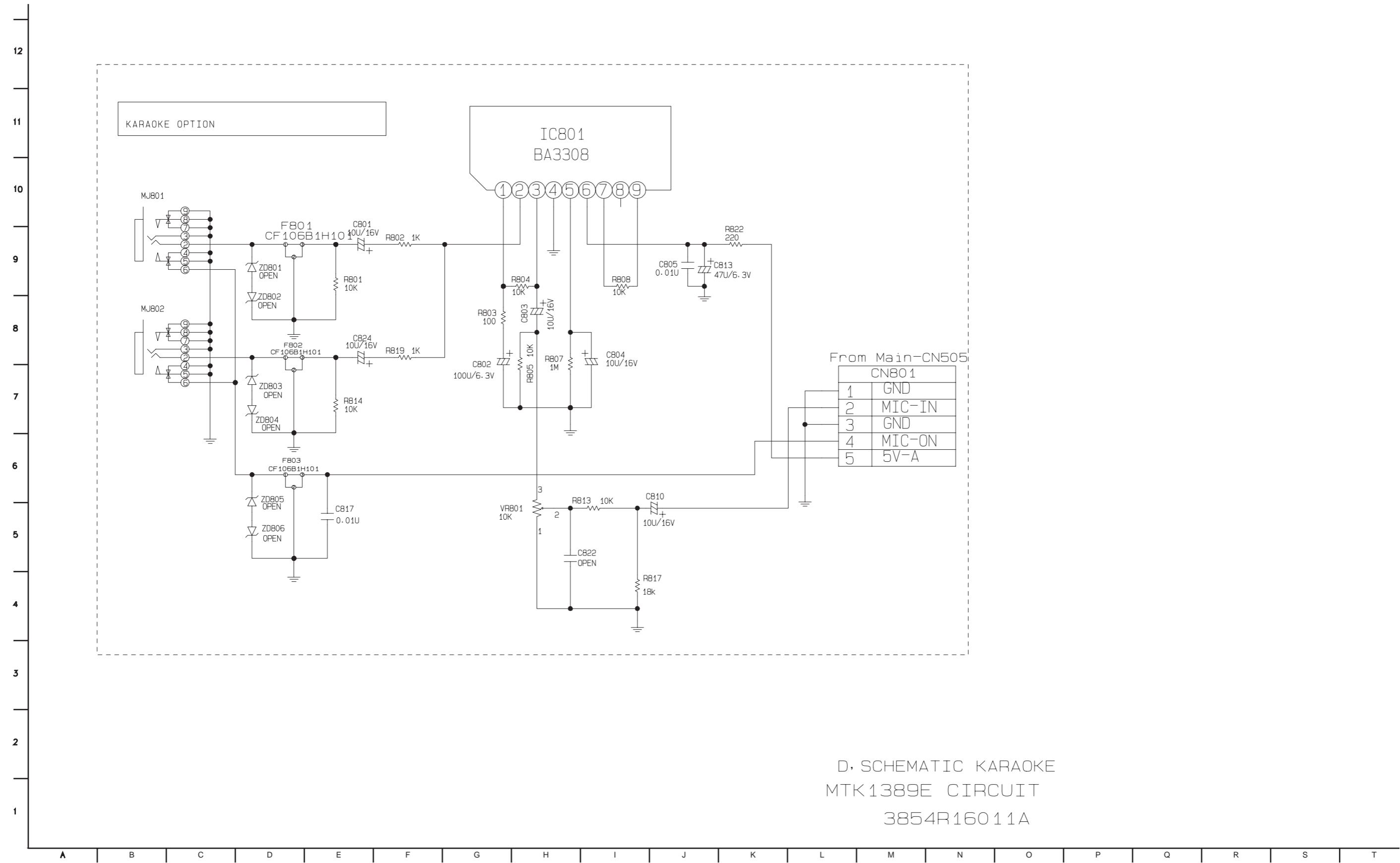
CN903	
POWER	1
GND	2
5V	3
3.3VA	4
GND	5
IR	6
GND	7
STB	8
CLK	9
GND	10
DIN	11
DOUT	12

CN902	
POWER	1
GND	2
K1	3
K2	4
S1	5
S2	6
S4	7
GND	8

DIG901	
S1	1 SEG1
S2	2 SEG2
S3	3 SEG3
S4	4 SEG4
S5	5 SEG5
S6	6 SEG6
S7	7 SEG7
S8	8 SEG8
S9	9 SEG9
S10	10 SEG10
G6	11 GR6
G5	12 GR5
G4	13 GR4
G3	14 GR3
G2	15 GR2
G1	16 GR1

06 NAD TIMER
3854R19284A(060116)

7. KARAOKE CIRCUIT DIAGRAM (KARAOKE MODEL ONLY)

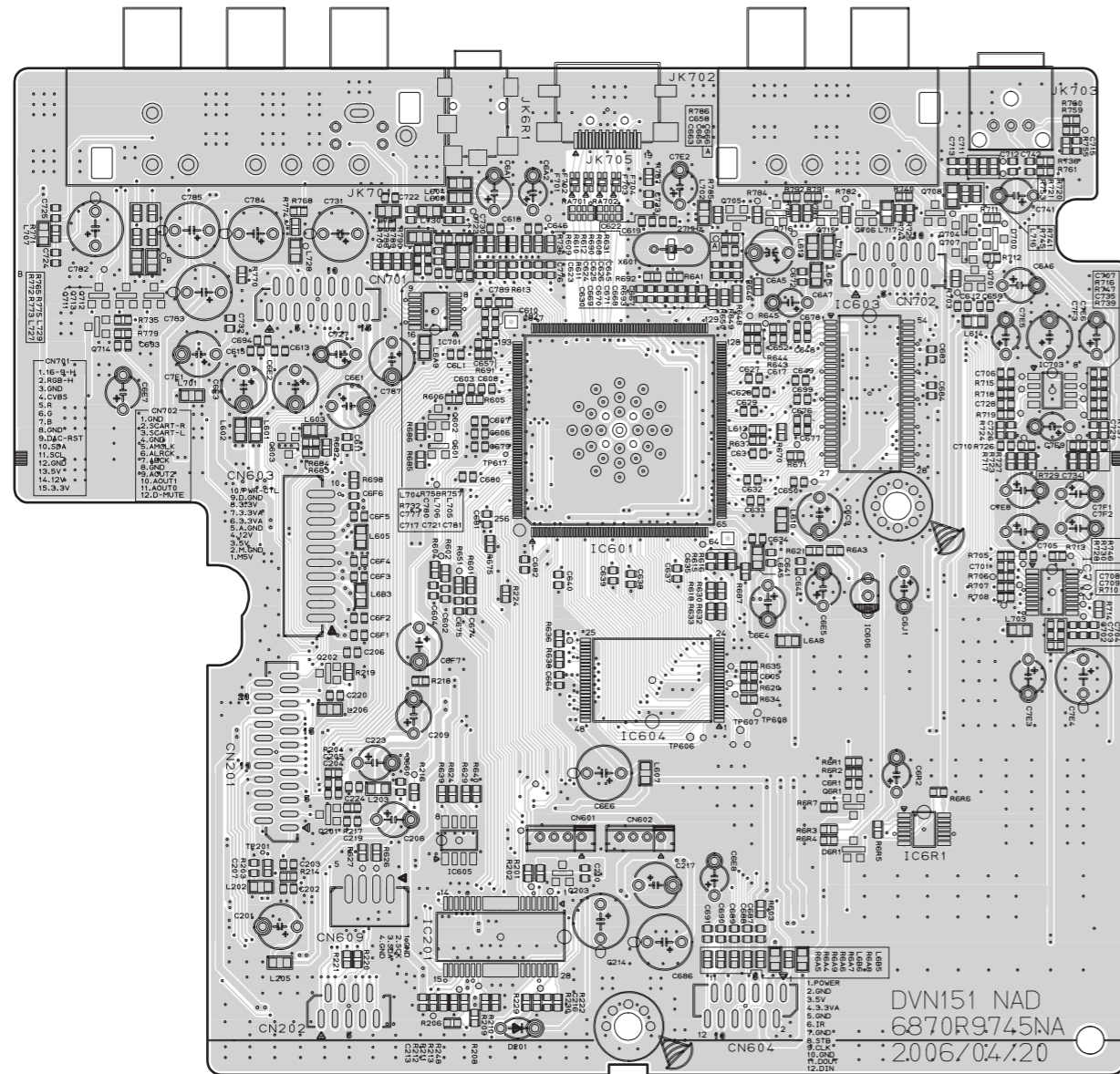


D. SCHEMATIC KARAOKE
 MTK1389E CIRCUIT
 3854R16011A

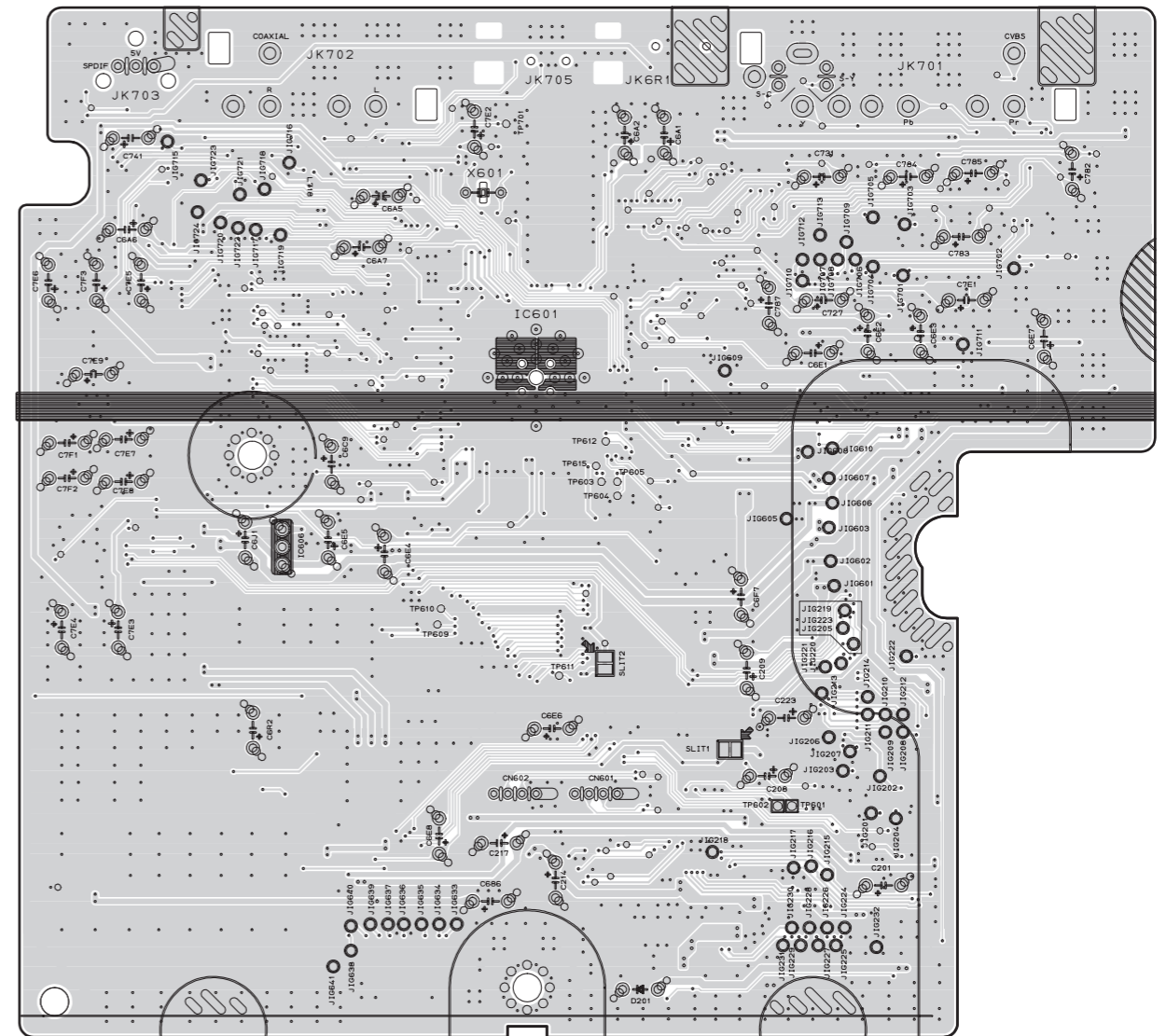
PRINTED CIRCUIT DIAGRAMS

1. MAIN P.C.BOARD

(TOP VIEW)

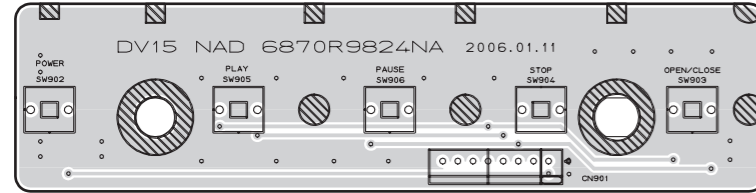


(BOTTOM VIEW)

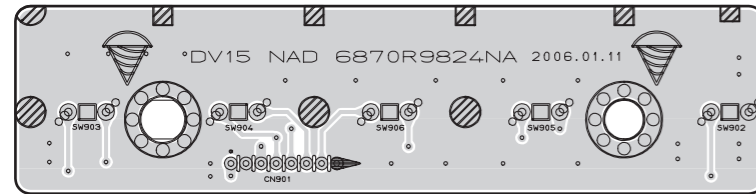


2. KEY P.C.BOARD

(TOP VIEW)

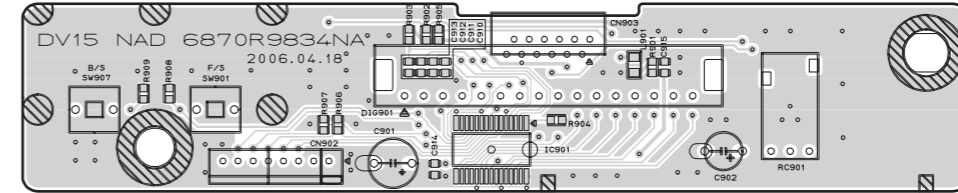


(BOTTOM VIEW)

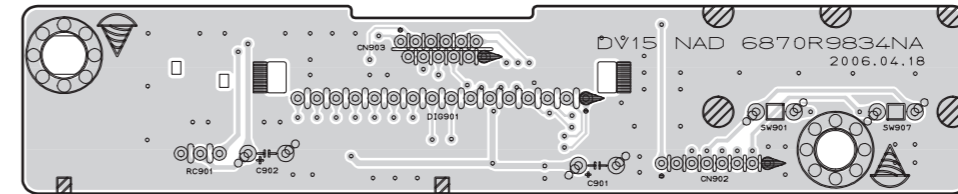


3. TIMER P.C.BOARD

(TOP VIEW)

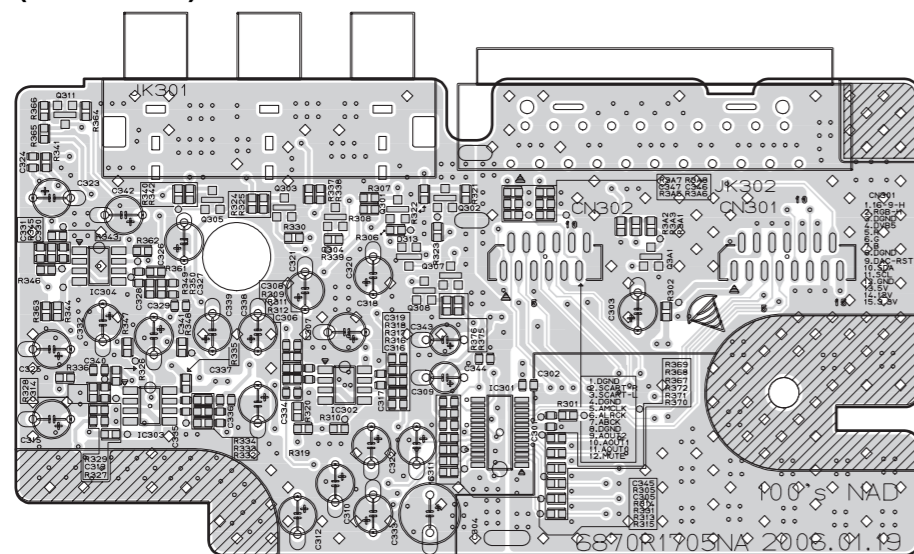


(BOTTOM VIEW)

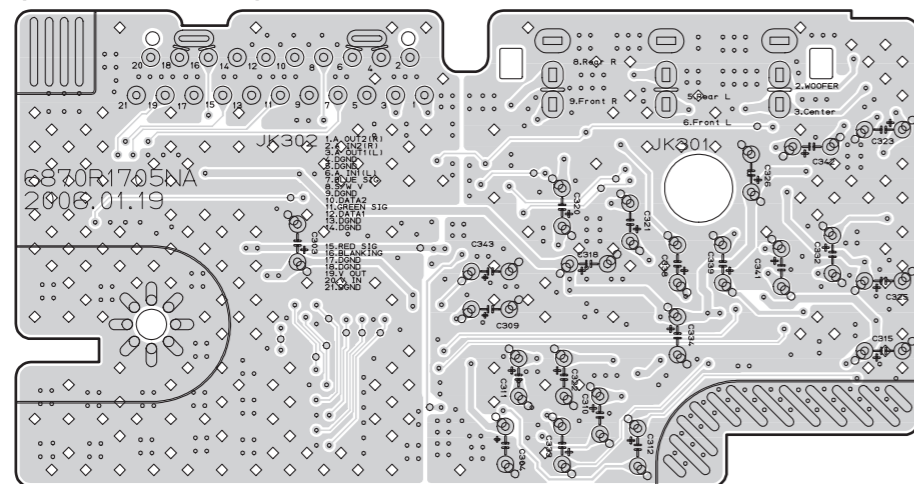


4. SCART P.C.BOARD

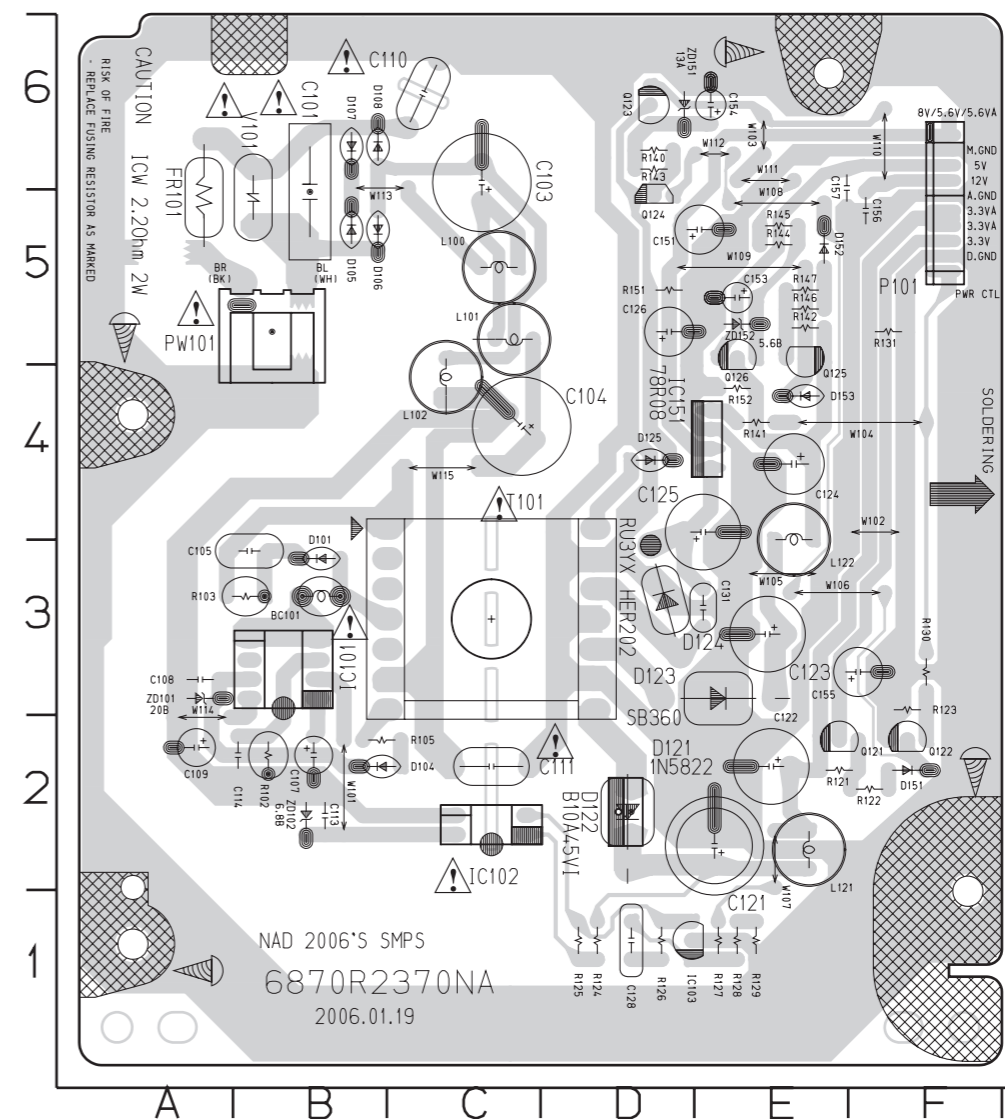
(TOP VIEW)



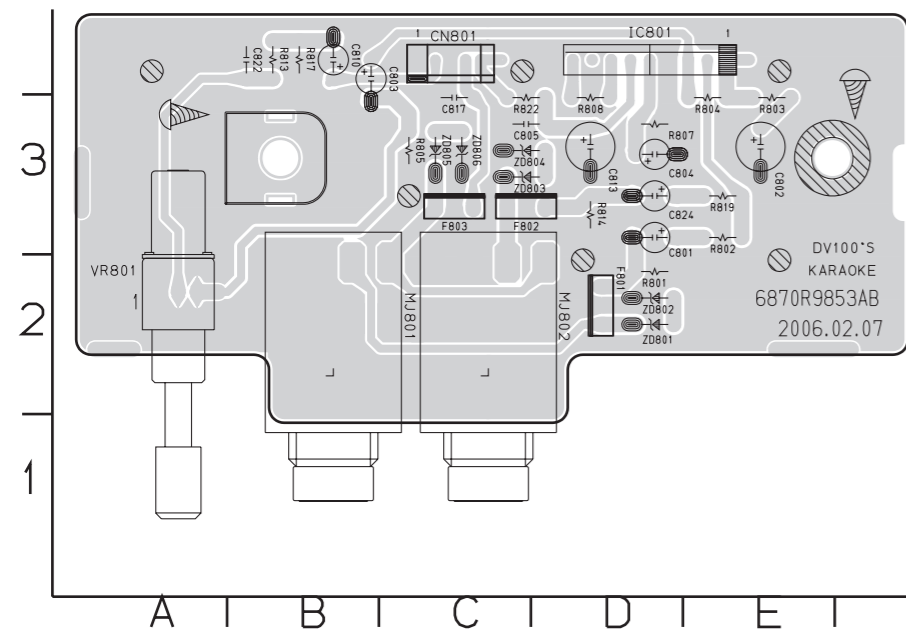
(BOTTOM VIEW)



5. SMPS P.C.BOARD



6. KARAOKE P.C.BOARD(KARAOKE MODEL ONLY)(6, 7, 9 TOOL)



NOTES) If you want to purchase
Flash memory, you must order
" IC604A"

NOTES) ⚠ Warning
Parts that are shaded are critical with
respect to risk of fire or electrical
shock.

SECTION 4a REPLACEMENT PARTS LIST

MODEL : T515C(NAD)

RUN DATE : 04-JULY-06

S	AL	LOCA. NO.	PART NO.	DESCRIPTION	SPECIFICATION	REMARKS
*** INDIVIDUAL PARTS ***						
		250	3110R-D036A	Case	DVN15 PRESS NAD	
		283	3580R-T229A	Door,Case	DVD DVN15 MOLD NAD	
		300	6410RCHX03A	Power Cord Assembly	CE-503/JL201B H03VVH2-F 0.75/2	
		463	1SZZR-0098G	Screw,Customzied	- + 3MM 8MM MSWR FZW	
		465	1SZZR-0097K	Screw,Customzied	- + 3MM 10MM MSWR FZB SIN JIN	
		801	3835RD0098Z	Manual Assembly	DVD DVN156NH-HA1UNN/DVN156EH-H	
		802	3890R-C420D	Box,Master	DVN156EH HA6ENN SW3-A GRAY	
		803	3920R-E227A	Packing	DVD DVN15 1 NAD	
		804	3880R-E002A	Bag,Vinyl	CUTTING HDPE 430 500 0.5 DVD90	NSP
		808	6910A90004A	Battery,Alkaline	R03P 1500MV 4AH AAA	
		808	841-0021	Battery,Manganese	ER03X 1500MV 500MAH AAA	ALTERNATE
		900	6711R2N124C	Remote Controller Assembly	NAD DVN156 NAD	
*** Board Assembly ***						
		A43	3501RF9903D	Board Assembly	DVD DVN156EH HA6ENN FRONT(D/GR	
		280	3721R-F465D	Panel Assembly,Front	DVD DVN156EH HA6ENN NAD (D/GRA	NSP
		452	1SZZR-0098A	Screw,Customzied	- + 3MM 10MM MSWR FZY SIN JIN	
		A49	6871R-9634A	PCB Assembly	DVD100S NAD MODEL TIMER SH	
		C901	0CE2274C638	Capacitor,AL,Radial	ESS227M6R3T1A5E07G 220uF 20% 6	
		C902	0CE4764C638	Capacitor,AL,Radial	ESS476M6R3T1A5C07G 47uF 20% 6.	
		CN902	6631R-E0349	CONNECTOR ASSEMBLY	GIL-S/9073ST 8PIN 220M/M 10000	
		CN903	6630R-FB05L	Conector,FFC/FPC/PIC	00-6232-012-104-800 12P 1.00MM	
		DIG901	6301R2U017G	LED Assembly	TOS-2604AW-B4 OASIS LED CLOCK	
		RC901	6712R1238HA	Receiver Module	AT138ARF1(346HF6N2-B) 2.7TO6V	
		SW901	6600R000036	Switch,Tact	EVQ22505R 1C1P 15VDC 0.02A VER	
		SW901	6600R000039	Switch,Tact	TSH-2VT 1C1P 12VDC 0.05A VERTI	ALTERNATE
		SW907	6600R000036	Switch,Tact	EVQ22505R 1C1P 15VDC 0.02A VER	
		SW907	6600R000039	Switch,Tact	TSH-2VT 1C1P 12VDC 0.05A VERTI	ALTERNATE
		C910	0CH4151K412	Capacitor,Ceramic,Chip	0603N151J500LT 150pF 5% 50V C0	
		C911	0CH4151K412	Capacitor,Ceramic,Chip	0603N151J500LT 150pF 5% 50V C0	
		C912	0CH4151K412	Capacitor,Ceramic,Chip	0603N151J500LT 150pF 5% 50V C0	
		C913	0CH4151K412	Capacitor,Ceramic,Chip	0603N151J500LT 150pF 5% 50V C0	
		C914	0CH1104K942	Capacitor,Ceramic,Chip	0603F104Z500CT 100nF -20TO+80%	
		C915	0CH1104K942	Capacitor,Ceramic,Chip	0603F104Z500CT 100nF -20TO+80%	
		IC901	0IPRP00723A	IC,I/O Support Chip	pt6965 4.5TO5.5V 400mA 500kHz	
		L901	6200HJC102A	Filter,Bead	HB-1M2012-102JT 1000OHM 2X1.25	
		R901	0RH0471C622	Resistor,Chip	MCR03EZPJ4R7 4.7OHM 5% 1/10W 1	
		R902	0RH4701C622	Resistor,Chip	MCR03EZPJ472 4.7KOHM 5% 1/10W	
		R903	0RH4701C622	Resistor,Chip	MCR03EZPJ472 4.7KOHM 5% 1/10W	
		R904	0RH5102C622	Resistor,Chip	MCR03EZPJ513 51KOHM 5% 1/10W 1	
		R905	0RH3300C622	Resistor,Chip	MCR03EZPJ331 330OHM 5% 1/10W 1	
		R906	0RH1002C622	Resistor,Chip	MCR03EZPJ103 10KOHM 5% 1/10W 1	
		R907	0RH1002C622	Resistor,Chip	MCR03EZPJ103 10KOHM 5% 1/10W 1	
		R908	0RH1002C622	Resistor,Chip	MCR03EZPJ103 10KOHM 5% 1/10W 1	
		R909	0RH1002C622	Resistor,Chip	MCR03EZPJ103 10KOHM 5% 1/10W 1	
		A42	6871R-9374A	PCB Assembly	ZORAN 888 NAD MODEL KEY ASSY S	
		CN901	561-711H	Conector,Wafer	GIL-S-08P-S2T2-EF 8P 2.00MM 1R	
		SW902	6600R000036	Switch,Tact	EVQ22505R 1C1P 15VDC 0.02A VER	

S	AL	LOCA. NO.	PART NO.	DESCRIPTION	SPECIFICATION	REMARKS
		SW903	6600R000036	Switch,Tact	EVQ22505R 1C1P 15VDC 0.02A VER	
		SW904	6600R000036	Switch,Tact	EVQ22505R 1C1P 15VDC 0.02A VER	
		SW905	6600R000036	Switch,Tact	EVQ22505R 1C1P 15VDC 0.02A VER	
		SW906	6600R000036	Switch,Tact	EVQ22505R 1C1P 15VDC 0.02A VER	
		CABLE90	6850R-GL14Z	Cable,FFC	DV191KEM 140MM 2.00MM NO WHITE	
*** Deck Assembly,DVD ***						
		A00	6721RHD080D	Deck Assembly,DVD	DVD DP-10 ZORAN888 PLAYER (SH)	NSP
		430	1SZZR-0064B	Screw,Customzied	- + 1.7MM 7MM SWRCH FZB	
		A02	3041R-D041A	Base Assembly	MAIN DP-10 (SH)	
		013	4400R-0010A	Belt	MOLD RUBBER DVD DP-9 OTHER LOA	
		014	4470R-0154A	Gear	MOLD POM DECK/MECHA DP8 PULLE	
		015	4681R-A015A	Motor,Unclassified	DECK/MECHA LOADING DP-9 SH	
		017	4470R-0176A	Gear	MOLD POM DVD DP-9 LOADING MO	
		018	4974R-0066A	Guide	MOLD POM DVD DP-9 UP/DOWN MOL	
		019	3210R-M007A	Frame	MOLD ABS DP-9 UP/DOWN MOLD	
		020	3040R-M062A	Base	MOLD ABS MAIN DP-9 MOLD	
		435	1SZZR-0011A	Screw,Customzied	MACHINE	
		439	1SZZR-0075A	Screw,Customzied	- + 1.7MM 10MM SWRCH FZW	
		440	1SZZH-1007B	Screw,Customzied	+ D2.0 6MM SWRCH16A/ZNBK 4MM 1	
		015A	4680R-E008A	Motor,DC	RF-300EA-1D390 2V 90MA 25MA 1.	NSP
		015B	4560R-0008A	Pulley	MOLD POM MOTOR	
		016	6871R-4067A	PCB Assembly	D-10 FEEDING/LOADING	
		A03	3041R-M076A	Base Assembly	SLED DP10 (ZORAN 888)	
		010	6850R-JW24Y	Cable,FFC	1.0-23-240-E-5x10x5x10-0.035x0	
		021	4681R-B009C	Motor,Unclassified	DECK/MECHA DP-10 FEEDING	
		024	4470R-0179A	Gear	MOLD POM DVD DP-9 PINION MOL	
		025	4470R-0178A	Gear	MOLD POM DVD DP-9 MIDDLE MOLD	
		030	4470R-0180A	Gear	MOLD POM DVD DP-9 RACK MOLD	
		036	4370R-0136A	Shaft	CUTTING STS 301 DVD PU, DR-02	
		431	1SZZR-0062A	Screw,Customzied	- + 1.7MM 4.5MM SWRCH NI PLT	
		432	1SZZR-0072A	Screw,Customzied	- + 1.7MM 4.5MM SWRCH FZY	
		435	1SZZR-0011A	Screw,Customzied	MACHINE	
		439	1SZZR-0075A	Screw,Customzied	- + 1.7MM 10MM SWRCH FZW	
		026	3390R-0029A	Tray	MOLD ABS DVD DP-9 DISK MOLD	
		A01	4861R-0016B	Clamp Assembly	DISC DP7 - SH	
		001	3300R-0547A	Plate	PRESS STS 301 T0.3 CLAMP	NSP
		002	5016H-1016B	Magnet	CLAMP(LDM-R608,10*5,1*1.5T)	NSP
		003	4860R-0021A	Clamp	MOLD POM UPPER DP7	NSP
		012	5040R-0083A	Damper	CUTTING RUBBER DVD DP-6, DP-8	
		012A	5040R-0110A	Damper	CUTTING RUBBER DVD REAR DP8 RI	
*** Option Code Assembly ***						
		A46	6885R-8313Y	Option Code Assembly	DVN156EH HA6ENNT 55(U) 53(S) 0	
		IC604A	SAA30018605	S/W,Firmware	NV10C40223B.ZIH . WORLD WIDE .	
		JK701	6612J10029F	Jack,RCA	RCA-513A-01-01G 15.0MM 2RX3C A	
		JK702	6612J10030B	Jack,RCA	RCA-425A-01-01G 15MM 2RX2C ANG	
		JK703	6612K00003D	Jack,Fiber Optic	JST1164 3P TX 2.54MM ANGLE 13.	
		X601	6212AA2270W	Crystal	HC-49S SIWARD 27MHZ +/- 20 PPM	
		X601	6212AA2271F	Crystal	HC-49/S 27MHZ 20PPM 27MHZ 20PP	ALTERNATE
		C201	0CE1074F638	Capacitor,AL,Radial	SRA5.0TP16VB100M 100uF 20% 16V	
		C208	0CE4764C638	Capacitor,AL,Radial	ESS476M6R3T1A5C07G 47uF 20% 6.	
		C209	0CE4764C638	Capacitor,AL,Radial	ESS476M6R3T1A5C07G 47uF 20% 6.	
		C214	0CE4775C638	Capacitor,Unclassified	470UF SR,SV 6.3V 20% FM5 TP 5	
		C217	0CE1074F638	Capacitor,AL,Radial	SRA5.0TP16VB100M 100uF 20% 16V	
		C223	0CE4764C638	Capacitor,AL,Radial	ESS476M6R3T1A5C07G 47uF 20% 6.	
		C686	0CE4775C638	Capacitor,Unclassified	470UF SR,SV 6.3V 20% FM5 TP 5	
		C6A1	0CE4764C638	Capacitor,AL,Radial	ESS476M6R3T1A5C07G 47uF 20% 6.	
		C6A2	0CE1064F638	Capacitor,AL,Radial	ESS106M016T1A5B07G 10uF 20% 16	

S	AL	LOCA. NO.	PART NO.	DESCRIPTION	SPECIFICATION	REMARKS
		C6A5	0CE1074F638	Capacitor,AL,Radial	SRA5.0TP16VB100M 100uF 20% 16V	
		C6A6	0CE4764C638	Capacitor,AL,Radial	ESS476M6R3T1A5C07G 47uF 20% 6.	
		C6A7	0CE1064F638	Capacitor,AL,Radial	ESS106M016T1A5B07G 10uF 20% 16	
		C6C9	0CE2274C638	Capacitor,AL,Radial	ESS227M6R3T1A5E07G 220uF 20% 6	
		C6E1	0CE2274C638	Capacitor,AL,Radial	ESS227M6R3T1A5E07G 220uF 20% 6	
		C6E2	0CE1074F638	Capacitor,AL,Radial	SRA5.0TP16VB100M 100uF 20% 16V	
		C6E3	0CE1074F638	Capacitor,AL,Radial	SRA5.0TP16VB100M 100uF 20% 16V	
		C6E4	0CE4764C638	Capacitor,AL,Radial	ESS476M6R3T1A5C07G 47uF 20% 6.	
		C6E5	0CE4764C638	Capacitor,AL,Radial	ESS476M6R3T1A5C07G 47uF 20% 6.	
		C6E6	0CE4775C638	Capacitor,Unclassified	470UF SR,SV 6.3V 20% FM5 TP 5	
		C6E7	0CE3363F638	Capacitor,AL,Radial	SRE5.0TP16VB33M 33uF 20% 16V 4	
		C6E8	0CE1064F638	Capacitor,AL,Radial	ESS106M016T1A5B07G 10uF 20% 16	
		C6F7	0CE2274C638	Capacitor,AL,Radial	ESS227M6R3T1A5E07G 220uF 20% 6	
		C6J1	0CE1064F638	Capacitor,AL,Radial	ESS106M016T1A5B07G 10uF 20% 16	
		C6R2	0CE1064F638	Capacitor,AL,Radial	ESS106M016T1A5B07G 10uF 20% 16	
		C727	0CE2264F638	Capacitor,AL,Radial	ESS226M016T1A5B07G 22uF 20% 16	
		C741	0CE4764C638	Capacitor,AL,Radial	ESS476M6R3T1A5C07G 47uF 20% 6.	
		C782	0CE4775C638	Capacitor,Unclassified	470UF SR,SV 6.3V 20% FM5 TP 5	
		C783	0CE4775C638	Capacitor,Unclassified	470UF SR,SV 6.3V 20% FM5 TP 5	
		C784	0CE4775C638	Capacitor,Unclassified	470UF SR,SV 6.3V 20% FM5 TP 5	
		C785	0CE4775C638	Capacitor,Unclassified	470UF SR,SV 6.3V 20% FM5 TP 5	
		C787	0CE1074F638	Capacitor,AL,Radial	SRA5.0TP16VB100M 100uF 20% 16V	
		C7E1	0CE2274C638	Capacitor,AL,Radial	ESS227M6R3T1A5E07G 220uF 20% 6	
		C7E2	0CE2264F638	Capacitor,AL,Radial	ESS226M016T1A5B07G 22uF 20% 16	
		C7E3	0CE4764C638	Capacitor,AL,Radial	ESS476M6R3T1A5C07G 47uF 20% 6.	
		C7E4	0CE4773F638	Capacitor,Unclassified	470UF SRE,SE 16V 20% FM5 TP 5	
		C7E5	0CE2264F638	Capacitor,AL,Radial	ESS226M016T1A5B07G 22uF 20% 16	
		C7E6	0CE2264F638	Capacitor,AL,Radial	ESS226M016T1A5B07G 22uF 20% 16	
		C7E7	0CE2264F638	Capacitor,AL,Radial	ESS226M016T1A5B07G 22uF 20% 16	
		C7E8	0CE2264F638	Capacitor,AL,Radial	ESS226M016T1A5B07G 22uF 20% 16	
		C7E9	0CE2264F638	Capacitor,AL,Radial	ESS226M016T1A5B07G 22uF 20% 16	
		C7F1	0CE2264F638	Capacitor,AL,Radial	ESS226M016T1A5B07G 22uF 20% 16	
		C7F2	0CE2264F638	Capacitor,AL,Radial	ESS226M016T1A5B07G 22uF 20% 16	
		C7F3	0CE1074F638	Capacitor,AL,Radial	SRA5.0TP16VB100M 100uF 20% 16V	
		D201	0DR104009AB	Diode,Rectifier	RL104R 400V 1.1V 5UA 30A - A40	
		IC606	0IKE702700B	IC,Unclassified	KIA7027P ST RESET IC TO-92 - -	
		C202	0CH1104K942	Capacitor,Ceramic,Chip	0603F104Z500CT 100nF -20TO+80%	
		C203	0CH1103K562	Capacitor,Ceramic,Chip	0603B103K500CT 10nF 10% 50V X7	
		C204	0CH1104K942	Capacitor,Ceramic,Chip	0603F104Z500CT 100nF -20TO+80%	
		C205	0CH1104K942	Capacitor,Ceramic,Chip	0603F104Z500CT 100nF -20TO+80%	
		C206	0CH1104K942	Capacitor,Ceramic,Chip	0603F104Z500CT 100nF -20TO+80%	
		C207	0CH1104K942	Capacitor,Ceramic,Chip	0603F104Z500CT 100nF -20TO+80%	
		C210	0CH1104K942	Capacitor,Ceramic,Chip	0603F104Z500CT 100nF -20TO+80%	
		C211	0CH4330K412	Capacitor,Ceramic,Chip	0603N330J500LT 33pF 5% 50V C0G	
		C213	0CH1104K942	Capacitor,Ceramic,Chip	0603F104Z500CT 100nF -20TO+80%	
		C216	0CH4101K412	Capacitor,Ceramic,Chip	0603N101J500LT 100pF 5% 50V C0	
		C219	0CH1104K942	Capacitor,Ceramic,Chip	0603F104Z500CT 100nF -20TO+80%	
		C220	0CH1104K942	Capacitor,Ceramic,Chip	0603F104Z500CT 100nF -20TO+80%	
		C224	0CH1103K562	Capacitor,Ceramic,Chip	0603B103K500CT 10nF 10% 50V X7	
		C602	0CH1273F562	Capacitor,Ceramic,Chip	0603B273K160CT 27nF 10% 16V X7	
		C603	0CH4330K412	Capacitor,Ceramic,Chip	0603N330J500LT 33pF 5% 50V C0G	
		C604	0CH1102K562	Capacitor,Ceramic,Chip	0603B102K500CT 1nF 10% 50V X7R	
		C605	0CH1103K562	Capacitor,Ceramic,Chip	0603B103K500CT 10nF 10% 50V X7	
		C606	0CH1103K562	Capacitor,Ceramic,Chip	0603B103K500CT 10nF 10% 50V X7	
		C607	0CH1103K562	Capacitor,Ceramic,Chip	0603B103K500CT 10nF 10% 50V X7	
		C608	0CH1104K942	Capacitor,Ceramic,Chip	0603F104Z500CT 100nF -20TO+80%	
		C610	0CH1102K562	Capacitor,Ceramic,Chip	0603B102K500CT 1nF 10% 50V X7R	

S	AL	LOCA. NO.	PART NO.	DESCRIPTION	SPECIFICATION	REMARKS
		C611	0CH1104K942	Capacitor,Ceramic,Chip	0603F104Z500CT 100nF -20TO+80%	
		C613	0CH1104K942	Capacitor,Ceramic,Chip	0603F104Z500CT 100nF -20TO+80%	
		C615	0CH1104K942	Capacitor,Ceramic,Chip	0603F104Z500CT 100nF -20TO+80%	
		C617	0CH1104K942	Capacitor,Ceramic,Chip	0603F104Z500CT 100nF -20TO+80%	
		C618	0CH1101F642	Capacitor,Ceramic,Chip	C1608Y5V1C101MT 100pF 20% 16V	
		C619	0CH4150K412	Capacitor,Ceramic,Chip	0603N150J500LT 15pF 5% 50V C0G	
		C622	0CH4180K412	Capacitor,Ceramic,Chip	0603N180J500LT 18pF 5% 50V C0G	
		C623	0CH1103K562	Capacitor,Ceramic,Chip	0603B103K500CT 10nF 10% 50V X7	
		C624	0CH1104K942	Capacitor,Ceramic,Chip	0603F104Z500CT 100nF -20TO+80%	
		C625	0CH1103K562	Capacitor,Ceramic,Chip	0603B103K500CT 10nF 10% 50V X7	
		C626	0CH1101F642	Capacitor,Ceramic,Chip	C1608Y5V1C101MT 100pF 20% 16V	
		C627	0CH1103K562	Capacitor,Ceramic,Chip	0603B103K500CT 10nF 10% 50V X7	
		C628	0CH1103K562	Capacitor,Ceramic,Chip	0603B103K500CT 10nF 10% 50V X7	
		C629	0CH1103K562	Capacitor,Ceramic,Chip	0603B103K500CT 10nF 10% 50V X7	
		C630	0CH1103K562	Capacitor,Ceramic,Chip	0603B103K500CT 10nF 10% 50V X7	
		C631	0CH1103K562	Capacitor,Ceramic,Chip	0603B103K500CT 10nF 10% 50V X7	
		C632	0CH1103K562	Capacitor,Ceramic,Chip	0603B103K500CT 10nF 10% 50V X7	
		C633	0CH1103K562	Capacitor,Ceramic,Chip	0603B103K500CT 10nF 10% 50V X7	
		C634	0CH1103K562	Capacitor,Ceramic,Chip	0603B103K500CT 10nF 10% 50V X7	
		C635	0CH1103K562	Capacitor,Ceramic,Chip	0603B103K500CT 10nF 10% 50V X7	
		C637	0CH1103K562	Capacitor,Ceramic,Chip	0603B103K500CT 10nF 10% 50V X7	
		C638	0CH1103K562	Capacitor,Ceramic,Chip	0603B103K500CT 10nF 10% 50V X7	
		C639	0CH1103K562	Capacitor,Ceramic,Chip	0603B103K500CT 10nF 10% 50V X7	
		C640	0CH1103K562	Capacitor,Ceramic,Chip	0603B103K500CT 10nF 10% 50V X7	
		C641	0CH1102K562	Capacitor,Ceramic,Chip	0603B102K500CT 1nF 10% 50V X7R	
		C644	0CH1104K942	Capacitor,Ceramic,Chip	0603F104Z500CT 100nF -20TO+80%	
		C645	0CH1103K562	Capacitor,Ceramic,Chip	0603B103K500CT 10nF 10% 50V X7	
		C646	0CH1101F642	Capacitor,Ceramic,Chip	C1608Y5V1C101MT 100pF 20% 16V	
		C647	0CH1102K562	Capacitor,Ceramic,Chip	0603B102K500CT 1nF 10% 50V X7R	
		C648	0CH1103K562	Capacitor,Ceramic,Chip	0603B103K500CT 10nF 10% 50V X7	
		C649	0CH1103K562	Capacitor,Ceramic,Chip	0603B103K500CT 10nF 10% 50V X7	
		C650	0CH1103K562	Capacitor,Ceramic,Chip	0603B103K500CT 10nF 10% 50V X7	
		C652	0CH1101F642	Capacitor,Ceramic,Chip	C1608Y5V1C101MT 100pF 20% 16V	
		C657	0CH1103K562	Capacitor,Ceramic,Chip	0603B103K500CT 10nF 10% 50V X7	
		C658	0CH1104K942	Capacitor,Ceramic,Chip	0603F104Z500CT 100nF -20TO+80%	
		C659	0CH1104K942	Capacitor,Ceramic,Chip	0603F104Z500CT 100nF -20TO+80%	
		C660	0CH1104K942	Capacitor,Ceramic,Chip	0603F104Z500CT 100nF -20TO+80%	
		C664	0CH1104K942	Capacitor,Ceramic,Chip	0603F104Z500CT 100nF -20TO+80%	
		C665	0CH4330K412	Capacitor,Ceramic,Chip	0603N330J500LT 33pF 5% 50V C0G	
		C666	0CH4330K412	Capacitor,Ceramic,Chip	0603N330J500LT 33pF 5% 50V C0G	
		C667	0CH1103K562	Capacitor,Ceramic,Chip	0603B103K500CT 10nF 10% 50V X7	
		C668	0CH1103K562	Capacitor,Ceramic,Chip	0603B103K500CT 10nF 10% 50V X7	
		C669	0CH1103K562	Capacitor,Ceramic,Chip	0603B103K500CT 10nF 10% 50V X7	
		C670	0CH1103K562	Capacitor,Ceramic,Chip	0603B103K500CT 10nF 10% 50V X7	
		C671	0CH1103K562	Capacitor,Ceramic,Chip	0603B103K500CT 10nF 10% 50V X7	
		C672	0CH1102K562	Capacitor,Ceramic,Chip	0603B102K500CT 1nF 10% 50V X7R	
		C674	0CH1102K562	Capacitor,Ceramic,Chip	0603B102K500CT 1nF 10% 50V X7R	
		C675	0CH1223F512	Capacitor,Ceramic,Chip	0603B223K160CT 22nF 10% 16V Y5	
		C676	0CH4330K412	Capacitor,Ceramic,Chip	0603N330J500LT 33pF 5% 50V C0G	
		C677	0CH4330K412	Capacitor,Ceramic,Chip	0603N330J500LT 33pF 5% 50V C0G	
		C678	0CH1103K562	Capacitor,Ceramic,Chip	0603B103K500CT 10nF 10% 50V X7	
		C679	0CH1103K562	Capacitor,Ceramic,Chip	0603B103K500CT 10nF 10% 50V X7	
		C680	0CH1103K562	Capacitor,Ceramic,Chip	0603B103K500CT 10nF 10% 50V X7	
		C681	0CH1103K562	Capacitor,Ceramic,Chip	0603B103K500CT 10nF 10% 50V X7	
		C683	0CH1103K562	Capacitor,Ceramic,Chip	0603B103K500CT 10nF 10% 50V X7	
		C684	0CH1103K562	Capacitor,Ceramic,Chip	0603B103K500CT 10nF 10% 50V X7	
		C687	0CH4221K412	Capacitor,Ceramic,Chip	0603N221J500LT 220pF 5% 50V C0	

S	AL	LOCA. NO.	PART NO.	DESCRIPTION	SPECIFICATION	REMARKS
		C688	0CH4221K412	Capacitor,Ceramic,Chip	0603N221J500LT 220pF 5% 50V C0	
		C689	0CH4221K412	Capacitor,Ceramic,Chip	0603N221J500LT 220pF 5% 50V C0	
		C690	0CH4221K412	Capacitor,Ceramic,Chip	0603N221J500LT 220pF 5% 50V C0	
		C691	0CH4221K412	Capacitor,Ceramic,Chip	0603N221J500LT 220pF 5% 50V C0	
		C693	0CH4330K412	Capacitor,Ceramic,Chip	0603N330J500LT 33pF 5% 50V C0G	
		C694	0CH4330K412	Capacitor,Ceramic,Chip	0603N330J500LT 33pF 5% 50V C0G	
		C699	0CH1103K562	Capacitor,Ceramic,Chip	0603B103K500CT 10nF 10% 50V X7	
		C6F1	0CH1104K942	Capacitor,Ceramic,Chip	0603F104Z500CT 100nF -20TO+80%	
		C6F2	0CH1104K942	Capacitor,Ceramic,Chip	0603F104Z500CT 100nF -20TO+80%	
		C6F3	0CH1104K942	Capacitor,Ceramic,Chip	0603F104Z500CT 100nF -20TO+80%	
		C6F4	0CH1104K942	Capacitor,Ceramic,Chip	0603F104Z500CT 100nF -20TO+80%	
		C6F5	0CH1104K942	Capacitor,Ceramic,Chip	0603F104Z500CT 100nF -20TO+80%	
		C6F6	0CH1104K942	Capacitor,Ceramic,Chip	0603F104Z500CT 100nF -20TO+80%	
		C6L1	0CH1102K562	Capacitor,Ceramic,Chip	0603B102K500CT 1nF 10% 50V X7R	
		C6R1	0CH1473K562	Capacitor,Ceramic,Chip	0603B473K500CT 47nF 10% 50V X7	
		C701	0CH1104K942	Capacitor,Ceramic,Chip	0603F104Z500CT 100nF -20TO+80%	
		C702	0CH1104K942	Capacitor,Ceramic,Chip	0603F104Z500CT 100nF -20TO+80%	
		C703	0CH1105F942	Capacitor,Ceramic,Chip	0603F105Z160CT 1uF -20TO+80% 1	
		C704	0CH1105F942	Capacitor,Ceramic,Chip	0603F105Z160CT 1uF -20TO+80% 1	
		C705	0CH1103K562	Capacitor,Ceramic,Chip	0603B103K500CT 10nF 10% 50V X7	
		C706	0CH4392K412	Capacitor,Ceramic,Chip	C1608C0G1H392JT 3.9nF 5% 50V C	
		C707	0CH4392K412	Capacitor,Ceramic,Chip	C1608C0G1H392JT 3.9nF 5% 50V C	
		C708	0CH1104K942	Capacitor,Ceramic,Chip	0603F104Z500CT 100nF -20TO+80%	
		C709	0CH1104K942	Capacitor,Ceramic,Chip	0603F104Z500CT 100nF -20TO+80%	
		C710	0CH1102K562	Capacitor,Ceramic,Chip	0603B102K500CT 1nF 10% 50V X7R	
		C711	0CH1104K942	Capacitor,Ceramic,Chip	0603F104Z500CT 100nF -20TO+80%	
		C712	0CH1104K942	Capacitor,Ceramic,Chip	0603F104Z500CT 100nF -20TO+80%	
		C713	0CH4220K412	Capacitor,Ceramic,Chip	0603N220J500LT 22pF 5% 50V C0G	
		C715	0CH4270K412	Capacitor,Ceramic,Chip	0603N270J500LT 27pF 5% 50V C0G	
		C726	0CH4271K412	Capacitor,Ceramic,Chip	C1608C0G1H271JT 270pF 5% 50V C	
		C728	0CH4271K412	Capacitor,Ceramic,Chip	C1608C0G1H271JT 270pF 5% 50V C	
		C729	0CH4271K412	Capacitor,Ceramic,Chip	C1608C0G1H271JT 270pF 5% 50V C	
		C732	0CH1104K942	Capacitor,Ceramic,Chip	0603F104Z500CT 100nF -20TO+80%	
		C733	0CH1104K942	Capacitor,Ceramic,Chip	0603F104Z500CT 100nF -20TO+80%	
		C734	0CH1102K562	Capacitor,Ceramic,Chip	0603B102K500CT 1nF 10% 50V X7R	
		C735	0CH4271K412	Capacitor,Ceramic,Chip	C1608C0G1H271JT 270pF 5% 50V C	
		C742	0CH1104K942	Capacitor,Ceramic,Chip	0603F104Z500CT 100nF -20TO+80%	
		C776	0CH1105F942	Capacitor,Ceramic,Chip	0603F105Z160CT 1uF -20TO+80% 1	
		C777	0CH1105F942	Capacitor,Ceramic,Chip	0603F105Z160CT 1uF -20TO+80% 1	
		C780	0CH1105F942	Capacitor,Ceramic,Chip	0603F105Z160CT 1uF -20TO+80% 1	
		C781	0CH1105F942	Capacitor,Ceramic,Chip	0603F105Z160CT 1uF -20TO+80% 1	
		C789	0CH1104K942	Capacitor,Ceramic,Chip	0603F104Z500CT 100nF -20TO+80%	
		CN201	6630XE00123	Conector,FFC/FPC/PIC	04-6232-023-010-000 23P 1.00MM	
		CN202	6630XE00109	Conector,FFC/FPC/PIC	04-6232-009-010-000 9P 1.00MM	
		CN603	6630R3S006C	Conector,Wafer	GT200-10P-SS-A 10P 2.00MM 1R S	
		CN604	6630XE00112	Conector,FFC/FPC/PIC	JE500-B1.0-T12 12P 1.00MM FFC	
		CN701	6630XE00115	Conector,FFC/FPC/PIC	04-6232-015-010-000 15P 1.00MM	
		CN702	6630XE00112	Conector,FFC/FPC/PIC	JE500-B1.0-T12 12P 1.00MM FFC	
		D6R1	0DSRM00118A	Diode,Switching	DAP202K 1.2V 80V 300MA 4A 4NSE	
		D700	0DSRM00118A	Diode,Switching	DAP202K 1.2V 80V 300MA 4A 4NSE	
		D700	0DD181009AA	Diode,Switching	KDS181-T1(A3) 1.2V 85V 300MA 2	ALTERNATE
		IC201	0ILNR00091A	IC, Motor Driver	AM5869S 4.3TO13.2V 3.1TO3.5V 1	
		IC601	0ILNR00177A	IC, Video Processors	ZR36888HLCG 1.8VTO3.3V,0.0VTO0	
		IC603	0IMMRHY001M	IC, SDRAM	HY57V641620ETP-7 64MBIT 1MX16B	
		IC603	0IMMRREB004E	IC, SDRAM	M12L64164A-7TG 64MBIT 1MX16BIT	ALTERNATE
		IC605	0IMMRSS038A	IC,EEPROM	S524C80D80 8KBIT 1KX8BIT 2.5VT	
		IC6R1	0ISTL00104A	IC,CMOS	74LV86PW 1.0TO3.6V 20mA EXCLUS	

S	AL	LOCA. NO.	PART NO.	DESCRIPTION	SPECIFICATION	REMARKS
		IC701	0ILNR00048A	IC,Display Driver	MM1692XVBE 7V 2.4V 1W TSOP R/T	
		IC702	0IPRPCI002B	IC,D/A Converter	CS4392-KZR 4.75TO5.5V 192KHZ 2	
		IC703	0ILNRBB003A	IC,OP Amplifier	OPA2604AU +4.5TO+-24V 5mV 0.0	
		JK6R1	6612F00064B	Jack,Phone	PJ-376 1P 2P ANGLE TR 3.6MM BL	
		JK705	6630R-SY08W	Conector,I/O	HMR48-AK5210 19P 0.50MM ANGLE	
		L202	6200HJC102A	Filter,Bead	HB-1M2012-102JT 1000OHM 2X1.25	
		L203	6200HJC102A	Filter,Bead	HB-1M2012-102JT 1000OHM 2X1.25	
		L205	6200HJC102A	Filter,Bead	HB-1M2012-102JT 1000OHM 2X1.25	
		L206	6200HJC102A	Filter,Bead	HB-1M2012-102JT 1000OHM 2X1.25	
		L601	6200HJC102A	Filter,Bead	HB-1M2012-102JT 1000OHM 2X1.25	
		L602	6200HJC102A	Filter,Bead	HB-1M2012-102JT 1000OHM 2X1.25	
		L603	6200HJC102A	Filter,Bead	HB-1M2012-102JT 1000OHM 2X1.25	
		L604	6200HJC102A	Filter,Bead	HB-1M2012-102JT 1000OHM 2X1.25	
		L605	6200HJC102A	Filter,Bead	HB-1M2012-102JT 1000OHM 2X1.25	
		L607	6200HJC102A	Filter,Bead	HB-1M2012-102JT 1000OHM 2X1.25	
		L608	6200HJC102A	Filter,Bead	HB-1M2012-102JT 1000OHM 2X1.25	
		L610	6200HJC102A	Filter,Bead	HB-1M2012-102JT 1000OHM 2X1.25	
		L612	0LC11608C01	Filter,Bead	HB-1M1608-102JT 1000OHM 1.6X0.	
		L613	6200HJC102A	Filter,Bead	HB-1M2012-102JT 1000OHM 2X1.25	
		L614	6200HJC102A	Filter,Bead	HB-1M2012-102JT 1000OHM 2X1.25	
		L615	6200HJC102A	Filter,Bead	HB-1M2012-102JT 1000OHM 2X1.25	
		L6A5	6200HJC102A	Filter,Bead	HB-1M2012-102JT 1000OHM 2X1.25	
		L6A8	6200HJC102A	Filter,Bead	HB-1M2012-102JT 1000OHM 2X1.25	
		L6A9	6200HJC102A	Filter,Bead	HB-1M2012-102JT 1000OHM 2X1.25	
		L6B3	6200HJC102A	Filter,Bead	HB-1M2012-102JT 1000OHM 2X1.25	
		L6B5	6200HJC102A	Filter,Bead	HB-1M2012-102JT 1000OHM 2X1.25	
		L6B6	6200HJC102A	Filter,Bead	HB-1M2012-102JT 1000OHM 2X1.25	
		L701	6200HJC102A	Filter,Bead	HB-1M2012-102JT 1000OHM 2X1.25	
		L702	6200HJC102A	Filter,Bead	HB-1M2012-102JT 1000OHM 2X1.25	
		L703	6200HJC102A	Filter,Bead	HB-1M2012-102JT 1000OHM 2X1.25	
		L716	0LCCE00004E	Inductor,Multilayer,Chip	FI-C2012-103KJT 10UH 10% - 25M	
		L717	0LCCE00004E	Inductor,Multilayer,Chip	FI-C2012-103KJT 10UH 10% - 25M	
		L718	6200HJC102A	Filter,Bead	HB-1M2012-102JT 1000OHM 2X1.25	
		L727	0LCCE00004L	Inductor,Multilayer,Chip	FI-B2012-102KJT 1UH 10% - 100M	
		L728	0LCCE00004L	Inductor,Multilayer,Chip	FI-B2012-102KJT 1UH 10% - 100M	
		L729	0LCCE00004L	Inductor,Multilayer,Chip	FI-B2012-102KJT 1UH 10% - 100M	
		Q201	0TR103709BB	TR,Bipolar	2SA1037K-Q PNP -6V -60V -50V -	
		Q201	0TR150409AC	TR,Bipolar	KTA1504-GR PNP -5V -50V -50V -	ALTERNATE
		Q201	0TRAU80008A	TR,Bipolar	2SA1980SY PNP -5V -50V -50V -0	ALTERNATE
		Q202	0TR103709BB	TR,Bipolar	2SA1037K-Q PNP -6V -60V -50V -	
		Q202	0TR150409AC	TR,Bipolar	KTA1504-GR PNP -5V -50V -50V -	ALTERNATE
		Q202	0TRAU80008A	TR,Bipolar	2SA1980SY PNP -5V -50V -50V -0	ALTERNATE
		Q203	0TRKE80068A	TR,Bipolar	KTA1531T-Y PNP -5V -30V -20V -	
		Q601	0TR390409DA	TR,Bipolar	2N3904S NPN 6V 60V 40V 200MA 5	
		Q602	0TR390409DA	TR,Bipolar	2N3904S NPN 6V 60V 40V 200MA 5	
		Q603	0TR390409DA	TR,Bipolar	2N3904S NPN 6V 60V 40V 200MA 5	
		Q6R1	0TR387509AC	TR,Bipolar	KTC3875S-GR(ALG) NPN 5V 60V 50	
		Q701	0TRAU80008A	TR,Bipolar	2SA1980SY PNP -5V -50V -50V -0	
		Q701	0TR103709BB	TR,Bipolar	2SA1037K-Q PNP -6V -60V -50V -	ALTERNATE
		Q701	0TR150409AC	TR,Bipolar	KTA1504-GR PNP -5V -50V -50V -	ALTERNATE
		Q704	0TRAU80012A	TR,Bipolar	SRA2203S PNP -40V - -50V -0.1A	
		Q704	0TR103009AC	TR,Bipolar	KRA103S-T1 PNP -40V - -50V -0.	ALTERNATE
		Q704	0TRON80007A	TR,Bipolar	MMUN2112LT1 PNP - -50V -50V -0	ALTERNATE
		Q705	0TRON80009A	TR,Bipolar	BC846ALT1 NPN 6V 80V 65V 100MA	
		Q705	0TR387509AC	TR,Bipolar	KTC3875S-GR(ALG) NPN 5V 60V 50	ALTERNATE
		Q705	0TRAU80017A	TR,Bipolar	2SC5343SG NPN 5V 60V 50V 150MA	ALTERNATE
		Q706	0TRON80009A	TR,Bipolar	BC846ALT1 NPN 6V 80V 65V 100MA	

S	AL	LOCA. NO.	PART NO.	DESCRIPTION	SPECIFICATION	REMARKS
		Q706	0TRAU80017A	TR,Bipolar	2SC5343SG NPN 5V 60V 50V 150MA	ALTERNATE
		Q706	0TR387509AC	TR,Bipolar	KTC3875S-GR(ALG) NPN 5V 60V 50	ALTERNATE
		Q707	0TRAU80012A	TR,Bipolar	SRA2203S PNP -40V - -50V -0.1A	
		Q707	0TR103009AC	TR,Bipolar	KRA103S-T1 PNP -40V - -50V -0.	ALTERNATE
		Q707	0TRON80007A	TR,Bipolar	MMUN2112LT1 PNP - -50V -50V -0	ALTERNATE
		Q708	0TRON80009A	TR,Bipolar	BC846ALT1 NPN 6V 80V 65V 100MA	
		Q708	0TR387509AC	TR,Bipolar	KTC3875S-GR(ALG) NPN 5V 60V 50	ALTERNATE
		Q708	0TRAU80017A	TR,Bipolar	2SC5343SG NPN 5V 60V 50V 150MA	ALTERNATE
		Q711	0TRON80009A	TR,Bipolar	BC846ALT1 NPN 6V 80V 65V 100MA	
		Q711	0TR387509AC	TR,Bipolar	KTC3875S-GR(ALG) NPN 5V 60V 50	ALTERNATE
		Q711	0TRAU80017A	TR,Bipolar	2SC5343SG NPN 5V 60V 50V 150MA	ALTERNATE
		Q712	0TR387509AC	TR,Bipolar	KTC3875S-GR(ALG) NPN 5V 60V 50	
		Q712	0TRAU80017A	TR,Bipolar	2SC5343SG NPN 5V 60V 50V 150MA	ALTERNATE
		Q712	0TRON80009A	TR,Bipolar	BC846ALT1 NPN 6V 80V 65V 100MA	ALTERNATE
		Q713	0TR387509AC	TR,Bipolar	KTC3875S-GR(ALG) NPN 5V 60V 50	
		Q713	0TRON80009A	TR,Bipolar	BC846ALT1 NPN 6V 80V 65V 100MA	ALTERNATE
		Q713	0TRAU80017A	TR,Bipolar	2SC5343SG NPN 5V 60V 50V 150MA	ALTERNATE
		Q714	0TR387509AC	TR,Bipolar	KTC3875S-GR(ALG) NPN 5V 60V 50	
		Q714	0TRAU80017A	TR,Bipolar	2SC5343SG NPN 5V 60V 50V 150MA	ALTERNATE
		Q714	0TRON80009A	TR,Bipolar	BC846ALT1 NPN 6V 80V 65V 100MA	ALTERNATE
		Q715	0TFPH80002A	FET	2N7002 N-CHANNEL DMOSFET 60V +	
		Q716	0TFPH80002A	FET	2N7002 N-CHANNEL DMOSFET 60V +	
		R201	0RJ4300C477	Resistor,Chip	MCR03EZPF431 430OHM 1% 1/10W 1	
		R202	0RH1001C422	Resistor,Chip	MCR03EZPF102 1KOHM 1% 1/10W 16	
		R203	0RH3302C622	Resistor,Chip	MCR03EZPJ333 33KOHM 5% 1/10W 1	
		R204	0RH0332C622	Resistor,Chip	MCR03EZPJ330 33OHM 5% 1/10W 16	
		R206	0RH2201C622	Resistor,Chip	MCR03EZPJ222 2.2KOHM 5% 1/10W	
		R208	0RH1501C622	Resistor,Chip	MCR03EZPJ152 1.5KOHM 5% 1/10W	
		R209	0RH2701C622	Resistor,Chip	MCR03EZPJ272 2.7KOHM 5% 1/10W	
		R211	0RH1002C622	Resistor,Chip	MCR03EZPJ103 10KOHM 5% 1/10W 1	
		R212	0RH0000C622	Resistor,Chip	MCR03EZPJ000 0OHM 5% 1/10W 160	
		R213	0RH2202C622	Resistor,Chip	MCR03EZPJ223 22KOHM 5% 1/10W 1	
		R214	0RH0332C622	Resistor,Chip	MCR03EZPJ330 33OHM 5% 1/10W 16	
		R216	0RH2200C622	Resistor,Chip	MCR03EZPJ221 220OHM 5% 1/10W 1	
		R217	0RH0331C622	Resistor,Chip	MCR03EZPJ3R3 3.3OHM 5% 1/10W 1	
		R218	0RH2200C622	Resistor,Chip	MCR03EZPJ221 220OHM 5% 1/10W 1	
		R219	0RH0471C622	Resistor,Chip	MCR03EZPJ4R7 4.7OHM 5% 1/10W 1	
		R220	0RH4701C622	Resistor,Chip	MCR03EZPJ472 4.7KOHM 5% 1/10W	
		R221	0RH4701C622	Resistor,Chip	MCR03EZPJ472 4.7KOHM 5% 1/10W	
		R222	0RH1001C622	Resistor,Chip	MCR03EZPJ102 1KOHM 5% 1/10W 16	
		R224	0RH5602C622	Resistor,Chip	MCR03EZPJ563 56KOHM 5% 1/10W 1	
		R229	0RH1000C422	Resistor,Chip	MCR03EZPF101 100OHM 1% 1/10W 1	
		R230	0RH1000C422	Resistor,Chip	MCR03EZPF101 100OHM 1% 1/10W 1	
		R601	0RH3902C622	Resistor,Chip	MCR03EZPJ393 39KOHM 5% 1/10W 1	
		R602	0RH1502C622	Resistor,Chip	MCR03EZPJ153 15KOHM 5% 1/10W 1	
		R603	0RH4701C622	Resistor,Chip	MCR03EZPJ472 4.7KOHM 5% 1/10W	
		R604	0RH4302C622	Resistor,Chip	MCR03EZPJ433 43KOHM 5% 1/10W 1	
		R605	0RH2002C422	Resistor,Chip	MCR03EZPF203 20KOHM 1% 1/10W 1	
		R606	0RH0000C622	Resistor,Chip	MCR03EZPJ000 0OHM 5% 1/10W 160	
		R608	0RH0752C422	Resistor,Chip	MCR03EZPF750 75OHM 1% 1/10W 16	
		R609	0RH0752C422	Resistor,Chip	MCR03EZPF750 75OHM 1% 1/10W 16	
		R610	0RH0752C422	Resistor,Chip	MCR03EZPF750 75OHM 1% 1/10W 16	
		R611	0RH0752C422	Resistor,Chip	MCR03EZPF750 75OHM 1% 1/10W 16	
		R612	0RH0752C422	Resistor,Chip	MCR03EZPF750 75OHM 1% 1/10W 16	
		R613	0RJ3920C477	Resistor,Chip	MCR03EZPF3920 3920OHM 1% 1/10W	
		R615	0RH0332C622	Resistor,Chip	MCR03EZPJ330 33OHM 5% 1/10W 16	
		R616	0RH0332C622	Resistor,Chip	MCR03EZPJ330 33OHM 5% 1/10W 16	

S	AL	LOCA. NO.	PART NO.	DESCRIPTION	SPECIFICATION	REMARKS
		R620	0RH0000C622	Resistor,Chip	MCR03EZPJ000 0OHM 5% 1/10W 160	
		R621	0RH2201C622	Resistor,Chip	MCR03EZPJ222 2.2KOHM 5% 1/10W	
		R624	0RH1000C622	Resistor,Chip	MCR03EZPJ101 100OHM 5% 1/10W 1	
		R629	0RH1000C622	Resistor,Chip	MCR03EZPJ101 100OHM 5% 1/10W 1	
		R631	0RJ4300C477	Resistor,Chip	MCR03EZPF431 430OHM 1% 1/10W 1	
		R634	0RH0000C622	Resistor,Chip	MCR03EZPJ000 0OHM 5% 1/10W 160	
		R636	0RH0000C622	Resistor,Chip	MCR03EZPJ000 0OHM 5% 1/10W 160	
		R637	0LC11608D01	Filter,Bead	HB-1M1608-121JT 120OHM 1.6X0.8	
		R638	0RH4701C622	Resistor,Chip	MCR03EZPJ472 4.7KOHM 5% 1/10W	
		R639	0RH4701C622	Resistor,Chip	MCR03EZPJ472 4.7KOHM 5% 1/10W	
		R640	0RH4701C622	Resistor,Chip	MCR03EZPJ472 4.7KOHM 5% 1/10W	
		R643	0RH0332C622	Resistor,Chip	MCR03EZPJ330 33OHM 5% 1/10W 16	
		R644	0RH0332C622	Resistor,Chip	MCR03EZPJ330 33OHM 5% 1/10W 16	
		R645	0RH0332C622	Resistor,Chip	MCR03EZPJ330 33OHM 5% 1/10W 16	
		R646	0RH0332C622	Resistor,Chip	MCR03EZPJ330 33OHM 5% 1/10W 16	
		R648	0RH0332C622	Resistor,Chip	MCR03EZPJ330 33OHM 5% 1/10W 16	
		R649	0RH0332C622	Resistor,Chip	MCR03EZPJ330 33OHM 5% 1/10W 16	
		R650	0LCCE00041A	Filter,Bead	HB-1M1608-301JT 300OHM 1.6X0.8	
		R651	0RH3302C622	Resistor,Chip	MCR03EZPJ333 33KOHM 5% 1/10W 1	
		R670	6200RJ003A	Filter,Bead	HB-1S1608-121JT 120OHM 1.6X0.8	
		R671	6200RJ003A	Filter,Bead	HB-1S1608-121JT 120OHM 1.6X0.8	
		R675	0RH1000C622	Resistor,Chip	MCR03EZPJ101 100OHM 5% 1/10W 1	
		R682	0RH4701C622	Resistor,Chip	MCR03EZPJ472 4.7KOHM 5% 1/10W	
		R683	0RH4700C622	Resistor,Chip	MCR03EZPJ471 470OHM 5% 1/10W 1	
		R684	0RH3301C622	Resistor,Chip	MCR03EZPJ332 3.3KOHM 5% 1/10W	
		R685	0RH3301C622	Resistor,Chip	MCR03EZPJ332 3.3KOHM 5% 1/10W	
		R686	0RH3301C622	Resistor,Chip	MCR03EZPJ332 3.3KOHM 5% 1/10W	
		R687	0RH4701C622	Resistor,Chip	MCR03EZPJ472 4.7KOHM 5% 1/10W	
		R690	0RH0752C422	Resistor,Chip	MCR03EZPF750 75OHM 1% 1/10W 16	
		R691	0RH1003C622	Resistor,Chip	MCR03EZPJ104 100KOHM 5% 1/10W	
		R692	0RH0752C622	Resistor,Chip	MCR03EZPJ750 75OHM 5% 1/10W 16	
		R693	0RH0332C622	Resistor,Chip	MCR03EZPJ330 33OHM 5% 1/10W 16	
		R698	0RH1002C622	Resistor,Chip	MCR03EZPJ103 10KOHM 5% 1/10W 1	
		R6A1	0RH1003C622	Resistor,Chip	MCR03EZPJ104 100KOHM 5% 1/10W	
		R6A3	0RH3301C622	Resistor,Chip	MCR03EZPJ332 3.3KOHM 5% 1/10W	
		R6A4	0RH2200C622	Resistor,Chip	MCR03EZPJ221 220OHM 5% 1/10W 1	
		R6A5	0RH2200C622	Resistor,Chip	MCR03EZPJ221 220OHM 5% 1/10W 1	
		R6A6	0RH2200C622	Resistor,Chip	MCR03EZPJ221 220OHM 5% 1/10W 1	
		R6A7	0RH2200C622	Resistor,Chip	MCR03EZPJ221 220OHM 5% 1/10W 1	
		R6A8	0RH2200C622	Resistor,Chip	MCR03EZPJ221 220OHM 5% 1/10W 1	
		R6A9	0RH2200C622	Resistor,Chip	MCR03EZPJ221 220OHM 5% 1/10W 1	
		R6R1	0RH1501C622	Resistor,Chip	MCR03EZPJ152 1.5KOHM 5% 1/10W	
		R6R2	0RH3300C622	Resistor,Chip	MCR03EZPJ331 330OHM 5% 1/10W 1	
		R6R3	0RH1002C622	Resistor,Chip	MCR03EZPJ103 10KOHM 5% 1/10W 1	
		R6R4	0RH1002C622	Resistor,Chip	MCR03EZPJ103 10KOHM 5% 1/10W 1	
		R6R5	0RH1502C622	Resistor,Chip	MCR03EZPJ153 15KOHM 5% 1/10W 1	
		R6R6	0RH0000C622	Resistor,Chip	MCR03EZPJ000 0OHM 5% 1/10W 160	
		R6R7	0RH1001C622	Resistor,Chip	MCR03EZPJ102 1KOHM 5% 1/10W 16	
		R703	0RH1001C622	Resistor,Chip	MCR03EZPJ102 1KOHM 5% 1/10W 16	
		R705	0RH1001C622	Resistor,Chip	MCR03EZPJ102 1KOHM 5% 1/10W 16	
		R706	0RH0000C622	Resistor,Chip	MCR03EZPJ000 0OHM 5% 1/10W 160	
		R707	0RH0000C622	Resistor,Chip	MCR03EZPJ000 0OHM 5% 1/10W 160	
		R708	0RH0000C622	Resistor,Chip	MCR03EZPJ000 0OHM 5% 1/10W 160	
		R710	0RH0561C622	Resistor,Chip	MCR03EZPJ5R6 5.6OHM 5% 1/10W 1	
		R711	0RH1001C622	Resistor,Chip	MCR03EZPJ102 1KOHM 5% 1/10W 16	
		R712	0RH1001C622	Resistor,Chip	MCR03EZPJ102 1KOHM 5% 1/10W 16	
		R713	0RH1001C622	Resistor,Chip	MCR03EZPJ102 1KOHM 5% 1/10W 16	

S	AL	LOCA. NO.	PART NO.	DESCRIPTION	SPECIFICATION	REMARKS
		R714	0RH1001C622	Resistor,Chip	MCR03EZPJ102 1KOHM 5% 1/10W 16	
		R715	0RH2200C622	Resistor,Chip	MCR03EZPJ221 220OHM 5% 1/10W 1	
		R716	0RH2200C622	Resistor,Chip	MCR03EZPJ221 220OHM 5% 1/10W 1	
		R717	0RH6801C622	Resistor,Chip	MCR03EZPJ682 6.8KOHM 5% 1/10W	
		R718	0RH8201C622	Resistor,Chip	MCR03EZPJ822 8.2KOHM 5% 1/10W	
		R719	0RH1801C622	Resistor,Chip	MCR03EZPJ182 1.8KOHM 5% 1/10W	
		R720	0RH2700C622	Resistor,Chip	MCR03EZPJ271 270OHM 5% 1/10W 1	
		R721	0RH2701C622	Resistor,Chip	MCR03EZPJ272 2.7KOHM 5% 1/10W	
		R723	0RH6801C622	Resistor,Chip	MCR03EZPJ682 6.8KOHM 5% 1/10W	
		R724	0RH1801C622	Resistor,Chip	MCR03EZPJ182 1.8KOHM 5% 1/10W	
		R726	0RH8201C622	Resistor,Chip	MCR03EZPJ822 8.2KOHM 5% 1/10W	
		R727	0RH5601C622	Resistor,Chip	MCR03EZPJ562 5.6KOHM 5% 1/10W	
		R728	0RH4701C622	Resistor,Chip	MCR03EZPJ472 4.7KOHM 5% 1/10W	
		R729	0RH8201C622	Resistor,Chip	MCR03EZPJ822 8.2KOHM 5% 1/10W	
		R730	0RH6801C622	Resistor,Chip	MCR03EZPJ682 6.8KOHM 5% 1/10W	
		R732	0RH0752C422	Resistor,Chip	MCR03EZPF750 75OHM 1% 1/10W 16	
		R735	0RH0752C622	Resistor,Chip	MCR03EZPJ750 75OHM 5% 1/10W 16	
		R736	0RH0752C422	Resistor,Chip	MCR03EZPF750 75OHM 1% 1/10W 16	
		R737	0RH1801C622	Resistor,Chip	MCR03EZPJ182 1.8KOHM 5% 1/10W	
		R738	0RH0222C622	Resistor,Chip	MCR03EZPJ220 22OHM 5% 1/10W 16	
		R739	0RH1801C622	Resistor,Chip	MCR03EZPJ182 1.8KOHM 5% 1/10W	
		R740	0RH0682C422	Resistor,Chip	68 OHM 1 / 16 W 1608 1.00% D	
		R741	0RH0682C422	Resistor,Chip	68 OHM 1 / 16 W 1608 1.00% D	
		R744	0RH1003C622	Resistor,Chip	MCR03EZPJ104 100KOHM 5% 1/10W	
		R745	0RH1003C622	Resistor,Chip	MCR03EZPJ104 100KOHM 5% 1/10W	
		R746	0RH6801C622	Resistor,Chip	MCR03EZPJ682 6.8KOHM 5% 1/10W	
		R747	0RH8201C622	Resistor,Chip	MCR03EZPJ822 8.2KOHM 5% 1/10W	
		R753	0RH0682C622	Resistor,Chip	MCR03EZPJ680 68OHM 5% 1/10W 16	
		R755	0RH0222C622	Resistor,Chip	MCR03EZPJ220 22OHM 5% 1/10W 16	
		R757	0RH0752C422	Resistor,Chip	MCR03EZPF750 75OHM 1% 1/10W 16	
		R758	0RH0752C422	Resistor,Chip	MCR03EZPF750 75OHM 1% 1/10W 16	
		R759	0RH1001C622	Resistor,Chip	MCR03EZPJ102 1KOHM 5% 1/10W 16	
		R761	0RH0222C622	Resistor,Chip	MCR03EZPJ220 22OHM 5% 1/10W 16	
		R765	0RH0752C422	Resistor,Chip	MCR03EZPF750 75OHM 1% 1/10W 16	
		R768	0RH0752C422	Resistor,Chip	MCR03EZPF750 75OHM 1% 1/10W 16	
		R770	0RH0752C422	Resistor,Chip	MCR03EZPF750 75OHM 1% 1/10W 16	
		R771	0RH0752C422	Resistor,Chip	MCR03EZPF750 75OHM 1% 1/10W 16	
		R772	0RH0752C422	Resistor,Chip	MCR03EZPF750 75OHM 1% 1/10W 16	
		R773	0RH0752C422	Resistor,Chip	MCR03EZPF750 75OHM 1% 1/10W 16	
		R774	0RH0752C422	Resistor,Chip	MCR03EZPF750 75OHM 1% 1/10W 16	
		R775	0RH0752C422	Resistor,Chip	MCR03EZPF750 75OHM 1% 1/10W 16	
		R779	0RH5600C622	Resistor,Chip	MCR03EZPJ561 560OHM 5% 1/10W 1	
		R781	0RH0562C622	Resistor,Chip	MCR03EZPJ560 56OHM 5% 1/10W 16	
		R782	0RH0562C622	Resistor,Chip	MCR03EZPJ560 56OHM 5% 1/10W 16	
		R783	0RH2201C622	Resistor,Chip	MCR03EZPJ222 2.2KOHM 5% 1/10W	
		R784	0RH2201C622	Resistor,Chip	MCR03EZPJ222 2.2KOHM 5% 1/10W	
		R785	0RH1002C622	Resistor,Chip	MCR03EZPJ103 10KOHM 5% 1/10W 1	
		R786	0RH1001C622	Resistor,Chip	MCR03EZPJ102 1KOHM 5% 1/10W 16	
		R787	0RH4702C622	Resistor,Chip	MCR03EZPJ473 47KOHM 5% 1/10W 1	
		RA701	0RRZVTA0011	Resistor,Array	RCA86TRJ10R0 100OHM 5% 1/16W 4	
		RA702	0RRZVTA0011	Resistor,Array	RCA86TRJ10R0 100OHM 5% 1/16W 4	
*** PCB Assembly ***						
		A47	6871R-2398D	PCB Assembly	DVD100S ZORAN 888 NAD MODEL WI	
▲		C101	624-088L	Capacitor,Film,DIP	435D 275V 104 K 100nF 10% 275V	
▲		C101	624-088N	Capacitor,Film,Box	MPX104K2YL 0.1uF 10% 275V MPP	ALTERNATE
▲		C101	624-088S	Capacitor,Film,Box	MPX104K2YL 0.1uF 10% 275V MPP	ALTERNATE
▲		C101	624-088J	Capacitor,Film,Box	ECQU2A104ML 0.1uF 20% 250V MPE	ALTERNATE

S	AL	LOCA. NO.	PART NO.	DESCRIPTION	SPECIFICATION	REMARKS
		C103	0CZZR00011B	Capacitor,Unclassified	SAMYOUNG,SAMWHA,G-LUXON E-CAP	
		C104	0CZZR00011B	Capacitor,Unclassified	SAMYOUNG,SAMWHA,G-LUXON E-CAP	
		C105	0CQ1031Y519	Capacitor,Film,DIP	230S 2J 103 K 10nF 10% 630V MP	
		C107	0CE1054K638	Capacitor,AL,Radial	ESS105M050T1A5B07G 1uF 20% 50V	
		C108	0CN1040K948	Capacitor,Ceramic,Axial	CH UP050 F104Z-A-B Z 100nF -20	
		C109	0CE336BH638	Capacitor,AL,Radial	KME5.0TP25VB33M 33uF 20% 25V 7	
	⚠	C110	0CG1020U630	Capacitor,Unclassified	1000PF D 400V 20% E(Z5U) R	
	⚠	C111	0CG1020U630	Capacitor,Unclassified	1000PF D 400V 20% E(Z5U) R	
		C113	0CN2220K518	Capacitor,Ceramic,Axial	CH UP050 B222K-A-B Z 2.2nF 10%	
		C121	0CE108BF630	Capacitor,AL,Radial	KME4.0CC16VB1000M 1000uF 20% 1	
		C121	0CE108EF630	Capacitor,AL,Radial	KMG5.0MC16VB1000M 1000uF 20% 1	ALTERNATE
		C122	0CE3376D638	Capacitor,AL,Radial	SMS5.0TP10VB330M 330uF 20% 10V	
		C123	0CE108BF630	Capacitor,AL,Radial	KME4.0CC16VB1000M 1000uF 20% 1	
		C123	0CE108EF630	Capacitor,AL,Radial	KMG5.0MC16VB1000M 1000uF 20% 1	ALTERNATE
		C124	0CE3376D638	Capacitor,AL,Radial	SMS5.0TP10VB330M 330uF 20% 10V	
		C126	624-085D	Capacitor,AL,Radial	KME5.0TP50VB47M 47uF 20% 50V 1	
		C128	0CQ1042K409	Capacitor,Film,DIP	310M 1H 104 J 100nF 5% 50V PE	
		C153	0CE4754K638	Capacitor,AL,Radial	ESS475M050T1A5B07G 4.7uF 20% 5	
		C154	0CE4754K638	Capacitor,AL,Radial	ESS475M050T1A5B07G 4.7uF 20% 5	
		C155	0CE1074F638	Capacitor,AL,Radial	SRA5.0TP16VB100M 100uF 20% 16V	
		C156	0CN223AK948	Capacitor,Ceramic,Axial	CH UP050 F223Z-A-B Z 22nF -20T	
		C157	0CN223AK948	Capacitor,Ceramic,Axial	CH UP050 F223Z-A-B Z 22nF -20T	
		D101	0DR400709AA	Diode,Rectifier	10SP07U(SUF4007SP) 1KV 1.7V 5U	
		D101	0DD221009AA	Diode,Rectifier	ERA22-10 1KV 1.5V 10UA 10A 400	ALTERNATE
		D101	0DRRE00163A	Diode,Rectifier	1F7 1KV 1.3V 5UA 25A 500NSEC R	ALTERNATE
		D104	0DR104009BA	Diode,Rectifier	RL104F 400V 1.3V 5UA 30A 150NS	
		D104	0DRGF00239A	Diode,Rectifier	FR104E 400V 1.3V 5UA 30A 150NS	ALTERNATE
		D105	0DRGF00309A	Diode,Rectifier	1A5 600V 1.1V 5UA 25A - R1 TP	
		D105	0DRRE00203A	Diode,Rectifier	1A7 600V 1.1V 5UA 25A - R1 TP	ALTERNATE
		D106	0DRGF00309A	Diode,Rectifier	1A5 600V 1.1V 5UA 25A - R1 TP	
		D106	0DRRE00203A	Diode,Rectifier	1A7 600V 1.1V 5UA 25A - R1 TP	ALTERNATE
		D107	0DRGF00309A	Diode,Rectifier	1A5 600V 1.1V 5UA 25A - R1 TP	
		D107	0DRRE00203A	Diode,Rectifier	1A7 600V 1.1V 5UA 25A - R1 TP	ALTERNATE
		D108	0DRGF00309A	Diode,Rectifier	1A5 600V 1.1V 5UA 25A - R1 TP	
		D108	0DRRE00203A	Diode,Rectifier	1A7 600V 1.1V 5UA 25A - R1 TP	ALTERNATE
		D121	0DR810040BA	Diode,Schottky	ERC81-004L22 550MV 40V 3A 10US	
		D121	0DR158220AA	Diode,Schottky	1N5822 950MV 40V 3A - 250pF -	ALTERNATE
		D121	0DRGF00210A	Diode,Rectifier	1N5822 40V 950MV 2MA 80A - DO2	ALTERNATE
		D123	0DR302000AB	Diode,Rectifier	HER302 100V 1V 10UA 200A 50NSE	
		D125	0DRGF00239A	Diode,Rectifier	FR104E 400V 1.3V 5UA 30A 150NS	
		D125	0DR104009BA	Diode,Rectifier	RL104F 400V 1.3V 5UA 30A 150NS	ALTERNATE
		D151	0DS141489BB	Diode,Switching	1N4148(26MM) 1V 100V 150MA 500	
	⚠	FR101	0RM0221K634	Resistor,Cement	RWR02V-J2R20 2.2OHM 5% 2W 27X1	
		IC101	0IPMGIH005A	IC,PWM Controller	ICE3B0565 9.6TO26V - 25W DIP S	
	⚠	IC102	657-063A	Sensor,Position	LTV-817B 5V DIP BK PHOTO COUPL	
	⚠	IC102	6500RDB011B	Sensor,Position	K1010B 5V DIP BK 4PIN PHOTOCOUP	ALTERNATE
	⚠	IC102	6500RDT008A	Sensor,Position	LTV-817BN 5V DIP BK RGB PHOTO	ALTERNATE
		IC103	0IPMGA0012A	IC,Voltage Regulator	AZ431 - - - TO92 TP 3P	
		IC103	0IKE431000A	IC,Voltage Regulator	KIA431 36V 36V 700MW TO92 TP 3	ALTERNATE
		IC103	0ISS431000A	IC,Voltage Regulator	KA431AZ 2.495TO36V 36V 770MW T	ALTERNATE
		L101	6140RCC003J	Coil,RF	4.7 MH PEAKING COIL OWA 67 X 7	
		L102	6140RCC003J	Coil,RF	4.7 MH PEAKING COIL OWA 67 X 7	
		L121	633-088G	Coil,Choke	22KS 22uH - - 8X17MM LEAD -	
		L121	6140R-C011A	Coil,RF	6140R-C011A 22uH - - 8X17MM LE	ALTERNATE
		L122	633-088G	Coil,Choke	22KS 22uH - - 8X17MM LEAD -	
		L122	6140R-C011A	Coil,RF	6140R-C011A 22uH - - 8X17MM LE	ALTERNATE
		P101	6631R-E078H	Harness,Single	GIL-S-10 9073-10 ST 260mM 2.00	

S	AL	LOCA. NO.	PART NO.	DESCRIPTION	SPECIFICATION	REMARKS
		PW101	6630V90108A	Conector,Wafer	JE202-2L-03 2P 3.96MM 1R ANGLE	
		Q121	0TR127309AA	TR,Bipolar	KTA1273 PNP -5V -30V -30V -2A	
		Q122	0TR319809AC	Transistor Assembly	KTC3198 KTC3198 TP KEC - - -BL	
		Q122	0TR534309BA	TR,Bipolar	2SC5343L NPN 5V 60V 50V 150MA	ALTERNATE
		Q122	0TR319909AF	TR,Bipolar	KTC3199-BL NPN 5V 50V 50V 150M	ALTERNATE
		Q123	0TR534409AA	TR,Bipolar	2SC5344Y NPN 5V 35V 30V 800MA	
		Q123	0TR320309AA	TR,Bipolar	KTC3203 NPN 5V 35V 30V 800MA 1	ALTERNATE
		Q124	0TR220309AF	TR,Bipolar	SRA2203 PNP -40V - -50V -0.1A	
		Q124	0TR103009AF	TR,Bipolar	KRA103M(KRA2203) PNP -40V 0V -	ALTERNATE
		Q126	0TR232809AB	TR,Bipolar	KSC2328A-Y NPN 5V 30V 30V 2A 1	
		Q126	0TR320509AB	Transistor Assembly	KTC3205-Y(KTC2236A) KTC3205-Y(ALTERNATE
		R102	0RS0750K619	Resistor,Metal Oxide Film	SMR02R1JR750 750MOHM 5% 2W 8.6	
		R103	0RS5602K619	Resistor,Metal Oxide Film	SML02R0J56K0 56KOHM 5% 2W 8.6X	
		R105	0RD0392F608	Resistor,Carbon Film	RD-96S1J39R0 39OHM 5% 1/6W 3.2	
		R121	0RD1001F608	Resistor,Carbon Film	RD-96S1J1K00 1KOHM 5% 1/6W 3.2	
		R122	0RD1200F608	Resistor,Carbon Film	RD-96S1J120R 120OHM 5% 1/6W 3.	
		R123	0RD4702F608	Resistor,Carbon Film	RD-96S1J47K0 47KOHM 5% 1/6W 3.	
		R124	0RD1800F608	Resistor,Carbon Film	RD-96S1J180R 180OHM 5% 1/6W 3.	
		R125	0RD2201F608	Resistor,Carbon Film	RD-96S1J2K20 2.2KOHM 5% 1/6W 3	
		R126	0RD1001F608	Resistor,Carbon Film	RD-96S1J1K00 1KOHM 5% 1/6W 3.2	
		R127	0RN1001F408	Resistor,Metal Film	RN-96S1F1K00 1KOHM 1% 1/6W 3.2	
		R128	0RN3001F408	Resistor,Metal Film	RN-96S1F3K00 3KOHM 1% 1/6W 3.2	
		R130	0RD1002F608	Resistor,Carbon Film	RD-96S1J10K0 10KOHM 5% 1/6W 3.	
		R140	0RD2200F608	Resistor,Carbon Film	RD-96S1J220R 220OHM 5% 1/6W 3.	
		R143	0RD2200F608	Resistor,Carbon Film	RD-96S1J220R 220OHM 5% 1/6W 3.	
		R144	0RD1001F608	Resistor,Carbon Film	RD-96S1J1K00 1KOHM 5% 1/6W 3.2	
		R145	0RD1001F608	Resistor,Carbon Film	RD-96S1J1K00 1KOHM 5% 1/6W 3.2	
		R151	0RD4702F608	Resistor,Carbon Film	RD-96S1J47K0 47KOHM 5% 1/6W 3.	
		R152	0RD2202F608	Resistor,Carbon Film	RD-96S1J22K0 22KOHM 5% 1/6W 3.	
⚠		T101	6170RNGW05P	TRANSFORMER,SMPS[COIL]	EE2532 SOOJUNG DV9000 HI END M	
⚠		V101	656-004C	Varistor	SVC681D-10A 680V 10% 250pF 10M	
		ZD101	0DZ200009BB	Diode,Zener	MTZJT-7720B 20V 18.63TO19.56V	
		ZD101	0DZ202609AA	Diode,Zener	UZ-20BSB 20V 18.8TO19.68V 30OH	ALTERNATE
		ZD102	0DZ622609AA	Diode,Zener	GDZJ6.2B 6.2V 5.96TO6.27V 60OH	
		ZD102	0DZ622609BB	Diode,Zener	UZ-6.2BSB 6.2V 5.99TO6.24V 300	ALTERNATE
		ZD151	0DZ132609AB	Diode,Zener	GDZJ13A(26mm) 13V 12.11TO12.75	
		ZD151	0DZ132609BB	Diode,Zener	UZ-13BSA 13V 12.18TO12.71V 130	ALTERNATE
		ZD152	0DZ560009CA	Diode,Zener	MTZJT-775.6B 5.6V 5.45TO5.73V	
*** Frame Assembly ***						
		A44	3141R-D083W	Frame Assembly	DVD DVN156EH HA6ENNT MAIN(NAD)	
		260	3140R-D020E	Chassis	PRESS SECC 0.6 DVN156 (NAD) PR	NSP
		261	5040R-5040C	Damper	CUTTING RUBBER DVD DVN8000 OTH	
		320	3720R-D145W	Panel,Rear	PRESS SECC 0.8 DVD DVN156EH HA	
		467	1SZZR-0097N	Screw,Customized	- + 3MM 8MM MSWR FZB SIN JIN	
*** Cable,Assembly ***						
		810	6851R-0074D	Cable,Assembly	1WAY YELLOW 1.2M + 2WAY R/W 1.	
		811	6850R-PAA2F	Cable,Assembly	RCA PLUG RCA PLUG 1.2M 1P YELL	
		812	6850R-PBA2H	Cable,Assembly	RCA PLUG RCA PLUG 1.2M 2P RED/	
*** PCB Assembly ***						
		A48	6871R-1807D	PCB Assembly	DN19 ZORAN 888 NAD MODEL ONLY	
		C346	0CH1102K562	Capacitor,Ceramic,Chip	0603B102K500CT 1nF 10% 50V X7R	
		C347	0CH1102K562	Capacitor,Ceramic,Chip	0603B102K500CT 1nF 10% 50V X7R	
		CN301	6630XE00115	Conector,FFC/FPC/PIC	04-6232-015-010-000 15P 1.00MM	
		CN302	6630XE00112	Conector,FFC/FPC/PIC	JE500-B1.0-T12 12P 1.00MM FFC	
		JK302	6612M00003E	Jack,Scart	RGB-16C 21P 21P 3.81MM ANGLE D	
		Q3A1	0TR103009AA	TR,Bipolar	KRC103S-T1 NPN 40V - 50V 100MA	
		Q3A1	0TRAU80002A	TR,Bipolar	SRC1203S NPN 40V - 50V 100MA 5	ALTERNATE

S	AL	LOCA. NO.	PART NO.	DESCRIPTION	SPECIFICATION	REMARKS
		R3A1	0RH1001C622	Resistor,Chip	MCR03EZPJ102 1KOHM 5% 1/10W 16	
		R3A2	0RH1003C622	Resistor,Chip	MCR03EZPJ104 100KOHM 5% 1/10W	
		R3A3	0RH8200C622	Resistor,Chip	MCR03EZPJ821 820OHM 5% 1/10W 1	
		R3A5	0RH2200C622	Resistor,Chip	MCR03EZPJ221 220OHM 5% 1/10W 1	
		R3A6	0RH2200C622	Resistor,Chip	MCR03EZPJ221 220OHM 5% 1/10W 1	
		R3A7	0RH1003C622	Resistor,Chip	MCR03EZPJ104 100KOHM 5% 1/10W	
		R3A8	0RH1003C622	Resistor,Chip	MCR03EZPJ104 100KOHM 5% 1/10W	

NOTES) If you want to purchase
Flash memory, you must order
" IC604A"

NOTES) ⚠ Warning
Parts that are shaded are critical with
respect to risk of fire or electrical
shock.

SECTION 4b REPLACEMENT PARTS LIST

MODEL : T515CT(NAD)

RUN DATE : 04-JULY-06

S	AL	LOCA. NO.	PART NO.	DESCRIPTION	SPECIFICATION	REMARKS
*** INDIVIDUAL PARTS ***						
		250	3110R-D036B	Case	PRESS SECC 0.825 DVN156EH PRES	
		283	3580R-T229B	Door,Case	MOLD ABS HF-380 DVD DVN156EH H	
		300	6410RCHX03A	Power Cord Assembly	CE-503/JL201B H03VVH2-F 0.75/2	
		463	1SZZR-0098G	Screw,Customzied	- + 3MM 8MM MSWR FZW	
		465	1SZZR-0097K	Screw,Customzied	- + 3MM 10MM MSWR FZB SIN JIN	
		801	3835RD0098Z	Manual Assembly	DVD DVN156NH-HA1UNN/DVN156EH-H	
		802	3890R-C420E	Box,Master	DVN156EH HA6ENNT SW3-A TITANIU	
		803	3920R-E227A	Packing	DVD DVN15 1 NAD	
		804	3880R-E002A	Bag,Vinyl	CUTTING HDPE 430 500 0.5 DVD90	NSP
		808	6910A90004A	Battery,Alkaline	R03P 1500MV 4AH AAA	
		808	841-0021	Battery,Manganese	ER03X 1500MV 500MAH AAA	ALTERNATE
		900	6711R2N124C	Remote Controller Assembly	NAD DVN156 NAD	
*** Board Assembly ***						
		A43	3501RF9903B	Board Assembly	DVD DVN156EH HA6ENNT FRONT	
		280	3721R-F465B	Panel Assembly,Front	DVD DVN156EH HA6ENNT NAD (TITA	NSP
		452	1SZZR-0098A	Screw,Customzied	- + 3MM 10MM MSWR FZY SIN JIN	
		A49	6871R-9634A	PCB Assembly	DVD100S NAD MODEL TIMER SH	
		C901	0CE2274C638	Capacitor,AL,Radial	ESS227M6R3T1A5E07G 220uF 20% 6	
		C902	0CE4764C638	Capacitor,AL,Radial	ESS476M6R3T1A5C07G 47uF 20% 6.	
		CN902	6631R-E0349	CONNECTOR ASSEMBLY	GIL-S/9073ST 8PIN 220M/M 10000	
		CN903	6630R-FB05L	Conector,FPC/FPC/PIC	00-6232-012-104-800 12P 1.00MM	
		DIG901	6301R2U017G	LED Assembly	TOS-2604AW-B4 OASIS LED CLOCK	
		RC901	6712R1238HA	Receiver Module	AT138ARF1(346HF6N2-B) 2.7TO6V	
		SW901	6600R000036	Switch,Tact	EVQ22505R 1C1P 15VDC 0.02A VER	
		SW901	6600R000039	Switch,Tact	TSH-2VT 1C1P 12VDC 0.05A VERTI	ALTERNATE
		SW907	6600R000036	Switch,Tact	EVQ22505R 1C1P 15VDC 0.02A VER	
		SW907	6600R000039	Switch,Tact	TSH-2VT 1C1P 12VDC 0.05A VERTI	ALTERNATE
		C910	0CH4151K412	Capacitor,Ceramic,Chip	0603N151J500LT 150pF 5% 50V C0	
		C911	0CH4151K412	Capacitor,Ceramic,Chip	0603N151J500LT 150pF 5% 50V C0	
		C912	0CH4151K412	Capacitor,Ceramic,Chip	0603N151J500LT 150pF 5% 50V C0	
		C913	0CH4151K412	Capacitor,Ceramic,Chip	0603N151J500LT 150pF 5% 50V C0	
		C914	0CH1104K942	Capacitor,Ceramic,Chip	0603F104Z500CT 100nF -20TO+80%	
		C915	0CH1104K942	Capacitor,Ceramic,Chip	0603F104Z500CT 100nF -20TO+80%	
		IC901	0IPRP00723A	IC,I/O Support Chip	pt6965 4.5TO5.5V 400mA 500KHZ	
		L901	6200HJC102A	Filter,Bead	HB-1M2012-102JT 1000OHM 2X1.25	
		R901	0RH0471C622	Resistor,Chip	MCR03EZPJ4R7 4.7OHM 5% 1/10W 1	
		R902	0RH4701C622	Resistor,Chip	MCR03EZPJ472 4.7KOHM 5% 1/10W	
		R903	0RH4701C622	Resistor,Chip	MCR03EZPJ472 4.7KOHM 5% 1/10W	
		R904	0RH5102C622	Resistor,Chip	MCR03EZPJ513 51KOHM 5% 1/10W 1	
		R905	0RH3300C622	Resistor,Chip	MCR03EZPJ331 330OHM 5% 1/10W 1	
		R906	0RH1002C622	Resistor,Chip	MCR03EZPJ103 10KOHM 5% 1/10W 1	
		R907	0RH1002C622	Resistor,Chip	MCR03EZPJ103 10KOHM 5% 1/10W 1	
		R908	0RH1002C622	Resistor,Chip	MCR03EZPJ103 10KOHM 5% 1/10W 1	
		R909	0RH1002C622	Resistor,Chip	MCR03EZPJ103 10KOHM 5% 1/10W 1	
		A42	6871R-9374A	PCB Assembly	ZORAN 888 NAD MODEL KEY ASSY S	
		CN901	561-711H	Conector,Wafer	GIL-S-08P-S2T2-EF 8P 2.00MM 1R	
		SW902	6600R000036	Switch,Tact	EVQ22505R 1C1P 15VDC 0.02A VER	

S	AL	LOCA. NO.	PART NO.	DESCRIPTION	SPECIFICATION	REMARKS
		SW903	6600R000036	Switch,Tact	EVQ22505R 1C1P 15VDC 0.02A VER	
		SW904	6600R000036	Switch,Tact	EVQ22505R 1C1P 15VDC 0.02A VER	
		SW905	6600R000036	Switch,Tact	EVQ22505R 1C1P 15VDC 0.02A VER	
		SW906	6600R000036	Switch,Tact	EVQ22505R 1C1P 15VDC 0.02A VER	
		CABLE90	6850R-GL14Z	Cable,FFC	DV191KEM 140MM 2.00MM NO WHITE	
*** Deck Assembly,DVD ***						
		A00	6721RHD080D	Deck Assembly,DVD	DVD DP-10 ZORAN888 PLAYER (SH)	NSP
		430	1SZZR-0064B	Screw,Customzied	- + 1.7MM 7MM SWRCH FZB	
		A02	3041R-D041A	Base Assembly	MAIN DP-10 (SH)	
		013	4400R-0010A	Belt	MOLD RUBBER DVD DP-9 OTHER LOA	
		014	4470R-0154A	Gear	MOLD POM DECK/MECHA DP8 PULLE	
		015	4681R-A015A	Motor,Unclassified	DECK/MECHA LOADING DP-9 SH	
		017	4470R-0176A	Gear	MOLD POM DVD DP-9 LOADING MO	
		018	4974R-0066A	Guide	MOLD POM DVD DP-9 UP/DOWN MOL	
		019	3210R-M007A	Frame	MOLD ABS DP-9 UP/DOWN MOLD	
		020	3040R-M062A	Base	MOLD ABS MAIN DP-9 MOLD	
		435	1SZZR-0011A	Screw,Customzied	MACHINE	
		439	1SZZR-0075A	Screw,Customzied	- + 1.7MM 10MM SWRCH FZW	
		440	1SZZH-1007B	Screw,Customzied	+ D2.0 6MM SWRCH16A/ZNBK 4MM 1	
		015A	4680R-E008A	Motor,DC	RF-300EA-1D390 2V 90MA 25MA 1.	NSP
		015B	4560R-0008A	Pulley	MOLD POM MOTOR	
		016	6871R-4067A	PCB Assembly	D-10 FEEDING/LOADING	
		A03	3041R-M076A	Base Assembly	SLED DP10 (ZORAN 888)	
		010	6850R-JW24Y	Cable,FFC	1.0-23-240-E-5x10x5x10-0.035x0	
		021	4681R-B009C	Motor,Unclassified	DECK/MECHA DP-10 FEEDING	
		024	4470R-0179A	Gear	MOLD POM DVD DP-9 PINION MOL	
		025	4470R-0178A	Gear	MOLD POM DVD DP-9 MIDDLE MOLD	
		030	4470R-0180A	Gear	MOLD POM DVD DP-9 RACK MOLD	
		036	4370R-0136A	Shaft	CUTTING STS 301 DVD PU, DR-02	
		431	1SZZR-0062A	Screw,Customzied	- + 1.7MM 4.5MM SWRCH NI PLT	
		432	1SZZR-0072A	Screw,Customzied	- + 1.7MM 4.5MM SWRCH FZY	
		435	1SZZR-0011A	Screw,Customzied	MACHINE	
		439	1SZZR-0075A	Screw,Customzied	- + 1.7MM 10MM SWRCH FZW	
		026	3390R-0029A	Tray	MOLD ABS DVD DP-9 DISK MOLD	
		A01	4861R-0016B	Clamp Assembly	DISC DP7 - SH	
		001	3300R-0547A	Plate	PRESS STS 301 T0.3 CLAMP	NSP
		002	5016H-1016B	Magnet	CLAMP(LDM-R608,10*5,1*1.5T)	NSP
		003	4860R-0021A	Clamp	MOLD POM UPPER DP7	NSP
		012	5040R-0083A	Damper	CUTTING RUBBER DVD DP-6, DP-8	
		012A	5040R-0110A	Damper	CUTTING RUBBER DVD REAR DP8 RI	
*** Option Code Assembly ***						
		A46	6885R-8313Y	Option Code Assembly	DVN156EH HA6ENNT 55(U) 53(S) 0	
		IC604A	SAA30018605	S/W,Firmware	NV10C40223B.ZIH . WORLD WIDE .	
		JK701	6612J10029F	Jack,RCA	RCA-513A-01-01G 15.0MM 2RX3C A	
		JK702	6612J10030B	Jack,RCA	RCA-425A-01-01G 15MM 2RX2C ANG	
		JK703	6612K00003D	Jack,Fiber Optic	JST1164 3P TX 2.54MM ANGLE 13.	
		X601	6212AA2271F	Crystal	HC-49/S 27MHZ 20PPM 27MHZ 20PP	
		X601	6212AA2270W	Crystal	HC-49S SIWARD 27MHZ +/- 20 PPM	ALTERNATE
		C201	0CE1074F638	Capacitor,AL,Radial	SRA5.0TP16VB100M 100uF 20% 16V	
		C208	0CE4764C638	Capacitor,AL,Radial	ESS476M6R3T1A5C07G 47uF 20% 6.	
		C209	0CE4764C638	Capacitor,AL,Radial	ESS476M6R3T1A5C07G 47uF 20% 6.	
		C214	0CE4775C638	Capacitor,Unclassified	470UF SR,SV 6.3V 20% FM5 TP 5	
		C217	0CE1074F638	Capacitor,AL,Radial	SRA5.0TP16VB100M 100uF 20% 16V	
		C223	0CE4764C638	Capacitor,AL,Radial	ESS476M6R3T1A5C07G 47uF 20% 6.	
		C686	0CE4775C638	Capacitor,Unclassified	470UF SR,SV 6.3V 20% FM5 TP 5	
		C6A1	0CE4764C638	Capacitor,AL,Radial	ESS476M6R3T1A5C07G 47uF 20% 6.	
		C6A2	0CE1064F638	Capacitor,AL,Radial	ESS106M016T1A5B07G 10uF 20% 16	

S	AL	LOCA. NO.	PART NO.	DESCRIPTION	SPECIFICATION	REMARKS
		C6A5	0CE1074F638	Capacitor,AL,Radial	SRA5.0TP16VB100M 100uF 20% 16V	
		C6A6	0CE4764C638	Capacitor,AL,Radial	ESS476M6R3T1A5C07G 47uF 20% 6.	
		C6A7	0CE1064F638	Capacitor,AL,Radial	ESS106M016T1A5B07G 10uF 20% 16	
		C6C9	0CE2274C638	Capacitor,AL,Radial	ESS227M6R3T1A5E07G 220uF 20% 6	
		C6E1	0CE2274C638	Capacitor,AL,Radial	ESS227M6R3T1A5E07G 220uF 20% 6	
		C6E2	0CE1074F638	Capacitor,AL,Radial	SRA5.0TP16VB100M 100uF 20% 16V	
		C6E3	0CE1074F638	Capacitor,AL,Radial	SRA5.0TP16VB100M 100uF 20% 16V	
		C6E4	0CE4764C638	Capacitor,AL,Radial	ESS476M6R3T1A5C07G 47uF 20% 6.	
		C6E5	0CE4764C638	Capacitor,AL,Radial	ESS476M6R3T1A5C07G 47uF 20% 6.	
		C6E6	0CE4775C638	Capacitor,Unclassified	470UF SR,SV 6.3V 20% FM5 TP 5	
		C6E7	0CE3363F638	Capacitor,AL,Radial	SRE5.0TP16VB33M 33uF 20% 16V 4	
		C6E8	0CE1064F638	Capacitor,AL,Radial	ESS106M016T1A5B07G 10uF 20% 16	
		C6F7	0CE2274C638	Capacitor,AL,Radial	ESS227M6R3T1A5E07G 220uF 20% 6	
		C6J1	0CE1064F638	Capacitor,AL,Radial	ESS106M016T1A5B07G 10uF 20% 16	
		C6R2	0CE1064F638	Capacitor,AL,Radial	ESS106M016T1A5B07G 10uF 20% 16	
		C727	0CE2264F638	Capacitor,AL,Radial	ESS226M016T1A5B07G 22uF 20% 16	
		C741	0CE4764C638	Capacitor,AL,Radial	ESS476M6R3T1A5C07G 47uF 20% 6.	
		C782	0CE4775C638	Capacitor,Unclassified	470UF SR,SV 6.3V 20% FM5 TP 5	
		C783	0CE4775C638	Capacitor,Unclassified	470UF SR,SV 6.3V 20% FM5 TP 5	
		C784	0CE4775C638	Capacitor,Unclassified	470UF SR,SV 6.3V 20% FM5 TP 5	
		C785	0CE4775C638	Capacitor,Unclassified	470UF SR,SV 6.3V 20% FM5 TP 5	
		C787	0CE1074F638	Capacitor,AL,Radial	SRA5.0TP16VB100M 100uF 20% 16V	
		C7E1	0CE2274C638	Capacitor,AL,Radial	ESS227M6R3T1A5E07G 220uF 20% 6	
		C7E2	0CE2264F638	Capacitor,AL,Radial	ESS226M016T1A5B07G 22uF 20% 16	
		C7E3	0CE4764C638	Capacitor,AL,Radial	ESS476M6R3T1A5C07G 47uF 20% 6.	
		C7E4	0CE4773F638	Capacitor,Unclassified	470UF SRE,SE 16V 20% FM5 TP 5	
		C7E5	0CE2264F638	Capacitor,AL,Radial	ESS226M016T1A5B07G 22uF 20% 16	
		C7E6	0CE2264F638	Capacitor,AL,Radial	ESS226M016T1A5B07G 22uF 20% 16	
		C7E7	0CE2264F638	Capacitor,AL,Radial	ESS226M016T1A5B07G 22uF 20% 16	
		C7E8	0CE2264F638	Capacitor,AL,Radial	ESS226M016T1A5B07G 22uF 20% 16	
		C7E9	0CE2264F638	Capacitor,AL,Radial	ESS226M016T1A5B07G 22uF 20% 16	
		C7F1	0CE2264F638	Capacitor,AL,Radial	ESS226M016T1A5B07G 22uF 20% 16	
		C7F2	0CE2264F638	Capacitor,AL,Radial	ESS226M016T1A5B07G 22uF 20% 16	
		C7F3	0CE1074F638	Capacitor,AL,Radial	SRA5.0TP16VB100M 100uF 20% 16V	
		D201	0DR104009AB	Diode,Rectifier	RL104R 400V 1.1V 5UA 30A - A40	
		IC606	0IKE702700B	IC,Unclassified	KIA7027P ST RESET IC TO-92 - -	
		C202	0CH1104K942	Capacitor,Ceramic,Chip	0603F104Z500CT 100nF -20TO+80%	
		C203	0CH1103K562	Capacitor,Ceramic,Chip	0603B103K500CT 10nF 10% 50V X7	
		C204	0CH1104K942	Capacitor,Ceramic,Chip	0603F104Z500CT 100nF -20TO+80%	
		C205	0CH1104K942	Capacitor,Ceramic,Chip	0603F104Z500CT 100nF -20TO+80%	
		C206	0CH1104K942	Capacitor,Ceramic,Chip	0603F104Z500CT 100nF -20TO+80%	
		C207	0CH1104K942	Capacitor,Ceramic,Chip	0603F104Z500CT 100nF -20TO+80%	
		C210	0CH1104K942	Capacitor,Ceramic,Chip	0603F104Z500CT 100nF -20TO+80%	
		C211	0CH4330K412	Capacitor,Ceramic,Chip	0603N330J500LT 33pF 5% 50V C0G	
		C213	0CH1104K942	Capacitor,Ceramic,Chip	0603F104Z500CT 100nF -20TO+80%	
		C216	0CH4101K412	Capacitor,Ceramic,Chip	0603N101J500LT 100pF 5% 50V C0	
		C219	0CH1104K942	Capacitor,Ceramic,Chip	0603F104Z500CT 100nF -20TO+80%	
		C220	0CH1104K942	Capacitor,Ceramic,Chip	0603F104Z500CT 100nF -20TO+80%	
		C224	0CH1103K562	Capacitor,Ceramic,Chip	0603B103K500CT 10nF 10% 50V X7	
		C602	0CH1273F562	Capacitor,Ceramic,Chip	0603B273K160CT 27nF 10% 16V X7	
		C603	0CH4330K412	Capacitor,Ceramic,Chip	0603N330J500LT 33pF 5% 50V C0G	
		C604	0CH1102K562	Capacitor,Ceramic,Chip	0603B102K500CT 1nF 10% 50V X7R	
		C605	0CH1103K562	Capacitor,Ceramic,Chip	0603B103K500CT 10nF 10% 50V X7	
		C606	0CH1103K562	Capacitor,Ceramic,Chip	0603B103K500CT 10nF 10% 50V X7	
		C607	0CH1103K562	Capacitor,Ceramic,Chip	0603B103K500CT 10nF 10% 50V X7	
		C608	0CH1104K942	Capacitor,Ceramic,Chip	0603F104Z500CT 100nF -20TO+80%	
		C610	0CH1102K562	Capacitor,Ceramic,Chip	0603B102K500CT 1nF 10% 50V X7R	

S	AL	LOCA. NO.	PART NO.	DESCRIPTION	SPECIFICATION	REMARKS
		C611	0CH1104K942	Capacitor,Ceramic,Chip	0603F104Z500CT 100nF -20TO+80%	
		C613	0CH1104K942	Capacitor,Ceramic,Chip	0603F104Z500CT 100nF -20TO+80%	
		C615	0CH1104K942	Capacitor,Ceramic,Chip	0603F104Z500CT 100nF -20TO+80%	
		C617	0CH1104K942	Capacitor,Ceramic,Chip	0603F104Z500CT 100nF -20TO+80%	
		C618	0CH1101F642	Capacitor,Ceramic,Chip	C1608Y5V1C101MT 100pF 20% 16V	
		C619	0CH4150K412	Capacitor,Ceramic,Chip	0603N150J500LT 15pF 5% 50V C0G	
		C622	0CH4180K412	Capacitor,Ceramic,Chip	0603N180J500LT 18pF 5% 50V C0G	
		C623	0CH1103K562	Capacitor,Ceramic,Chip	0603B103K500CT 10nF 10% 50V X7	
		C624	0CH1104K942	Capacitor,Ceramic,Chip	0603F104Z500CT 100nF -20TO+80%	
		C625	0CH1103K562	Capacitor,Ceramic,Chip	0603B103K500CT 10nF 10% 50V X7	
		C626	0CH1101F642	Capacitor,Ceramic,Chip	C1608Y5V1C101MT 100pF 20% 16V	
		C627	0CH1103K562	Capacitor,Ceramic,Chip	0603B103K500CT 10nF 10% 50V X7	
		C628	0CH1103K562	Capacitor,Ceramic,Chip	0603B103K500CT 10nF 10% 50V X7	
		C629	0CH1103K562	Capacitor,Ceramic,Chip	0603B103K500CT 10nF 10% 50V X7	
		C630	0CH1103K562	Capacitor,Ceramic,Chip	0603B103K500CT 10nF 10% 50V X7	
		C631	0CH1103K562	Capacitor,Ceramic,Chip	0603B103K500CT 10nF 10% 50V X7	
		C632	0CH1103K562	Capacitor,Ceramic,Chip	0603B103K500CT 10nF 10% 50V X7	
		C633	0CH1103K562	Capacitor,Ceramic,Chip	0603B103K500CT 10nF 10% 50V X7	
		C634	0CH1103K562	Capacitor,Ceramic,Chip	0603B103K500CT 10nF 10% 50V X7	
		C635	0CH1103K562	Capacitor,Ceramic,Chip	0603B103K500CT 10nF 10% 50V X7	
		C637	0CH1103K562	Capacitor,Ceramic,Chip	0603B103K500CT 10nF 10% 50V X7	
		C638	0CH1103K562	Capacitor,Ceramic,Chip	0603B103K500CT 10nF 10% 50V X7	
		C639	0CH1103K562	Capacitor,Ceramic,Chip	0603B103K500CT 10nF 10% 50V X7	
		C640	0CH1103K562	Capacitor,Ceramic,Chip	0603B103K500CT 10nF 10% 50V X7	
		C641	0CH1102K562	Capacitor,Ceramic,Chip	0603B102K500CT 1nF 10% 50V X7R	
		C644	0CH1104K942	Capacitor,Ceramic,Chip	0603F104Z500CT 100nF -20TO+80%	
		C645	0CH1103K562	Capacitor,Ceramic,Chip	0603B103K500CT 10nF 10% 50V X7	
		C646	0CH1101F642	Capacitor,Ceramic,Chip	C1608Y5V1C101MT 100pF 20% 16V	
		C647	0CH1102K562	Capacitor,Ceramic,Chip	0603B102K500CT 1nF 10% 50V X7R	
		C648	0CH1103K562	Capacitor,Ceramic,Chip	0603B103K500CT 10nF 10% 50V X7	
		C649	0CH1103K562	Capacitor,Ceramic,Chip	0603B103K500CT 10nF 10% 50V X7	
		C650	0CH1103K562	Capacitor,Ceramic,Chip	0603B103K500CT 10nF 10% 50V X7	
		C652	0CH1101F642	Capacitor,Ceramic,Chip	C1608Y5V1C101MT 100pF 20% 16V	
		C657	0CH1103K562	Capacitor,Ceramic,Chip	0603B103K500CT 10nF 10% 50V X7	
		C658	0CH1104K942	Capacitor,Ceramic,Chip	0603F104Z500CT 100nF -20TO+80%	
		C659	0CH1104K942	Capacitor,Ceramic,Chip	0603F104Z500CT 100nF -20TO+80%	
		C660	0CH1104K942	Capacitor,Ceramic,Chip	0603F104Z500CT 100nF -20TO+80%	
		C664	0CH1104K942	Capacitor,Ceramic,Chip	0603F104Z500CT 100nF -20TO+80%	
		C665	0CH4330K412	Capacitor,Ceramic,Chip	0603N330J500LT 33pF 5% 50V C0G	
		C666	0CH4330K412	Capacitor,Ceramic,Chip	0603N330J500LT 33pF 5% 50V C0G	
		C667	0CH1103K562	Capacitor,Ceramic,Chip	0603B103K500CT 10nF 10% 50V X7	
		C668	0CH1103K562	Capacitor,Ceramic,Chip	0603B103K500CT 10nF 10% 50V X7	
		C669	0CH1103K562	Capacitor,Ceramic,Chip	0603B103K500CT 10nF 10% 50V X7	
		C670	0CH1103K562	Capacitor,Ceramic,Chip	0603B103K500CT 10nF 10% 50V X7	
		C671	0CH1103K562	Capacitor,Ceramic,Chip	0603B103K500CT 10nF 10% 50V X7	
		C672	0CH1102K562	Capacitor,Ceramic,Chip	0603B102K500CT 1nF 10% 50V X7R	
		C674	0CH1102K562	Capacitor,Ceramic,Chip	0603B102K500CT 1nF 10% 50V X7R	
		C675	0CH1223F512	Capacitor,Ceramic,Chip	0603B223K160CT 22nF 10% 16V Y5	
		C676	0CH4330K412	Capacitor,Ceramic,Chip	0603N330J500LT 33pF 5% 50V C0G	
		C677	0CH4330K412	Capacitor,Ceramic,Chip	0603N330J500LT 33pF 5% 50V C0G	
		C678	0CH1103K562	Capacitor,Ceramic,Chip	0603B103K500CT 10nF 10% 50V X7	
		C679	0CH1103K562	Capacitor,Ceramic,Chip	0603B103K500CT 10nF 10% 50V X7	
		C680	0CH1103K562	Capacitor,Ceramic,Chip	0603B103K500CT 10nF 10% 50V X7	
		C681	0CH1103K562	Capacitor,Ceramic,Chip	0603B103K500CT 10nF 10% 50V X7	
		C683	0CH1103K562	Capacitor,Ceramic,Chip	0603B103K500CT 10nF 10% 50V X7	
		C684	0CH1103K562	Capacitor,Ceramic,Chip	0603B103K500CT 10nF 10% 50V X7	
		C687	0CH4221K412	Capacitor,Ceramic,Chip	0603N221J500LT 220pF 5% 50V C0	

S	AL	LOCA. NO.	PART NO.	DESCRIPTION	SPECIFICATION	REMARKS
		C688	0CH4221K412	Capacitor,Ceramic,Chip	0603N221J500LT 220pF 5% 50V C0	
		C689	0CH4221K412	Capacitor,Ceramic,Chip	0603N221J500LT 220pF 5% 50V C0	
		C690	0CH4221K412	Capacitor,Ceramic,Chip	0603N221J500LT 220pF 5% 50V C0	
		C691	0CH4221K412	Capacitor,Ceramic,Chip	0603N221J500LT 220pF 5% 50V C0	
		C693	0CH4330K412	Capacitor,Ceramic,Chip	0603N330J500LT 33pF 5% 50V C0G	
		C694	0CH4330K412	Capacitor,Ceramic,Chip	0603N330J500LT 33pF 5% 50V C0G	
		C699	0CH1103K562	Capacitor,Ceramic,Chip	0603B103K500CT 10nF 10% 50V X7	
		C6F1	0CH1104K942	Capacitor,Ceramic,Chip	0603F104Z500CT 100nF -20TO+80%	
		C6F2	0CH1104K942	Capacitor,Ceramic,Chip	0603F104Z500CT 100nF -20TO+80%	
		C6F3	0CH1104K942	Capacitor,Ceramic,Chip	0603F104Z500CT 100nF -20TO+80%	
		C6F4	0CH1104K942	Capacitor,Ceramic,Chip	0603F104Z500CT 100nF -20TO+80%	
		C6F5	0CH1104K942	Capacitor,Ceramic,Chip	0603F104Z500CT 100nF -20TO+80%	
		C6F6	0CH1104K942	Capacitor,Ceramic,Chip	0603F104Z500CT 100nF -20TO+80%	
		C6L1	0CH1102K562	Capacitor,Ceramic,Chip	0603B102K500CT 1nF 10% 50V X7R	
		C6R1	0CH1473K562	Capacitor,Ceramic,Chip	0603B473K500CT 47nF 10% 50V X7	
		C701	0CH1104K942	Capacitor,Ceramic,Chip	0603F104Z500CT 100nF -20TO+80%	
		C702	0CH1104K942	Capacitor,Ceramic,Chip	0603F104Z500CT 100nF -20TO+80%	
		C703	0CH1105F942	Capacitor,Ceramic,Chip	0603F105Z160CT 1uF -20TO+80% 1	
		C704	0CH1105F942	Capacitor,Ceramic,Chip	0603F105Z160CT 1uF -20TO+80% 1	
		C705	0CH1103K562	Capacitor,Ceramic,Chip	0603B103K500CT 10nF 10% 50V X7	
		C706	0CH4392K412	Capacitor,Ceramic,Chip	C1608C0G1H392JT 3.9nF 5% 50V C	
		C707	0CH4392K412	Capacitor,Ceramic,Chip	C1608C0G1H392JT 3.9nF 5% 50V C	
		C708	0CH1104K942	Capacitor,Ceramic,Chip	0603F104Z500CT 100nF -20TO+80%	
		C709	0CH1104K942	Capacitor,Ceramic,Chip	0603F104Z500CT 100nF -20TO+80%	
		C710	0CH1102K562	Capacitor,Ceramic,Chip	0603B102K500CT 1nF 10% 50V X7R	
		C711	0CH1104K942	Capacitor,Ceramic,Chip	0603F104Z500CT 100nF -20TO+80%	
		C712	0CH1104K942	Capacitor,Ceramic,Chip	0603F104Z500CT 100nF -20TO+80%	
		C713	0CH4220K412	Capacitor,Ceramic,Chip	0603N220J500LT 22pF 5% 50V C0G	
		C715	0CH4270K412	Capacitor,Ceramic,Chip	0603N270J500LT 27pF 5% 50V C0G	
		C726	0CH4271K412	Capacitor,Ceramic,Chip	C1608C0G1H271JT 270pF 5% 50V C	
		C728	0CH4271K412	Capacitor,Ceramic,Chip	C1608C0G1H271JT 270pF 5% 50V C	
		C729	0CH4271K412	Capacitor,Ceramic,Chip	C1608C0G1H271JT 270pF 5% 50V C	
		C732	0CH1104K942	Capacitor,Ceramic,Chip	0603F104Z500CT 100nF -20TO+80%	
		C733	0CH1104K942	Capacitor,Ceramic,Chip	0603F104Z500CT 100nF -20TO+80%	
		C734	0CH1102K562	Capacitor,Ceramic,Chip	0603B102K500CT 1nF 10% 50V X7R	
		C735	0CH4271K412	Capacitor,Ceramic,Chip	C1608C0G1H271JT 270pF 5% 50V C	
		C742	0CH1104K942	Capacitor,Ceramic,Chip	0603F104Z500CT 100nF -20TO+80%	
		C776	0CH1105F942	Capacitor,Ceramic,Chip	0603F105Z160CT 1uF -20TO+80% 1	
		C777	0CH1105F942	Capacitor,Ceramic,Chip	0603F105Z160CT 1uF -20TO+80% 1	
		C780	0CH1105F942	Capacitor,Ceramic,Chip	0603F105Z160CT 1uF -20TO+80% 1	
		C781	0CH1105F942	Capacitor,Ceramic,Chip	0603F105Z160CT 1uF -20TO+80% 1	
		C789	0CH1104K942	Capacitor,Ceramic,Chip	0603F104Z500CT 100nF -20TO+80%	
		CN201	6630XE00123	Conector,FFC/FPC/PIC	04-6232-023-010-000 23P 1.00MM	
		CN202	6630XE00109	Conector,FFC/FPC/PIC	04-6232-009-010-000 9P 1.00MM	
		CN603	6630R3S006C	Conector,Wafer	GT200-10P-SS-A 10P 2.00MM 1R S	
		CN604	6630XE00112	Conector,FFC/FPC/PIC	JE500-B1.0-T12 12P 1.00MM FFC	
		CN701	6630XE00115	Conector,FFC/FPC/PIC	04-6232-015-010-000 15P 1.00MM	
		CN702	6630XE00112	Conector,FFC/FPC/PIC	JE500-B1.0-T12 12P 1.00MM FFC	
		D6R1	0DSRM00118A	Diode,Switching	DAP202K 1.2V 80V 300MA 4A 4NSE	
		D700	0DSRM00118A	Diode,Switching	DAP202K 1.2V 80V 300MA 4A 4NSE	
		D700	0DD181009AA	Diode,Switching	KDS181-T1(A3) 1.2V 85V 300MA 2	ALTERNATE
		IC201	0ILNR00091A	IC, Motor Driver	AM5869S 4.3TO13.2V 3.1TO3.5V 1	
		IC601	0ILNR00177A	IC, Video Processors	ZR36888HLCG 1.8VTO3.3V,0.0VTO0	
		IC603	0IMMRHY001M	IC, SDRAM	HY57V641620ETP-7 64MBIT 1MX16B	
		IC603	0IMMRREB004E	IC, SDRAM	M12L64164A-7TG 64MBIT 1MX16BIT	ALTERNATE
		IC605	0IMMRSS038A	IC,EEPROM	S524C80D80 8KBIT 1KX8BIT 2.5VT	
		IC6R1	0ISTL00104A	IC,CMOS	74LV86PW 1.0TO3.6V 20mA EXCLUS	

S	AL	LOCA. NO.	PART NO.	DESCRIPTION	SPECIFICATION	REMARKS
		IC701	0ILNR00048A	IC,Display Driver	MM1692XVBE 7V 2.4V 1W TSOP R/T	
		IC702	0IPRPCI002B	IC,D/A Converter	CS4392-KZR 4.75TO5.5V 192KHZ 2	
		IC703	0ILNRBB003A	IC,OP Amplifier	OPA2604AU +4.5TO+-24V 5mV 0.0	
		JK6R1	6612F00064B	Jack,Phone	PJ-376 1P 2P ANGLE TR 3.6MM BL	
		JK705	6630R-SY08W	Conector,I/O	HMR48-AK5210 19P 0.50MM ANGLE	
		L202	6200HJC102A	Filter,Bead	HB-1M2012-102JT 1000OHM 2X1.25	
		L203	6200HJC102A	Filter,Bead	HB-1M2012-102JT 1000OHM 2X1.25	
		L205	6200HJC102A	Filter,Bead	HB-1M2012-102JT 1000OHM 2X1.25	
		L206	6200HJC102A	Filter,Bead	HB-1M2012-102JT 1000OHM 2X1.25	
		L601	6200HJC102A	Filter,Bead	HB-1M2012-102JT 1000OHM 2X1.25	
		L602	6200HJC102A	Filter,Bead	HB-1M2012-102JT 1000OHM 2X1.25	
		L603	6200HJC102A	Filter,Bead	HB-1M2012-102JT 1000OHM 2X1.25	
		L604	6200HJC102A	Filter,Bead	HB-1M2012-102JT 1000OHM 2X1.25	
		L605	6200HJC102A	Filter,Bead	HB-1M2012-102JT 1000OHM 2X1.25	
		L607	6200HJC102A	Filter,Bead	HB-1M2012-102JT 1000OHM 2X1.25	
		L608	6200HJC102A	Filter,Bead	HB-1M2012-102JT 1000OHM 2X1.25	
		L610	6200HJC102A	Filter,Bead	HB-1M2012-102JT 1000OHM 2X1.25	
		L612	0LC11608C01	Filter,Bead	HB-1M1608-102JT 1000OHM 1.6X0.	
		L613	6200HJC102A	Filter,Bead	HB-1M2012-102JT 1000OHM 2X1.25	
		L614	6200HJC102A	Filter,Bead	HB-1M2012-102JT 1000OHM 2X1.25	
		L615	6200HJC102A	Filter,Bead	HB-1M2012-102JT 1000OHM 2X1.25	
		L6A5	6200HJC102A	Filter,Bead	HB-1M2012-102JT 1000OHM 2X1.25	
		L6A8	6200HJC102A	Filter,Bead	HB-1M2012-102JT 1000OHM 2X1.25	
		L6A9	6200HJC102A	Filter,Bead	HB-1M2012-102JT 1000OHM 2X1.25	
		L6B3	6200HJC102A	Filter,Bead	HB-1M2012-102JT 1000OHM 2X1.25	
		L6B5	6200HJC102A	Filter,Bead	HB-1M2012-102JT 1000OHM 2X1.25	
		L6B6	6200HJC102A	Filter,Bead	HB-1M2012-102JT 1000OHM 2X1.25	
		L701	6200HJC102A	Filter,Bead	HB-1M2012-102JT 1000OHM 2X1.25	
		L702	6200HJC102A	Filter,Bead	HB-1M2012-102JT 1000OHM 2X1.25	
		L703	6200HJC102A	Filter,Bead	HB-1M2012-102JT 1000OHM 2X1.25	
		L716	0LCCE00004E	Inductor,Multilayer,Chip	FI-C2012-103KJT 10UH 10% - 25M	
		L717	0LCCE00004E	Inductor,Multilayer,Chip	FI-C2012-103KJT 10UH 10% - 25M	
		L718	6200HJC102A	Filter,Bead	HB-1M2012-102JT 1000OHM 2X1.25	
		L727	0LCCE00004L	Inductor,Multilayer,Chip	FI-B2012-102KJT 1UH 10% - 100M	
		L728	0LCCE00004L	Inductor,Multilayer,Chip	FI-B2012-102KJT 1UH 10% - 100M	
		L729	0LCCE00004L	Inductor,Multilayer,Chip	FI-B2012-102KJT 1UH 10% - 100M	
		Q201	0TR103709BB	TR,Bipolar	2SA1037K-Q PNP -6V -60V -50V -	
		Q201	0TR150409AC	TR,Bipolar	KTA1504-GR PNP -5V -50V -50V -	ALTERNATE
		Q201	0TRAU80008A	TR,Bipolar	2SA1980SY PNP -5V -50V -50V -0	ALTERNATE
		Q202	0TR103709BB	TR,Bipolar	2SA1037K-Q PNP -6V -60V -50V -	
		Q202	0TR150409AC	TR,Bipolar	KTA1504-GR PNP -5V -50V -50V -	ALTERNATE
		Q202	0TRAU80008A	TR,Bipolar	2SA1980SY PNP -5V -50V -50V -0	ALTERNATE
		Q203	0TRKE80068A	TR,Bipolar	KTA1531T-Y PNP -5V -30V -20V -	
		Q601	0TR390409DA	TR,Bipolar	2N3904S NPN 6V 60V 40V 200MA 5	
		Q602	0TR390409DA	TR,Bipolar	2N3904S NPN 6V 60V 40V 200MA 5	
		Q603	0TR390409DA	TR,Bipolar	2N3904S NPN 6V 60V 40V 200MA 5	
		Q6R1	0TR387509AC	TR,Bipolar	KTC3875S-GR(ALG) NPN 5V 60V 50	
		Q701	0TRAU80008A	TR,Bipolar	2SA1980SY PNP -5V -50V -50V -0	
		Q701	0TR103709BB	TR,Bipolar	2SA1037K-Q PNP -6V -60V -50V -	ALTERNATE
		Q701	0TR150409AC	TR,Bipolar	KTA1504-GR PNP -5V -50V -50V -	ALTERNATE
		Q704	0TRAU80012A	TR,Bipolar	SRA2203S PNP -40V - -50V -0.1A	
		Q704	0TR103009AC	TR,Bipolar	KRA103S-T1 PNP -40V - -50V -0.	ALTERNATE
		Q704	0TRON80007A	TR,Bipolar	MMUN2112LT1 PNP - -50V -50V -0	ALTERNATE
		Q705	0TRON80009A	TR,Bipolar	BC846ALT1 NPN 6V 80V 65V 100MA	
		Q705	0TRAU80017A	TR,Bipolar	2SC5343SG NPN 5V 60V 50V 150MA	ALTERNATE
		Q705	0TR387509AC	TR,Bipolar	KTC3875S-GR(ALG) NPN 5V 60V 50	ALTERNATE
		Q706	0TRON80009A	TR,Bipolar	BC846ALT1 NPN 6V 80V 65V 100MA	

S	AL	LOCA. NO.	PART NO.	DESCRIPTION	SPECIFICATION	REMARKS
		Q706	0TR387509AC	TR,Bipolar	KTC3875S-GR(ALG) NPN 5V 60V 50	ALTERNATE
		Q706	0TRAU80017A	TR,Bipolar	2SC5343SG NPN 5V 60V 50V 150MA	ALTERNATE
		Q707	0TRAU80012A	TR,Bipolar	SRA2203S PNP -40V - -50V -0.1A	
		Q707	0TR103009AC	TR,Bipolar	KRA103S-T1 PNP -40V - -50V -0.	ALTERNATE
		Q707	0TRON80007A	TR,Bipolar	MMUN2112LT1 PNP - -50V -50V -0	ALTERNATE
		Q708	0TRON80009A	TR,Bipolar	BC846ALT1 NPN 6V 80V 65V 100MA	
		Q708	0TR387509AC	TR,Bipolar	KTC3875S-GR(ALG) NPN 5V 60V 50	ALTERNATE
		Q708	0TRAU80017A	TR,Bipolar	2SC5343SG NPN 5V 60V 50V 150MA	ALTERNATE
		Q711	0TRON80009A	TR,Bipolar	BC846ALT1 NPN 6V 80V 65V 100MA	
		Q711	0TRAU80017A	TR,Bipolar	2SC5343SG NPN 5V 60V 50V 150MA	ALTERNATE
		Q711	0TR387509AC	TR,Bipolar	KTC3875S-GR(ALG) NPN 5V 60V 50	ALTERNATE
		Q712	0TRON80009A	TR,Bipolar	BC846ALT1 NPN 6V 80V 65V 100MA	
		Q712	0TRAU80017A	TR,Bipolar	2SC5343SG NPN 5V 60V 50V 150MA	ALTERNATE
		Q712	0TR387509AC	TR,Bipolar	KTC3875S-GR(ALG) NPN 5V 60V 50	ALTERNATE
		Q713	0TRON80009A	TR,Bipolar	BC846ALT1 NPN 6V 80V 65V 100MA	
		Q713	0TRAU80017A	TR,Bipolar	2SC5343SG NPN 5V 60V 50V 150MA	ALTERNATE
		Q713	0TR387509AC	TR,Bipolar	KTC3875S-GR(ALG) NPN 5V 60V 50	ALTERNATE
		Q714	0TRON80009A	TR,Bipolar	BC846ALT1 NPN 6V 80V 65V 100MA	
		Q714	0TR387509AC	TR,Bipolar	KTC3875S-GR(ALG) NPN 5V 60V 50	ALTERNATE
		Q714	0TRAU80017A	TR,Bipolar	2SC5343SG NPN 5V 60V 50V 150MA	ALTERNATE
		Q715	0TFPH80002A	FET	2N7002 N-CHANNEL DMOSFET 60V +	
		Q716	0TFPH80002A	FET	2N7002 N-CHANNEL DMOSFET 60V +	
		R201	0RJ4300C477	Resistor,Chip	MCR03EZPF431 430OHM 1% 1/10W 1	
		R202	0RH1001C422	Resistor,Chip	MCR03EZPF102 1KOHM 1% 1/10W 16	
		R203	0RH3302C622	Resistor,Chip	MCR03EZPJ333 33KOHM 5% 1/10W 1	
		R204	0RH0332C622	Resistor,Chip	MCR03EZPJ330 33OHM 5% 1/10W 16	
		R206	0RH2201C622	Resistor,Chip	MCR03EZPJ222 2.2KOHM 5% 1/10W	
		R208	0RH1501C622	Resistor,Chip	MCR03EZPJ152 1.5KOHM 5% 1/10W	
		R209	0RH2701C622	Resistor,Chip	MCR03EZPJ272 2.7KOHM 5% 1/10W	
		R211	0RH1002C622	Resistor,Chip	MCR03EZPJ103 10KOHM 5% 1/10W 1	
		R212	0RH0000C622	Resistor,Chip	MCR03EZPJ000 0OHM 5% 1/10W 160	
		R213	0RH2202C622	Resistor,Chip	MCR03EZPJ223 22KOHM 5% 1/10W 1	
		R214	0RH0332C622	Resistor,Chip	MCR03EZPJ330 33OHM 5% 1/10W 16	
		R216	0RH2200C622	Resistor,Chip	MCR03EZPJ221 220OHM 5% 1/10W 1	
		R217	0RH0331C622	Resistor,Chip	MCR03EZPJ3R3 3.3OHM 5% 1/10W 1	
		R218	0RH2200C622	Resistor,Chip	MCR03EZPJ221 220OHM 5% 1/10W 1	
		R219	0RH0471C622	Resistor,Chip	MCR03EZPJ4R7 4.7OHM 5% 1/10W 1	
		R220	0RH4701C622	Resistor,Chip	MCR03EZPJ472 4.7KOHM 5% 1/10W	
		R221	0RH4701C622	Resistor,Chip	MCR03EZPJ472 4.7KOHM 5% 1/10W	
		R222	0RH1001C622	Resistor,Chip	MCR03EZPJ102 1KOHM 5% 1/10W 16	
		R224	0RH5602C622	Resistor,Chip	MCR03EZPJ563 56KOHM 5% 1/10W 1	
		R229	0RH1000C422	Resistor,Chip	MCR03EZPF101 100OHM 1% 1/10W 1	
		R230	0RH1000C422	Resistor,Chip	MCR03EZPF101 100OHM 1% 1/10W 1	
		R601	0RH3902C622	Resistor,Chip	MCR03EZPJ393 39KOHM 5% 1/10W 1	
		R602	0RH1502C622	Resistor,Chip	MCR03EZPJ153 15KOHM 5% 1/10W 1	
		R603	0RH4701C622	Resistor,Chip	MCR03EZPJ472 4.7KOHM 5% 1/10W	
		R604	0RH4302C622	Resistor,Chip	MCR03EZPJ433 43KOHM 5% 1/10W 1	
		R605	0RH2002C422	Resistor,Chip	MCR03EZPF203 20KOHM 1% 1/10W 1	
		R606	0RH0000C622	Resistor,Chip	MCR03EZPJ000 0OHM 5% 1/10W 160	
		R608	0RH0752C422	Resistor,Chip	MCR03EZPF750 75OHM 1% 1/10W 16	
		R609	0RH0752C422	Resistor,Chip	MCR03EZPF750 75OHM 1% 1/10W 16	
		R610	0RH0752C422	Resistor,Chip	MCR03EZPF750 75OHM 1% 1/10W 16	
		R611	0RH0752C422	Resistor,Chip	MCR03EZPF750 75OHM 1% 1/10W 16	
		R612	0RH0752C422	Resistor,Chip	MCR03EZPF750 75OHM 1% 1/10W 16	
		R613	0RJ3920C477	Resistor,Chip	MCR03EZPF3920 3920OHM 1% 1/10W	
		R615	0RH0332C622	Resistor,Chip	MCR03EZPJ330 33OHM 5% 1/10W 16	
		R616	0RH0332C622	Resistor,Chip	MCR03EZPJ330 33OHM 5% 1/10W 16	

S	AL	LOCA. NO.	PART NO.	DESCRIPTION	SPECIFICATION	REMARKS
		R620	0RH0000C622	Resistor,Chip	MCR03EZPJ000 0OHM 5% 1/10W 160	
		R621	0RH2201C622	Resistor,Chip	MCR03EZPJ222 2.2KOHM 5% 1/10W	
		R624	0RH1000C622	Resistor,Chip	MCR03EZPJ101 100OHM 5% 1/10W 1	
		R629	0RH1000C622	Resistor,Chip	MCR03EZPJ101 100OHM 5% 1/10W 1	
		R631	0RJ4300C477	Resistor,Chip	MCR03EZPF431 430OHM 1% 1/10W 1	
		R634	0RH0000C622	Resistor,Chip	MCR03EZPJ000 0OHM 5% 1/10W 160	
		R636	0RH0000C622	Resistor,Chip	MCR03EZPJ000 0OHM 5% 1/10W 160	
		R637	0LC11608D01	Filter,Bead	HB-1M1608-121JT 120OHM 1.6X0.8	
		R638	0RH4701C622	Resistor,Chip	MCR03EZPJ472 4.7KOHM 5% 1/10W	
		R639	0RH4701C622	Resistor,Chip	MCR03EZPJ472 4.7KOHM 5% 1/10W	
		R640	0RH4701C622	Resistor,Chip	MCR03EZPJ472 4.7KOHM 5% 1/10W	
		R643	0RH0332C622	Resistor,Chip	MCR03EZPJ330 33OHM 5% 1/10W 16	
		R644	0RH0332C622	Resistor,Chip	MCR03EZPJ330 33OHM 5% 1/10W 16	
		R645	0RH0332C622	Resistor,Chip	MCR03EZPJ330 33OHM 5% 1/10W 16	
		R646	0RH0332C622	Resistor,Chip	MCR03EZPJ330 33OHM 5% 1/10W 16	
		R648	0RH0332C622	Resistor,Chip	MCR03EZPJ330 33OHM 5% 1/10W 16	
		R649	0RH0332C622	Resistor,Chip	MCR03EZPJ330 33OHM 5% 1/10W 16	
		R650	0LCCE00041A	Filter,Bead	HB-1M1608-301JT 300OHM 1.6X0.8	
		R651	0RH3302C622	Resistor,Chip	MCR03EZPJ333 33KOHM 5% 1/10W 1	
		R670	6200RJ003A	Filter,Bead	HB-1S1608-121JT 120OHM 1.6X0.8	
		R671	6200RJ003A	Filter,Bead	HB-1S1608-121JT 120OHM 1.6X0.8	
		R675	0RH1000C622	Resistor,Chip	MCR03EZPJ101 100OHM 5% 1/10W 1	
		R682	0RH4701C622	Resistor,Chip	MCR03EZPJ472 4.7KOHM 5% 1/10W	
		R683	0RH4700C622	Resistor,Chip	MCR03EZPJ471 470OHM 5% 1/10W 1	
		R684	0RH3301C622	Resistor,Chip	MCR03EZPJ332 3.3KOHM 5% 1/10W	
		R685	0RH3301C622	Resistor,Chip	MCR03EZPJ332 3.3KOHM 5% 1/10W	
		R686	0RH3301C622	Resistor,Chip	MCR03EZPJ332 3.3KOHM 5% 1/10W	
		R687	0RH4701C622	Resistor,Chip	MCR03EZPJ472 4.7KOHM 5% 1/10W	
		R690	0RH0752C422	Resistor,Chip	MCR03EZPF750 75OHM 1% 1/10W 16	
		R691	0RH1003C622	Resistor,Chip	MCR03EZPJ104 100KOHM 5% 1/10W	
		R692	0RH0752C622	Resistor,Chip	MCR03EZPJ750 75OHM 5% 1/10W 16	
		R693	0RH0332C622	Resistor,Chip	MCR03EZPJ330 33OHM 5% 1/10W 16	
		R698	0RH1002C622	Resistor,Chip	MCR03EZPJ103 10KOHM 5% 1/10W 1	
		R6A1	0RH1003C622	Resistor,Chip	MCR03EZPJ104 100KOHM 5% 1/10W	
		R6A3	0RH3301C622	Resistor,Chip	MCR03EZPJ332 3.3KOHM 5% 1/10W	
		R6A4	0RH2200C622	Resistor,Chip	MCR03EZPJ221 220OHM 5% 1/10W 1	
		R6A5	0RH2200C622	Resistor,Chip	MCR03EZPJ221 220OHM 5% 1/10W 1	
		R6A6	0RH2200C622	Resistor,Chip	MCR03EZPJ221 220OHM 5% 1/10W 1	
		R6A7	0RH2200C622	Resistor,Chip	MCR03EZPJ221 220OHM 5% 1/10W 1	
		R6A8	0RH2200C622	Resistor,Chip	MCR03EZPJ221 220OHM 5% 1/10W 1	
		R6A9	0RH2200C622	Resistor,Chip	MCR03EZPJ221 220OHM 5% 1/10W 1	
		R6R1	0RH1501C622	Resistor,Chip	MCR03EZPJ152 1.5KOHM 5% 1/10W	
		R6R2	0RH3300C622	Resistor,Chip	MCR03EZPJ331 330OHM 5% 1/10W 1	
		R6R3	0RH1002C622	Resistor,Chip	MCR03EZPJ103 10KOHM 5% 1/10W 1	
		R6R4	0RH1002C622	Resistor,Chip	MCR03EZPJ103 10KOHM 5% 1/10W 1	
		R6R5	0RH1502C622	Resistor,Chip	MCR03EZPJ153 15KOHM 5% 1/10W 1	
		R6R6	0RH0000C622	Resistor,Chip	MCR03EZPJ000 0OHM 5% 1/10W 160	
		R6R7	0RH1001C622	Resistor,Chip	MCR03EZPJ102 1KOHM 5% 1/10W 16	
		R703	0RH1001C622	Resistor,Chip	MCR03EZPJ102 1KOHM 5% 1/10W 16	
		R705	0RH1001C622	Resistor,Chip	MCR03EZPJ102 1KOHM 5% 1/10W 16	
		R706	0RH0000C622	Resistor,Chip	MCR03EZPJ000 0OHM 5% 1/10W 160	
		R707	0RH0000C622	Resistor,Chip	MCR03EZPJ000 0OHM 5% 1/10W 160	
		R708	0RH0000C622	Resistor,Chip	MCR03EZPJ000 0OHM 5% 1/10W 160	
		R710	0RH0561C622	Resistor,Chip	MCR03EZPJ5R6 5.6OHM 5% 1/10W 1	
		R711	0RH1001C622	Resistor,Chip	MCR03EZPJ102 1KOHM 5% 1/10W 16	
		R712	0RH1001C622	Resistor,Chip	MCR03EZPJ102 1KOHM 5% 1/10W 16	
		R713	0RH1001C622	Resistor,Chip	MCR03EZPJ102 1KOHM 5% 1/10W 16	

S	AL	LOCA. NO.	PART NO.	DESCRIPTION	SPECIFICATION	REMARKS
		R714	0RH1001C622	Resistor,Chip	MCR03EZPJ102 1KOHM 5% 1/10W 16	
		R715	0RH2200C622	Resistor,Chip	MCR03EZPJ221 220OHM 5% 1/10W 1	
		R716	0RH2200C622	Resistor,Chip	MCR03EZPJ221 220OHM 5% 1/10W 1	
		R717	0RH6801C622	Resistor,Chip	MCR03EZPJ682 6.8KOHM 5% 1/10W	
		R718	0RH8201C622	Resistor,Chip	MCR03EZPJ822 8.2KOHM 5% 1/10W	
		R719	0RH1801C622	Resistor,Chip	MCR03EZPJ182 1.8KOHM 5% 1/10W	
		R720	0RH2700C622	Resistor,Chip	MCR03EZPJ271 270OHM 5% 1/10W 1	
		R721	0RH2701C622	Resistor,Chip	MCR03EZPJ272 2.7KOHM 5% 1/10W	
		R723	0RH6801C622	Resistor,Chip	MCR03EZPJ682 6.8KOHM 5% 1/10W	
		R724	0RH1801C622	Resistor,Chip	MCR03EZPJ182 1.8KOHM 5% 1/10W	
		R726	0RH8201C622	Resistor,Chip	MCR03EZPJ822 8.2KOHM 5% 1/10W	
		R727	0RH5601C622	Resistor,Chip	MCR03EZPJ562 5.6KOHM 5% 1/10W	
		R728	0RH4701C622	Resistor,Chip	MCR03EZPJ472 4.7KOHM 5% 1/10W	
		R729	0RH8201C622	Resistor,Chip	MCR03EZPJ822 8.2KOHM 5% 1/10W	
		R730	0RH6801C622	Resistor,Chip	MCR03EZPJ682 6.8KOHM 5% 1/10W	
		R732	0RH0752C422	Resistor,Chip	MCR03EZPF750 75OHM 1% 1/10W 16	
		R735	0RH0752C622	Resistor,Chip	MCR03EZPJ750 75OHM 5% 1/10W 16	
		R736	0RH0752C422	Resistor,Chip	MCR03EZPF750 75OHM 1% 1/10W 16	
		R737	0RH1801C622	Resistor,Chip	MCR03EZPJ182 1.8KOHM 5% 1/10W	
		R738	0RH0222C622	Resistor,Chip	MCR03EZPJ220 22OHM 5% 1/10W 16	
		R739	0RH1801C622	Resistor,Chip	MCR03EZPJ182 1.8KOHM 5% 1/10W	
		R740	0RH0682C422	Resistor,Chip	68 OHM 1 / 16 W 1608 1.00% D	
		R741	0RH0682C422	Resistor,Chip	68 OHM 1 / 16 W 1608 1.00% D	
		R744	0RH1003C622	Resistor,Chip	MCR03EZPJ104 100KOHM 5% 1/10W	
		R745	0RH1003C622	Resistor,Chip	MCR03EZPJ104 100KOHM 5% 1/10W	
		R746	0RH6801C622	Resistor,Chip	MCR03EZPJ682 6.8KOHM 5% 1/10W	
		R747	0RH8201C622	Resistor,Chip	MCR03EZPJ822 8.2KOHM 5% 1/10W	
		R753	0RH0682C622	Resistor,Chip	MCR03EZPJ680 68OHM 5% 1/10W 16	
		R755	0RH0222C622	Resistor,Chip	MCR03EZPJ220 22OHM 5% 1/10W 16	
		R757	0RH0752C422	Resistor,Chip	MCR03EZPF750 75OHM 1% 1/10W 16	
		R758	0RH0752C422	Resistor,Chip	MCR03EZPF750 75OHM 1% 1/10W 16	
		R759	0RH1001C622	Resistor,Chip	MCR03EZPJ102 1KOHM 5% 1/10W 16	
		R761	0RH0222C622	Resistor,Chip	MCR03EZPJ220 22OHM 5% 1/10W 16	
		R765	0RH0752C422	Resistor,Chip	MCR03EZPF750 75OHM 1% 1/10W 16	
		R768	0RH0752C422	Resistor,Chip	MCR03EZPF750 75OHM 1% 1/10W 16	
		R770	0RH0752C422	Resistor,Chip	MCR03EZPF750 75OHM 1% 1/10W 16	
		R771	0RH0752C422	Resistor,Chip	MCR03EZPF750 75OHM 1% 1/10W 16	
		R772	0RH0752C422	Resistor,Chip	MCR03EZPF750 75OHM 1% 1/10W 16	
		R773	0RH0752C422	Resistor,Chip	MCR03EZPF750 75OHM 1% 1/10W 16	
		R774	0RH0752C422	Resistor,Chip	MCR03EZPF750 75OHM 1% 1/10W 16	
		R775	0RH0752C422	Resistor,Chip	MCR03EZPF750 75OHM 1% 1/10W 16	
		R779	0RH5600C622	Resistor,Chip	MCR03EZPJ561 560OHM 5% 1/10W 1	
		R781	0RH0562C622	Resistor,Chip	MCR03EZPJ560 56OHM 5% 1/10W 16	
		R782	0RH0562C622	Resistor,Chip	MCR03EZPJ560 56OHM 5% 1/10W 16	
		R783	0RH2201C622	Resistor,Chip	MCR03EZPJ222 2.2KOHM 5% 1/10W	
		R784	0RH2201C622	Resistor,Chip	MCR03EZPJ222 2.2KOHM 5% 1/10W	
		R785	0RH1002C622	Resistor,Chip	MCR03EZPJ103 10KOHM 5% 1/10W 1	
		R786	0RH1001C622	Resistor,Chip	MCR03EZPJ102 1KOHM 5% 1/10W 16	
		R787	0RH4702C622	Resistor,Chip	MCR03EZPJ473 47KOHM 5% 1/10W 1	
		RA701	0RRZVTA0011	Resistor,Array	RCA86TRJ10R0 100OHM 5% 1/16W 4	
		RA702	0RRZVTA0011	Resistor,Array	RCA86TRJ10R0 100OHM 5% 1/16W 4	
*** PCB Assembly ***						
		A47	6871R-2398D	PCB Assembly	DVD100S ZORAN 888 NAD MODEL WI	
	▲	C101	624-088N	Capacitor,Film,Box	MPX104K2YL 0.1uF 10% 275V MPP	
	▲	C101	624-088S	Capacitor,Film,Box	MPX104K2YL 0.1uF 10% 275V MPP	ALTERNATE
	▲	C101	624-088J	Capacitor,Film,Box	ECQU2A104ML 0.1uF 20% 250V MPE	ALTERNATE
	▲	C101	624-088L	Capacitor,Film,DIP	435D 275V 104 K 100nF 10% 275V	ALTERNATE

S	AL	LOCA. NO.	PART NO.	DESCRIPTION	SPECIFICATION	REMARKS
		C103	0CZZR00011B	Capacitor,Unclassified	SAMYOUNG,SAMWHA,G-LUXON E-CAP	
		C104	0CZZR00011B	Capacitor,Unclassified	SAMYOUNG,SAMWHA,G-LUXON E-CAP	
		C105	0CQ1031Y519	Capacitor,Film,DIP	230S 2J 103 K 10nF 10% 630V MP	
		C107	0CE1054K638	Capacitor,AL,Radial	ESS105M050T1A5B07G 1uF 20% 50V	
		C108	0CN1040K948	Capacitor,Ceramic,Axial	CH UP050 F104Z-A-B Z 100nF -20	
		C109	0CE336BH638	Capacitor,AL,Radial	KME5.0TP25VB33M 33uF 20% 25V 7	
	⚠	C110	0CG1020U630	Capacitor,Unclassified	1000PF D 400V 20% E(Z5U) R	
	⚠	C111	0CG1020U630	Capacitor,Unclassified	1000PF D 400V 20% E(Z5U) R	
		C113	0CN2220K518	Capacitor,Ceramic,Axial	CH UP050 B222K-A-B Z 2.2nF 10%	
		C121	0CE108BF630	Capacitor,AL,Radial	KME4.0CC16VB1000M 1000uF 20% 1	
		C121	0CE108EF630	Capacitor,AL,Radial	KMG5.0MC16VB1000M 1000uF 20% 1	ALTERNATE
		C122	0CE3376D638	Capacitor,AL,Radial	SMS5.0TP10VB330M 330uF 20% 10V	
		C123	0CE108BF630	Capacitor,AL,Radial	KME4.0CC16VB1000M 1000uF 20% 1	
		C123	0CE108EF630	Capacitor,AL,Radial	KMG5.0MC16VB1000M 1000uF 20% 1	ALTERNATE
		C124	0CE3376D638	Capacitor,AL,Radial	SMS5.0TP10VB330M 330uF 20% 10V	
		C126	624-085D	Capacitor,AL,Radial	KME5.0TP50VB47M 47uF 20% 50V 1	
		C128	0CQ1042K409	Capacitor,Film,DIP	310M 1H 104 J 100nF 5% 50V PE	
		C153	0CE4754K638	Capacitor,AL,Radial	ESS475M050T1A5B07G 4.7uF 20% 5	
		C154	0CE4754K638	Capacitor,AL,Radial	ESS475M050T1A5B07G 4.7uF 20% 5	
		C155	0CE1074F638	Capacitor,AL,Radial	SRA5.0TP16VB100M 100uF 20% 16V	
		C156	0CN223AK948	Capacitor,Ceramic,Axial	CH UP050 F223Z-A-B Z 22nF -20T	
		C157	0CN223AK948	Capacitor,Ceramic,Axial	CH UP050 F223Z-A-B Z 22nF -20T	
		D101	0DR400709AA	Diode,Rectifier	10SP07U(SUF4007SP) 1KV 1.7V 5U	
		D101	0DD221009AA	Diode,Rectifier	ERA22-10 1KV 1.5V 10UA 10A 400	ALTERNATE
		D101	0DRRE00163A	Diode,Rectifier	1F7 1KV 1.3V 5UA 25A 500NSEC R	ALTERNATE
		D104	0DR104009BA	Diode,Rectifier	RL104F 400V 1.3V 5UA 30A 150NS	
		D104	0DRGF00239A	Diode,Rectifier	FR104E 400V 1.3V 5UA 30A 150NS	ALTERNATE
		D105	0DRGF00309A	Diode,Rectifier	1A5 600V 1.1V 5UA 25A - R1 TP	
		D105	0DRRE00203A	Diode,Rectifier	1A7 600V 1.1V 5UA 25A - R1 TP	ALTERNATE
		D106	0DRGF00309A	Diode,Rectifier	1A5 600V 1.1V 5UA 25A - R1 TP	
		D106	0DRRE00203A	Diode,Rectifier	1A7 600V 1.1V 5UA 25A - R1 TP	ALTERNATE
		D107	0DRGF00309A	Diode,Rectifier	1A5 600V 1.1V 5UA 25A - R1 TP	
		D107	0DRRE00203A	Diode,Rectifier	1A7 600V 1.1V 5UA 25A - R1 TP	ALTERNATE
		D108	0DRGF00309A	Diode,Rectifier	1A5 600V 1.1V 5UA 25A - R1 TP	
		D108	0DRRE00203A	Diode,Rectifier	1A7 600V 1.1V 5UA 25A - R1 TP	ALTERNATE
		D121	0DR810040BA	Diode,Schottky	ERC81-004L22 550MV 40V 3A 10US	
		D121	0DR158220AA	Diode,Schottky	1N5822 950MV 40V 3A - 250pF -	ALTERNATE
		D121	0DRGF00210A	Diode,Rectifier	1N5822 40V 950MV 2MA 80A - DO2	ALTERNATE
		D123	0DR302000AB	Diode,Rectifier	HER302 100V 1V 10UA 200A 50NSE	
		D125	0DR104009BA	Diode,Rectifier	RL104F 400V 1.3V 5UA 30A 150NS	
		D125	0DRGF00239A	Diode,Rectifier	FR104E 400V 1.3V 5UA 30A 150NS	ALTERNATE
		D151	0DS141489BB	Diode,Switching	1N4148(26MM) 1V 100V 150MA 500	
	⚠	FR101	0RM0221K634	Resistor,Cement	RWR02V-J2R20 2.2OHM 5% 2W 27X1	
		IC101	0IPMGIH005A	IC,PWM Controller	ICE3B0565 9.6TO26V - 25W DIP S	
	⚠	IC102	657-063A	Sensor,Position	LTV-817B 5V DIP BK PHOTO COUPL	
	⚠	IC102	6500RDB011B	Sensor,Position	K1010B 5V DIP BK 4PIN PHOTOCO	ALTERNATE
	⚠	IC102	6500RDT008A	Sensor,Position	LTV-817BN 5V DIP BK RGB PHOTO	ALTERNATE
		IC103	0IKE431000A	IC,Voltage Regulator	KIA431 36V 36V 700MW TO92 TP 3	
		IC103	0ISS431000A	IC,Voltage Regulator	KA431AZ 2.495TO36V 36V 770MW T	ALTERNATE
		IC103	0IPMGA0012A	IC,Voltage Regulator	AZ431 - - - TO92 TP 3P	ALTERNATE
		L101	6140RCC003J	Coil,RF	4.7 MH PEAKING COIL OWA 67 X 7	
		L102	6140RCC003J	Coil,RF	4.7 MH PEAKING COIL OWA 67 X 7	
		L121	633-088G	Coil,Choke	22KS 22uH - - 8X17MM LEAD -	
		L121	6140R-C011A	Coil,RF	6140R-C011A 22uH - - 8X17MM LE	ALTERNATE
		L122	633-088G	Coil,Choke	22KS 22uH - - 8X17MM LEAD -	
		L122	6140R-C011A	Coil,RF	6140R-C011A 22uH - - 8X17MM LE	ALTERNATE
		P101	6631R-E078H	Harness,Single	GIL-S-10 9073-10 ST 260mM 2.00	

S	AL	LOCA. NO.	PART NO.	DESCRIPTION	SPECIFICATION	REMARKS
▲		PW101	6630V90108A	Conector,Wafer	JE202-2L-03 2P 3.96MM 1R ANGLE	
		Q121	0TR127309AA	TR,Bipolar	KTA1273 PNP -5V -30V -30V -2A	
		Q122	0TR319809AC	Transistor Assembly	KTC3198 KTC3198 TP KEC - - -BL	
		Q122	0TR534309BA	TR,Bipolar	2SC5343L NPN 5V 60V 50V 150MA	ALTERNATE
		Q122	0TR319909AF	TR,Bipolar	KTC3199-BL NPN 5V 50V 50V 150M	ALTERNATE
		Q123	0TR320309AA	TR,Bipolar	KTC3203 NPN 5V 35V 30V 800MA 1	
		Q123	0TR534409AA	TR,Bipolar	2SC5344Y NPN 5V 35V 30V 800MA	ALTERNATE
		Q124	0TR103009AF	TR,Bipolar	KRA103M(KRA2203) PNP -40V 0V -	
		Q124	0TR220309AF	TR,Bipolar	SRA2203 PNP -40V - -50V -0.1A	ALTERNATE
		Q126	0TR320509AB	Transistor Assembly	KTC3205-Y(KTC2236A) KTC3205-Y(
		Q126	0TR232809AB	TR,Bipolar	KSC2328A-Y NPN 5V 30V 30V 2A 1	ALTERNATE
		R102	0RS0750K619	Resistor,Metal Oxide Film	SMR02R1JR750 750MOHM 5% 2W 8.6	
		R103	0RS5602K619	Resistor,Metal Oxide Film	SML02R0J56K0 56KOHM 5% 2W 8.6X	
		R105	0RD0392F608	Resistor,Carbon Film	RD-96S1J39R0 39OHM 5% 1/6W 3.2	
		R121	0RD1001F608	Resistor,Carbon Film	RD-96S1J1K00 1KOHM 5% 1/6W 3.2	
		R122	0RD1200F608	Resistor,Carbon Film	RD-96S1J120R 120OHM 5% 1/6W 3.	
		R123	0RD4702F608	Resistor,Carbon Film	RD-96S1J47K0 47KOHM 5% 1/6W 3.	
		R124	0RD1800F608	Resistor,Carbon Film	RD-96S1J180R 180OHM 5% 1/6W 3.	
		R125	0RD2201F608	Resistor,Carbon Film	RD-96S1J2K20 2.2KOHM 5% 1/6W 3	
		R126	0RD1001F608	Resistor,Carbon Film	RD-96S1J1K00 1KOHM 5% 1/6W 3.2	
		R127	0RN1001F408	Resistor,Metal Film	RN-96S1F1K00 1KOHM 1% 1/6W 3.2	
		R128	0RN3001F408	Resistor,Metal Film	RN-96S1F3K00 3KOHM 1% 1/6W 3.2	
		R130	0RD1002F608	Resistor,Carbon Film	RD-96S1J10K0 10KOHM 5% 1/6W 3.	
		R140	0RD2200F608	Resistor,Carbon Film	RD-96S1J220R 220OHM 5% 1/6W 3.	
		R143	0RD2200F608	Resistor,Carbon Film	RD-96S1J220R 220OHM 5% 1/6W 3.	
		R144	0RD1001F608	Resistor,Carbon Film	RD-96S1J1K00 1KOHM 5% 1/6W 3.2	
		R145	0RD1001F608	Resistor,Carbon Film	RD-96S1J1K00 1KOHM 5% 1/6W 3.2	
		R151	0RD4702F608	Resistor,Carbon Film	RD-96S1J47K0 47KOHM 5% 1/6W 3.	
		R152	0RD2202F608	Resistor,Carbon Film	RD-96S1J22K0 22KOHM 5% 1/6W 3.	
▲		T101	6170RNGW05P	TRANSFORMER,SMPS[COIL]	EE2532 SOOJUNG DV9000 HI END M	
▲		V101	656-004C	Varistor	SVC681D-10A 680V 10% 250pF 10M	
		ZD101	0DZ200009BB	Diode,Zener	MTZJT-7720B 20V 18.63TO19.56V	
		ZD101	0DZ202609AA	Diode,Zener	UZ-20BSB 20V 18.8TO19.68V 30OH	ALTERNATE
		ZD102	0DZ622609AA	Diode,Zener	GDZJ6.2B 6.2V 5.96TO6.27V 60OH	
		ZD102	0DZ622609BB	Diode,Zener	UZ-6.2BSB 6.2V 5.99TO6.24V 30O	ALTERNATE
		ZD151	0DZ132609AB	Diode,Zener	GDZJ13A(26mm) 13V 12.11TO12.75	
		ZD151	0DZ132609BB	Diode,Zener	UZ-13BSA 13V 12.18TO12.71V 13O	ALTERNATE
		ZD152	0DZ560009CA	Diode,Zener	MTZJT-775.6B 5.6V 5.45TO5.73V	
*** Frame Assembly ***						
		A44	3141R-D083W	Frame Assembly	DVD DVN156EH HA6ENNT MAIN(NAD)	
		260	3140R-D020E	Chassis	PRESS SECC 0.6 DVN156 (NAD) PR	NSP
		261	5040R-5040C	Damper	CUTTING RUBBER DVD DVN8000 OTH	
		320	3720R-D145W	Panel,Rear	PRESS SECC 0.8 DVD DVN156EH HA	
		467	1SZZR-0097N	Screw,Customized	- + 3MM 8MM MSWR FZB SIN JIN	
*** Cable,Assembly ***						
		810	6851R-0074D	Cable,Assembly	1WAY YELLOW 1.2M + 2WAY R/W 1.	
		811	6850R-PAA2F	Cable,Assembly	RCA PLUG RCA PLUG 1.2M 1P YELL	
		812	6850R-PBA2H	Cable,Assembly	RCA PLUG RCA PLUG 1.2M 2P RED/	
*** PCB Assembly ***						
		A48	6871R-1807D	PCB Assembly	DN19 ZORAN 888 NAD MODEL ONLY	
		C346	0CH1102K562	Capacitor,Ceramic,Chip	0603B102K500CT 1nF 10% 50V X7R	
		C347	0CH1102K562	Capacitor,Ceramic,Chip	0603B102K500CT 1nF 10% 50V X7R	
		CN301	6630XE00115	Conector,FFC/FPC/PIC	04-6232-015-010-000 15P 1.00MM	
		CN302	6630XE00112	Conector,FFC/FPC/PIC	JE500-B1.0-T12 12P 1.00MM FFC	
		JK302	6612M00003E	Jack,Scart	RGB-16C 21P 21P 3.81MM ANGLE D	
		Q3A1	0TR103009AA	TR,Bipolar	KRC103S-T1 NPN 40V - 50V 100MA	
		Q3A1	0TRAU80002A	TR,Bipolar	SRC1203S NPN 40V - 50V 100MA 5	ALTERNATE

S	AL	LOCA. NO.	PART NO.	DESCRIPTION	SPECIFICATION	REMARKS
		R3A1	0RH1001C622	Resistor,Chip	MCR03EZPJ102 1KOHM 5% 1/10W 16	
		R3A2	0RH1003C622	Resistor,Chip	MCR03EZPJ104 100KOHM 5% 1/10W	
		R3A3	0RH8200C622	Resistor,Chip	MCR03EZPJ821 820OHM 5% 1/10W 1	
		R3A5	0RH2200C622	Resistor,Chip	MCR03EZPJ221 220OHM 5% 1/10W 1	
		R3A6	0RH2200C622	Resistor,Chip	MCR03EZPJ221 220OHM 5% 1/10W 1	
		R3A7	0RH1003C622	Resistor,Chip	MCR03EZPJ104 100KOHM 5% 1/10W	
		R3A8	0RH1003C622	Resistor,Chip	MCR03EZPJ104 100KOHM 5% 1/10W	